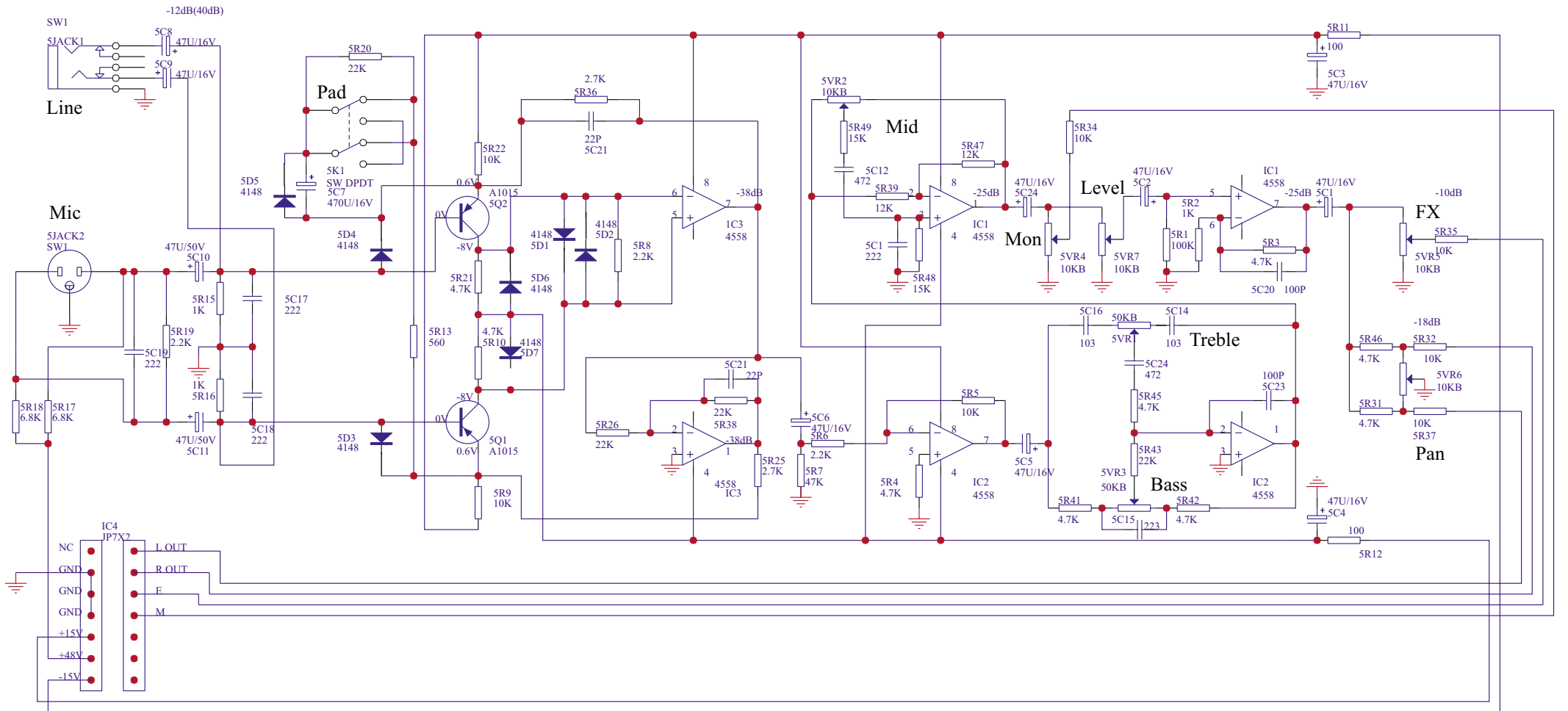


Laney

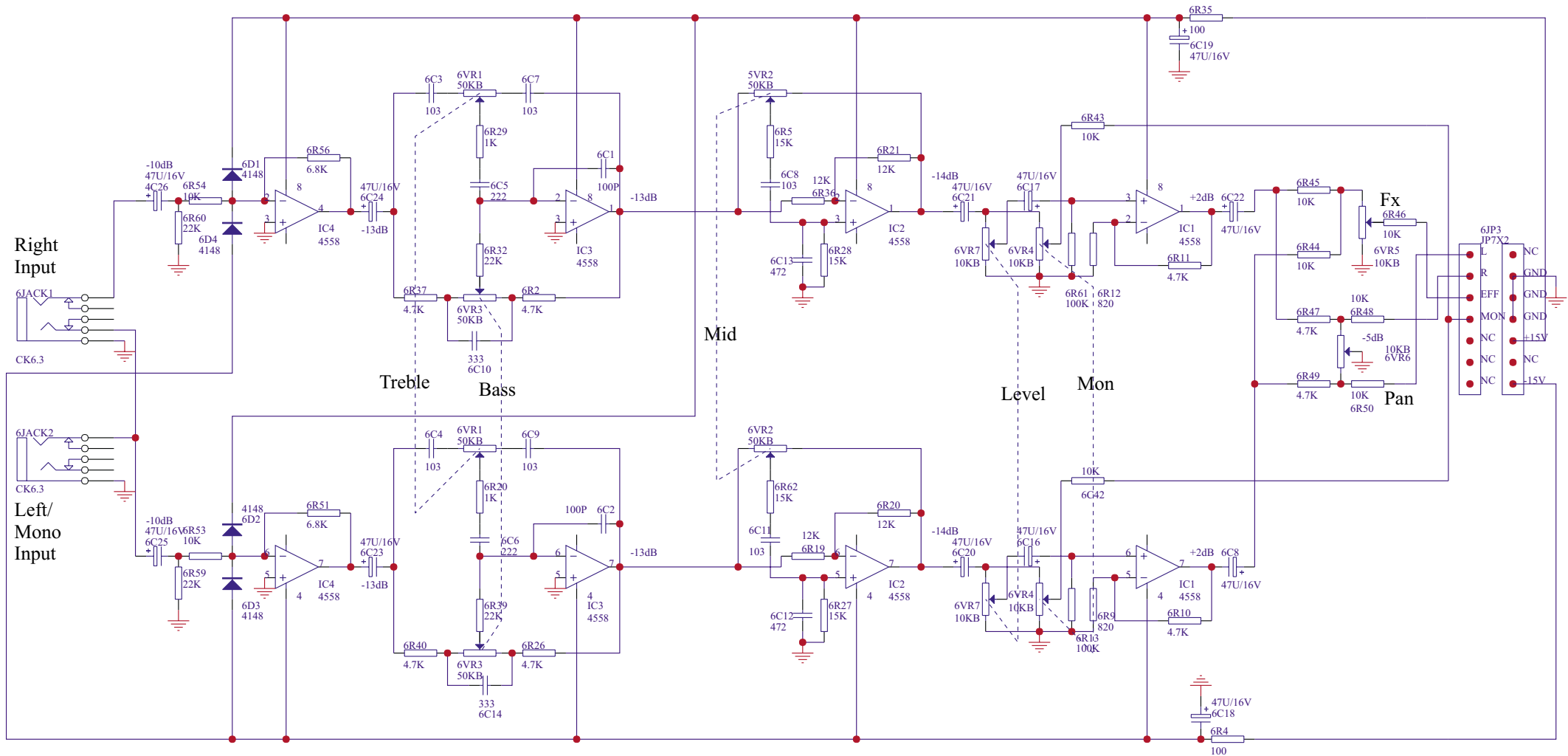
Classic British Amplification

Newlyn Road, Cradley Heath, West Midlands. B64 6BE
www.laney.co.uk

CD850S
Service Information

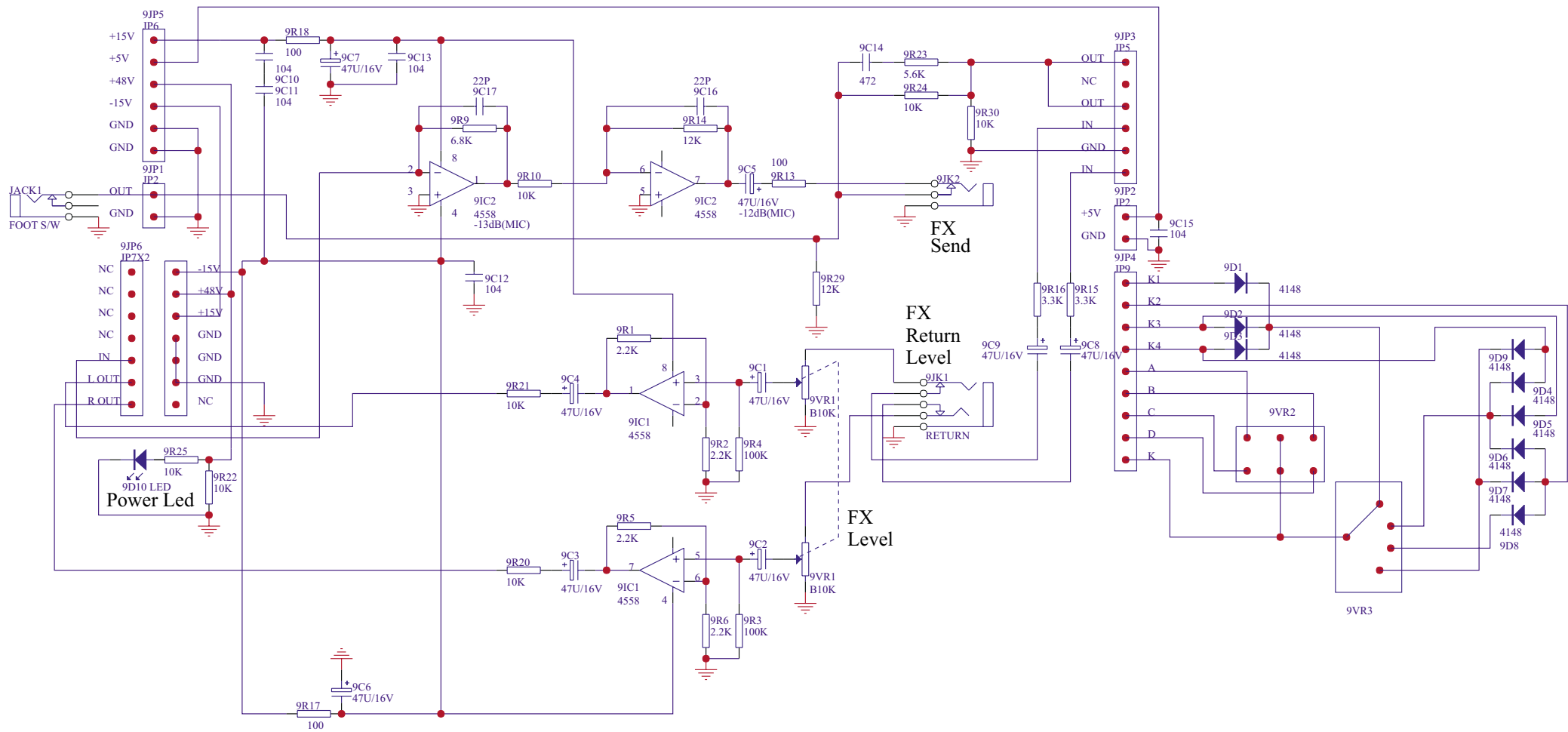


Laney
CD850S Input Circuit
 12/05/2003
 SK.A97.095

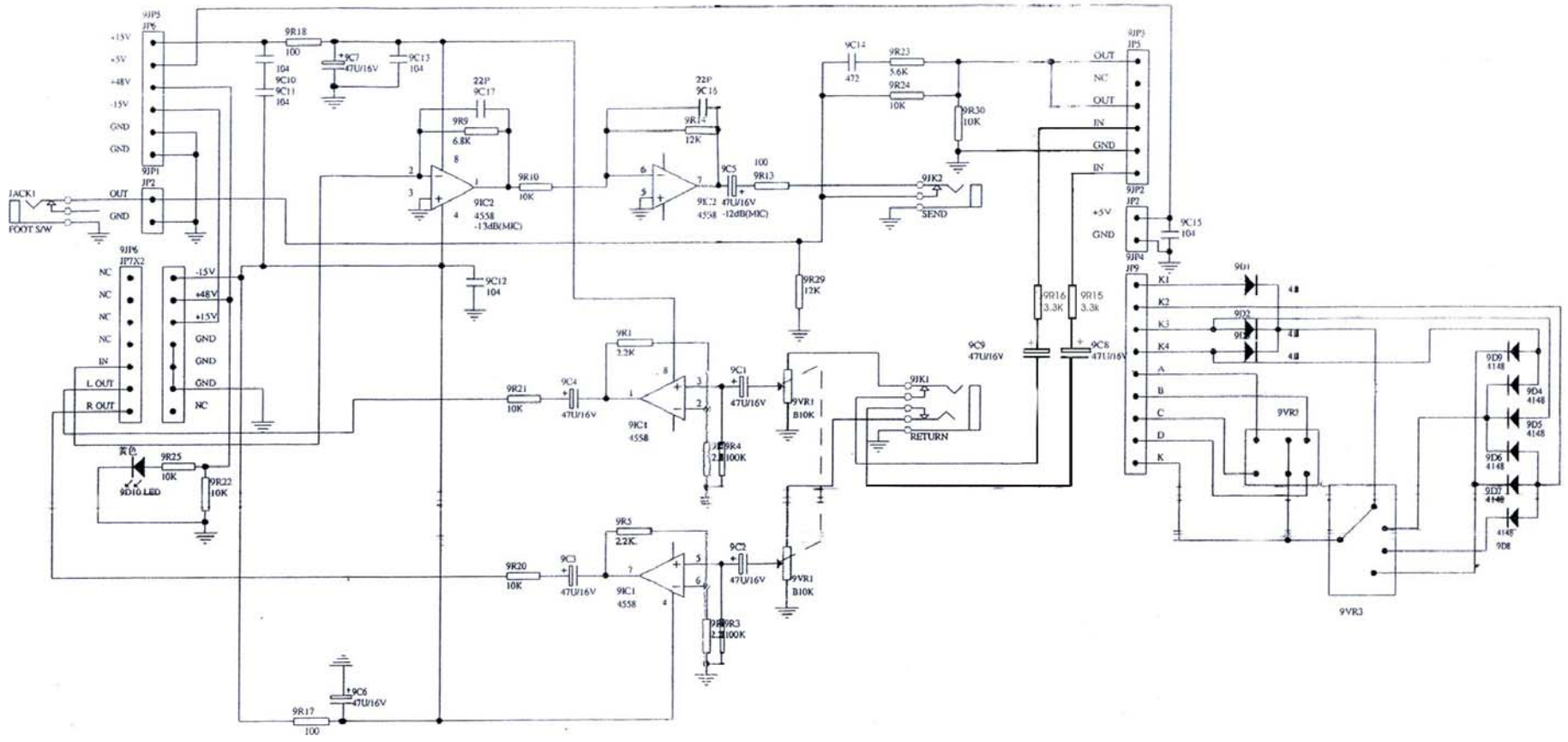


Laney CD850S Stereo Input Circuit

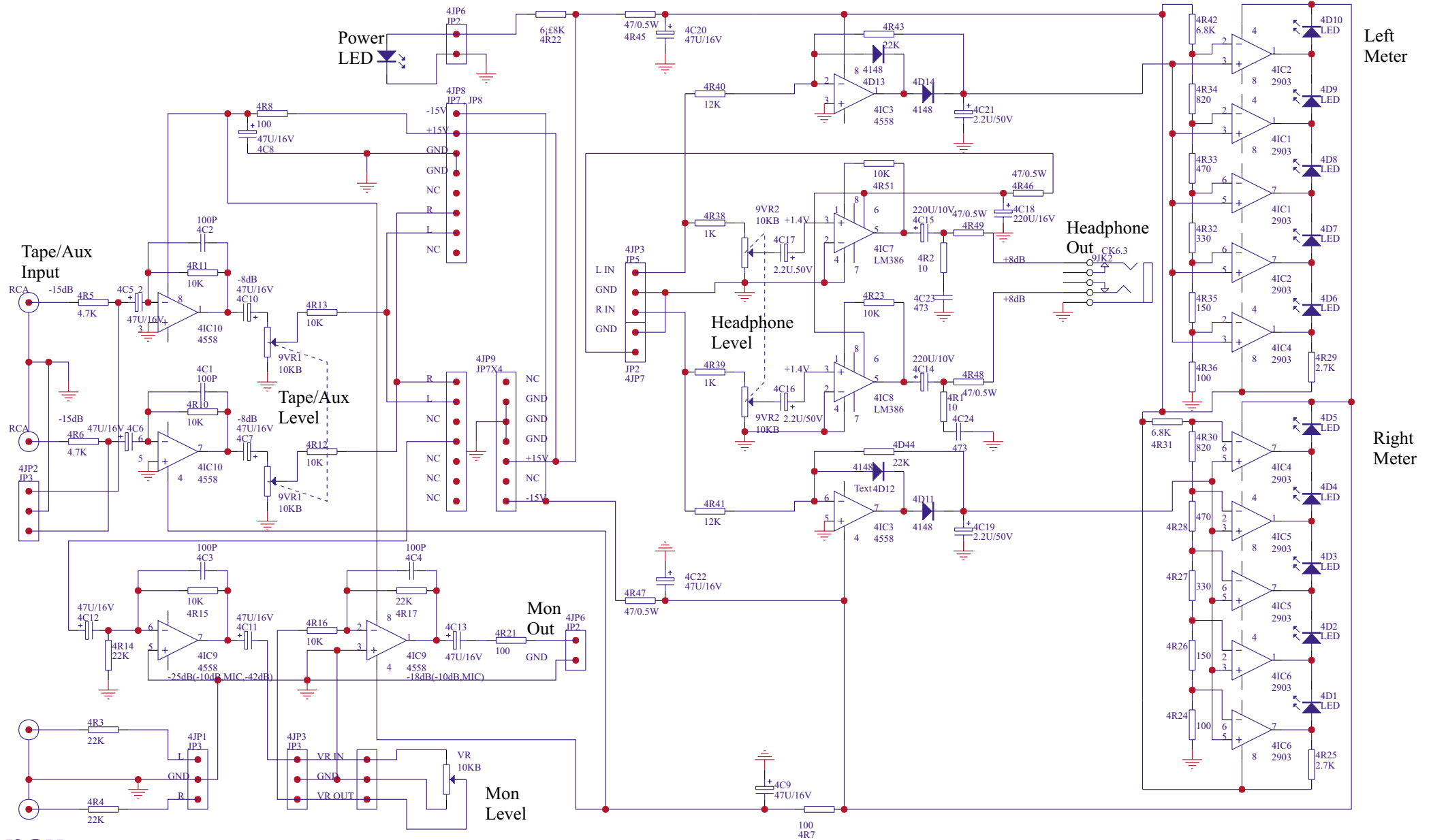
12/05/2003
SK.8.A97.096



Laney
CD850S Fx Control Circuit
 12/05/2003
 SK.8.A97.101 SK.8.A97.107

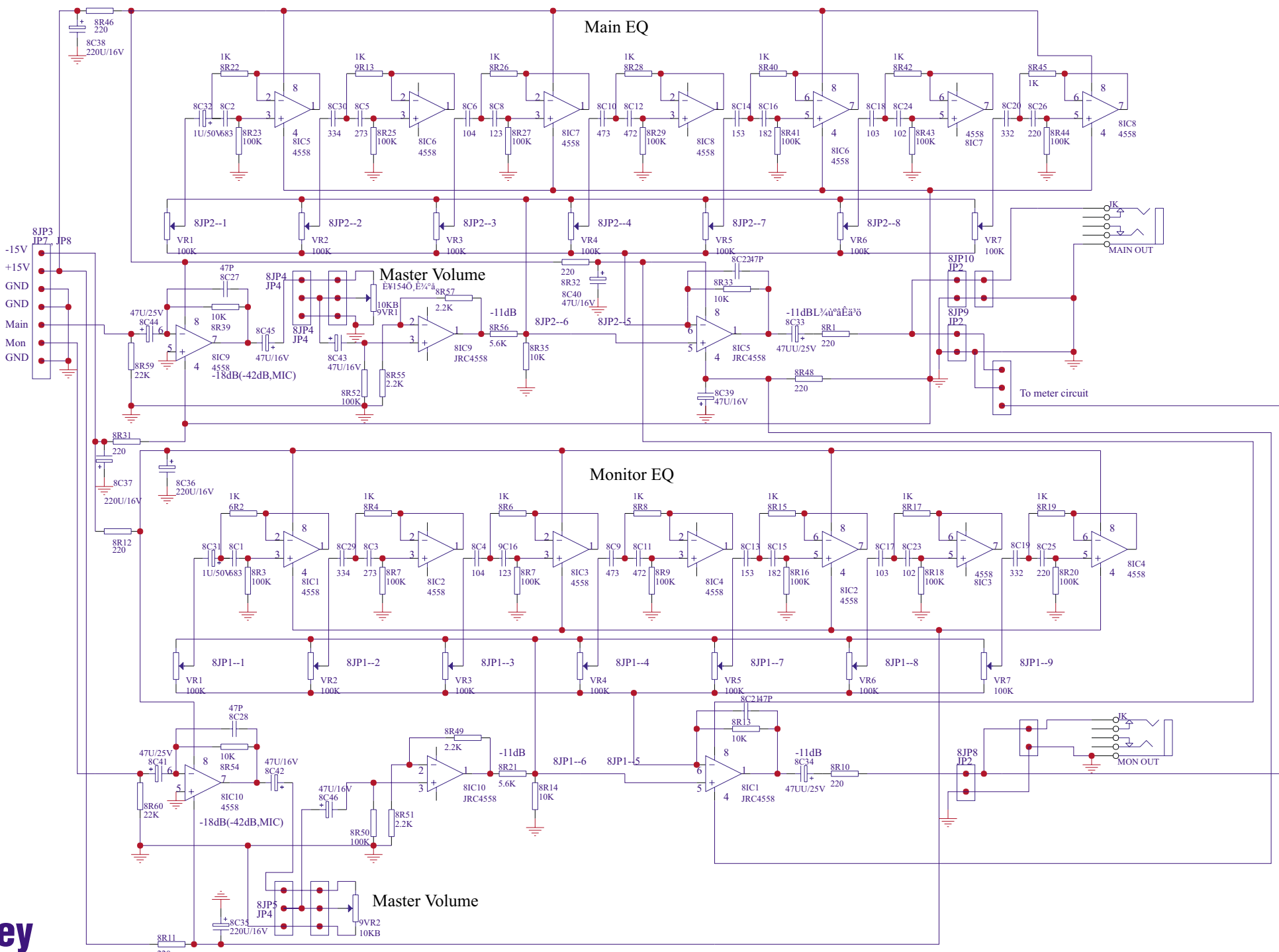


Laney
CD850S FX control Circuit
26/6/3
SK18.A97.101 SK18.A97.107
 fitted to units after Jan 2003



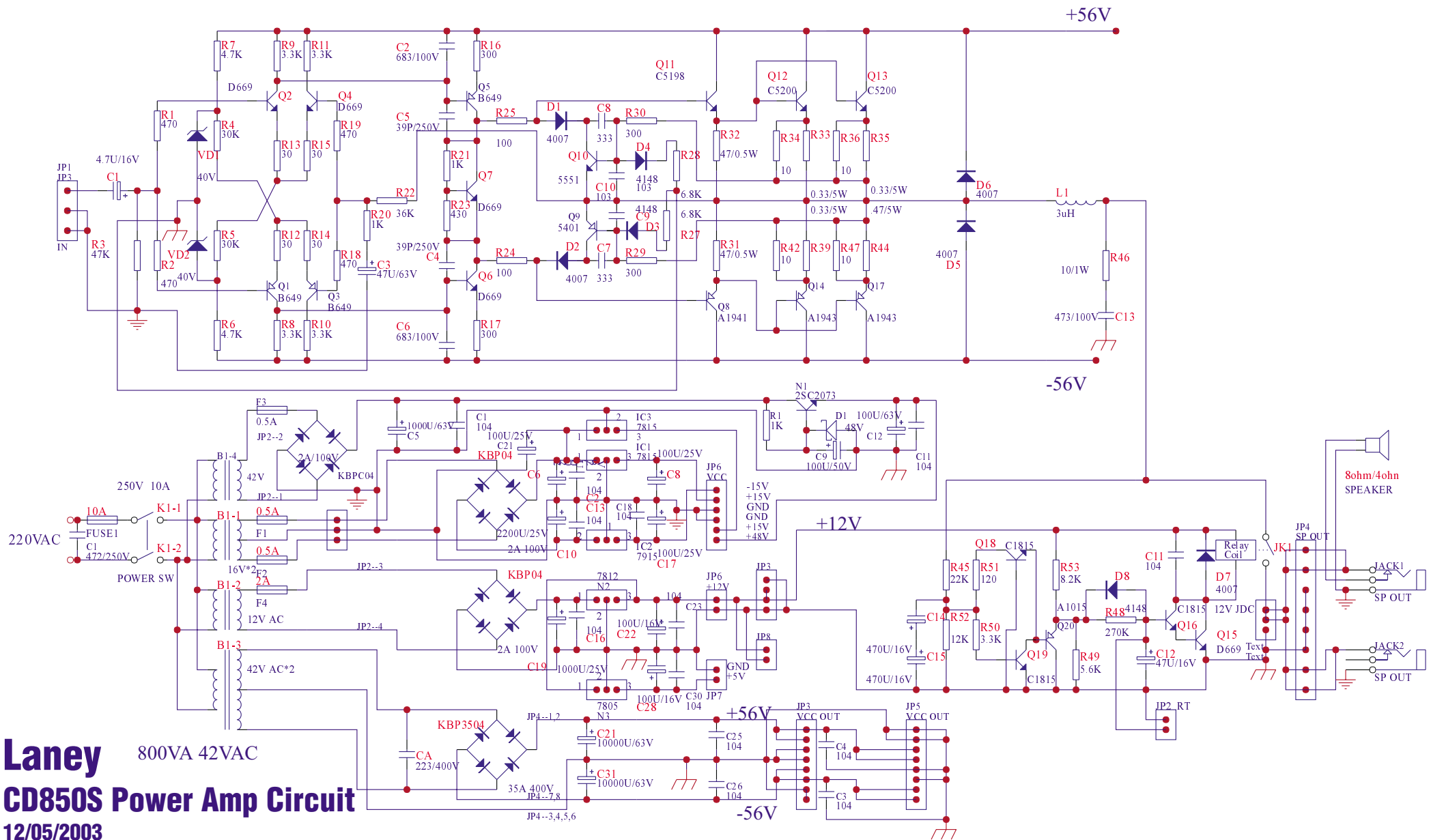
Laney CD850S Meter / Tape input Circuit

12/05/2003
SK.8.A97.102



Laney
CD850S Graphic Eq Circuit

12/05/2003 SK.8.A97.145 SK.8.A97.149 SK.9.A97.152



Laney 800VA 42VAC
CD850S Power Amp Circuit

- 12/05/2003
- SK.8.A97.99
- SK.8.A97.104
- SK.8.A97.105
- SK.8.A97.106