

CK165

Service Information

Laney
Classic British Amplification

Newlyn Road, Cradley Heath, West Midlands. B64 6BE
www.laney.co.uk

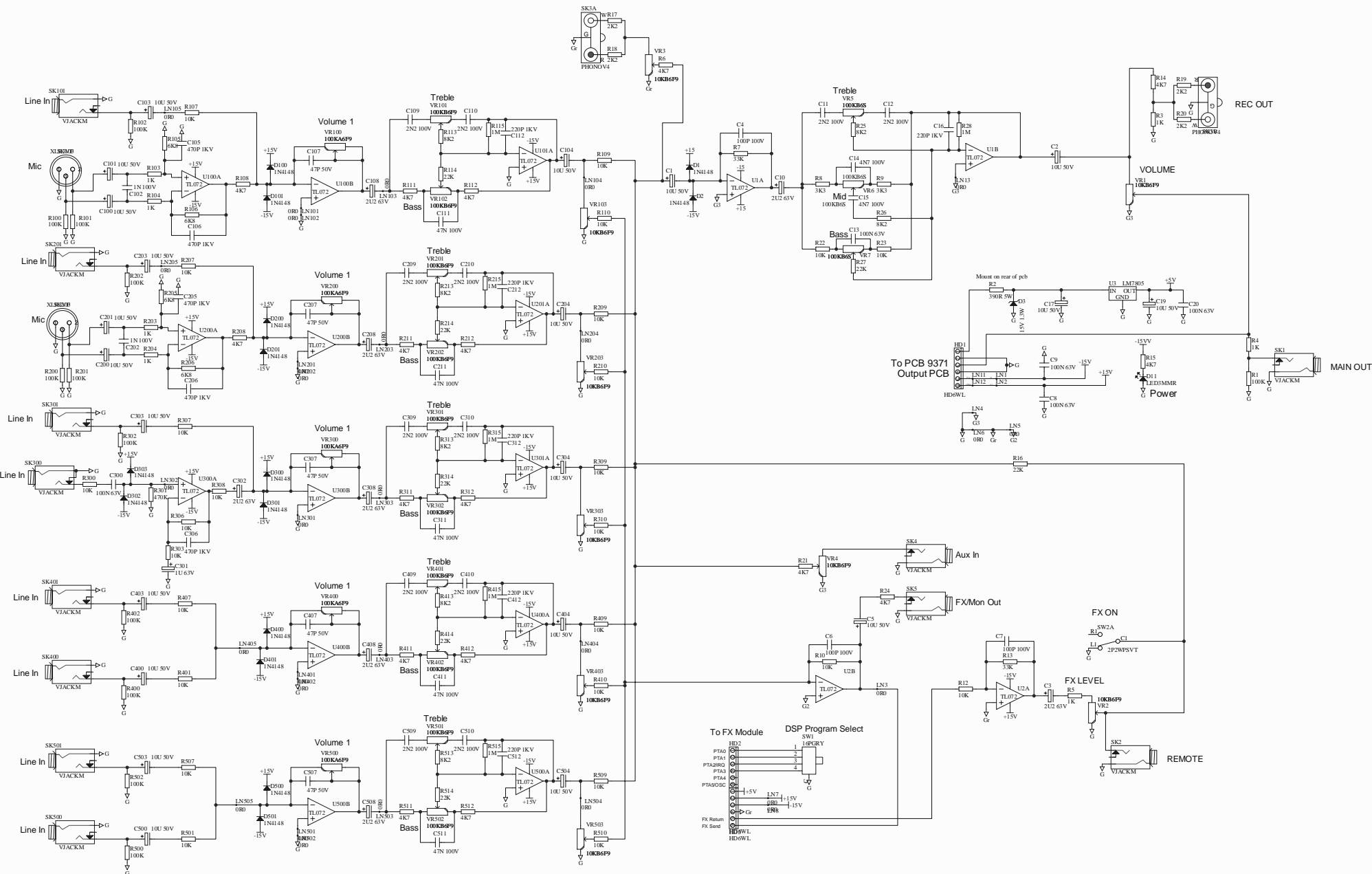
CHANNEL1

CHANNEL2

CHANNEL3

CHANNEL4

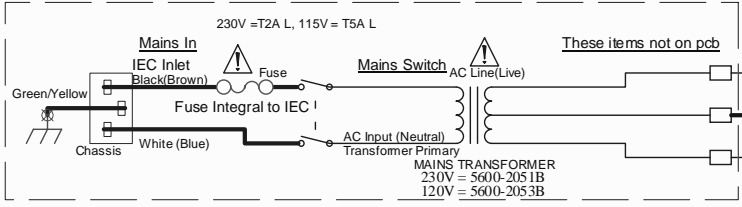
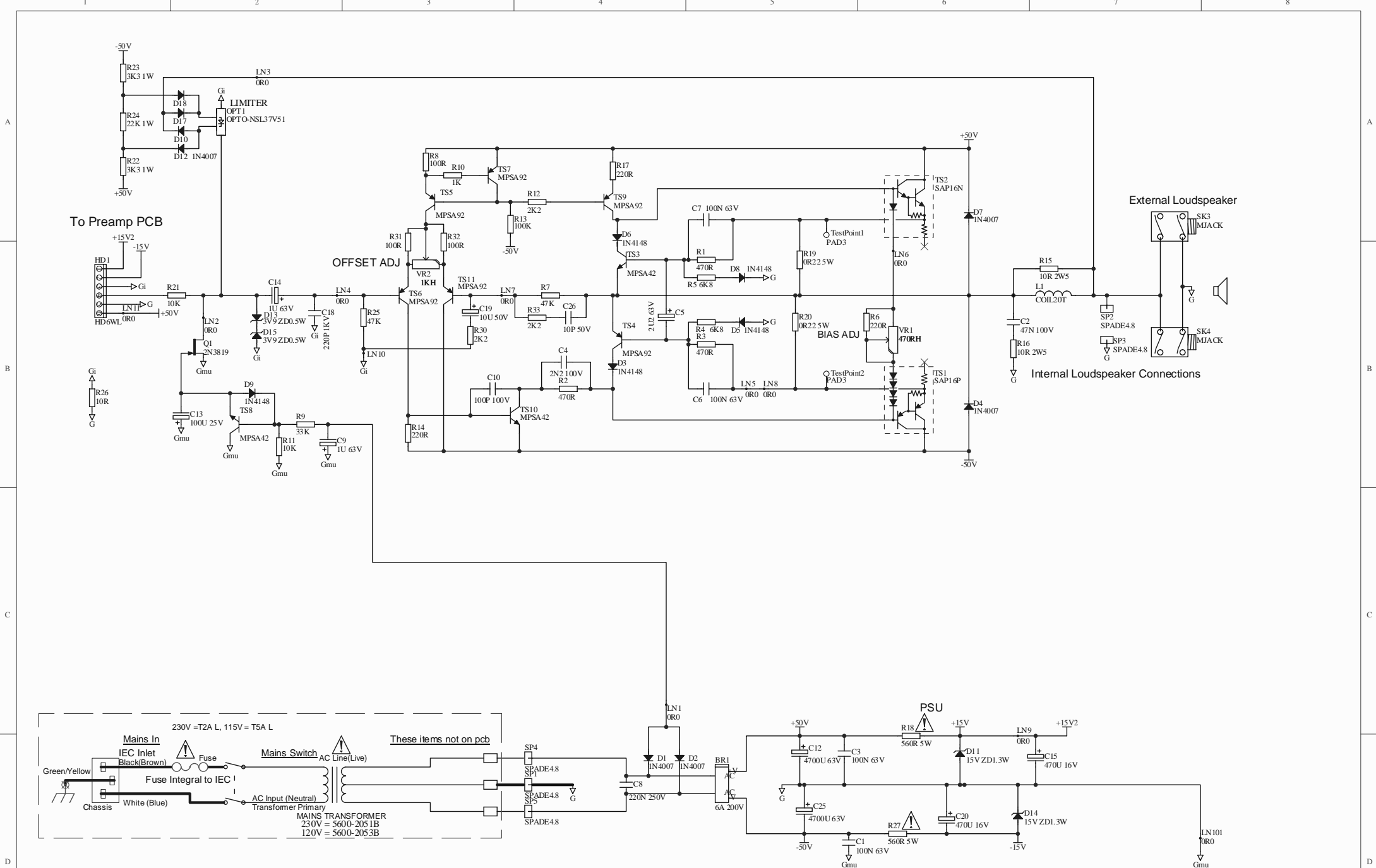
CHANNEL5



Flame proof resistor
Must only be replaced with same type and rating

Indicates safety critical component
Must only be replaced with approved type





NOTE:
 Set VR5 to give 10mV across TP1 and TP2
 Refer to service manual before adjusting bias preset

- Flame proof resistor
Must only be replaced with same type and rating
- Indicates safety critical component
Must only be replaced with approved type

BLT Industries		Title CK165 OUTPUT	
		Size A3	Number 9400
Date 04/12/2003		Revision 3	Sheet 1 of 1
File C:\Documents and Settings\...9400_3.Sch		Drawn By: Rich Thompson	