

Laney

Concept

CPC10 Powered Monitor
Service Information

**A new Concept
for a new millennium**

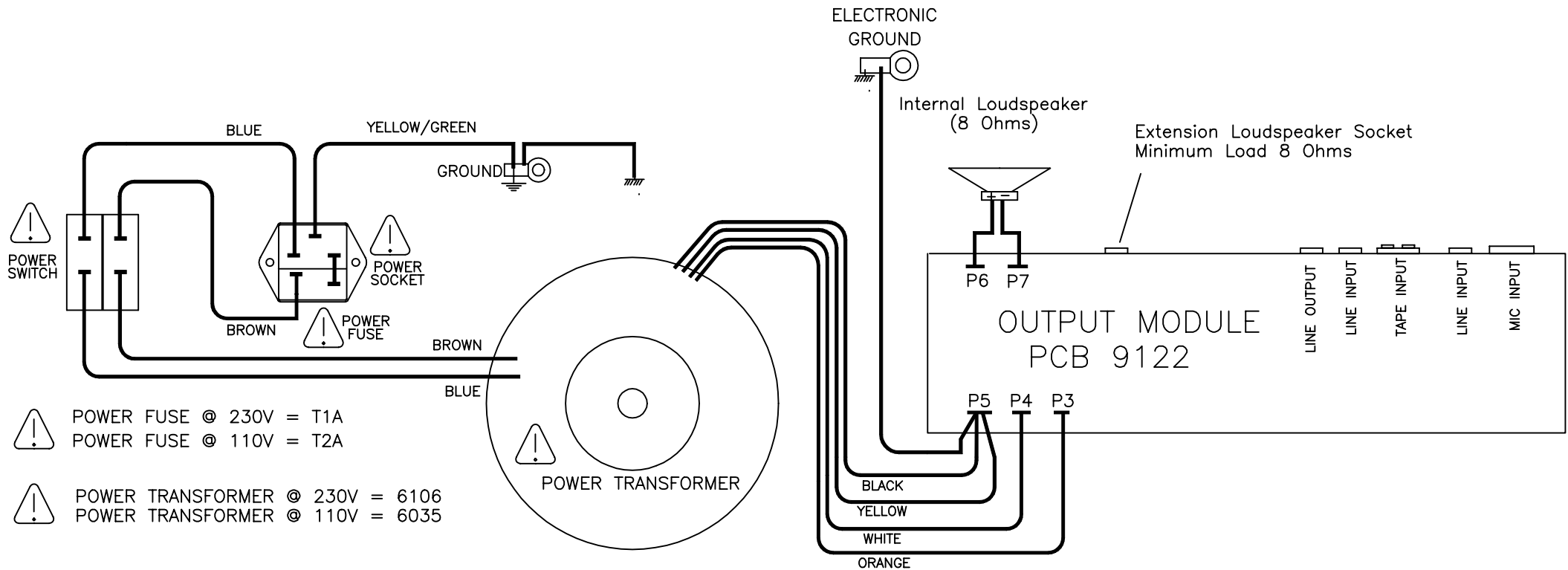
Part Number - SM3031

Laney

Concept

Contents

- 1.DWG 2612 Service Schematic**
- 2.DWG 2615 Mains Wiring**
- 4.DWG 9122 Circuit Diagram (Issue 2)**
- 5.PCB Assembly list**
- 6.Final Assembly List**
- 7.Cabinet Assembly List**
- 8.Contact**

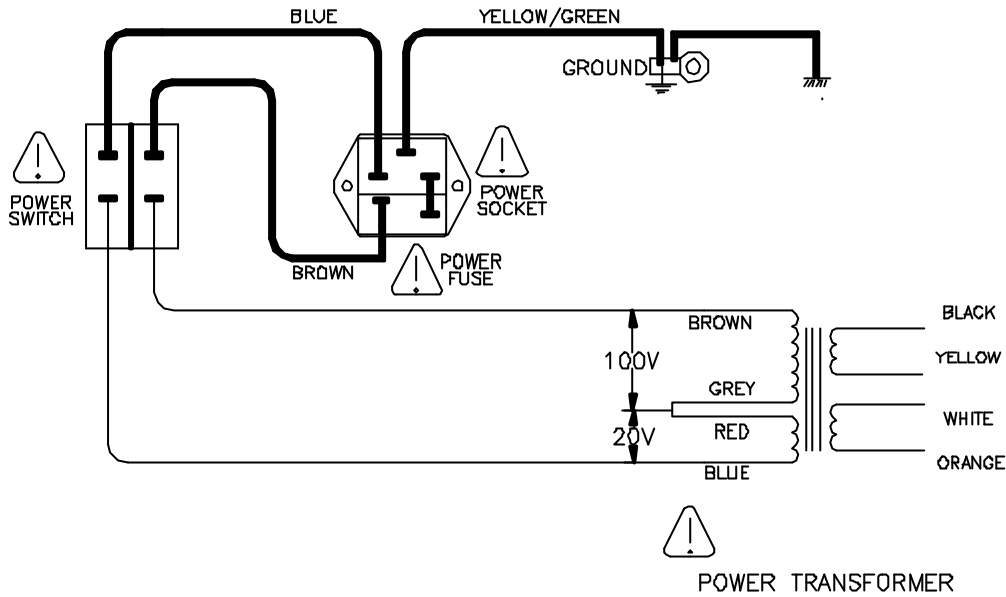
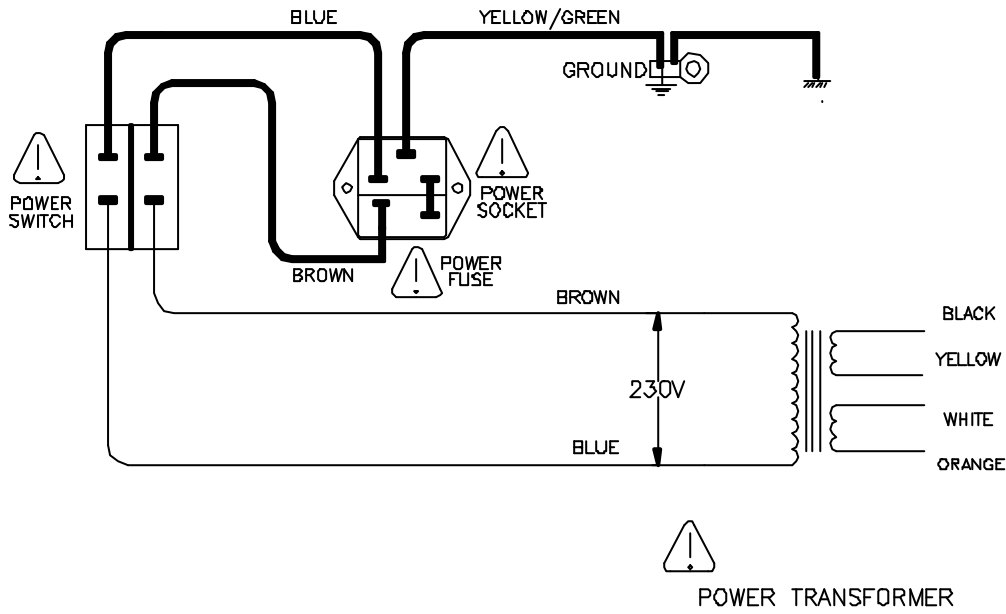


- ⚠ POWER FUSE @ 230V = T1A
- ⚠ POWER FUSE @ 110V = T2A
- ⚠ POWER TRANSFORMER @ 230V = 6106
- ⚠ POWER TRANSFORMER @ 110V = 6035

⚠ =ONLY REPLACE WITH SAME TYPE AND RATING

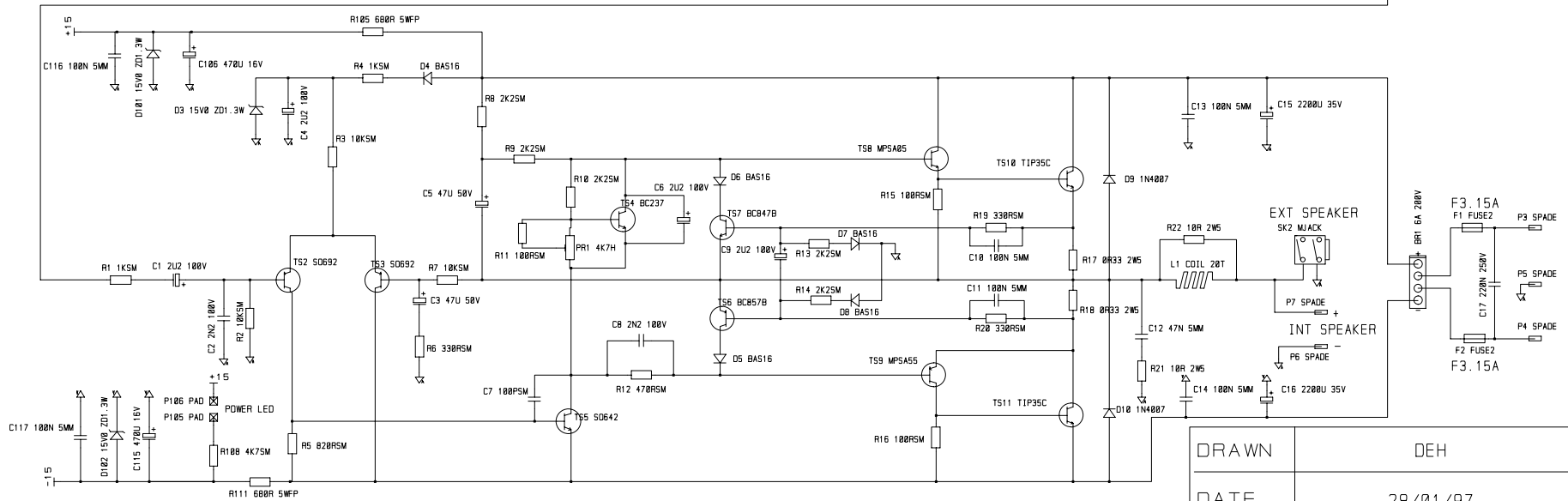
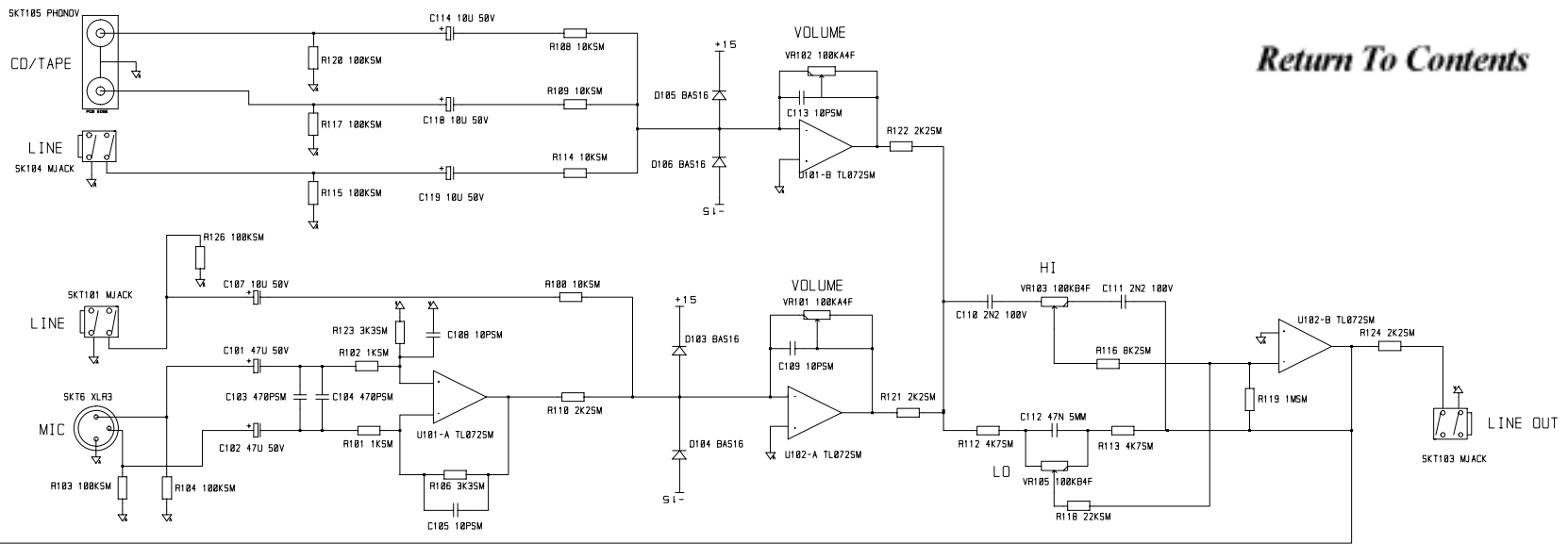
ISSUE	DESCRIPTION	APPD.	DATE	TITLE	DRAWN	TRACED	CHECKED	APPROVED	DATE
				CPC10 SERVICE DIAGRAM	R.J.F				21/03/97
				PART No	DRAWING No.		2612		

BLT
Industries Ltd.



⚠ =ONLY REPLACE WITH SAME TYPE AND RATING

ISSUE	DESCRIPTION	APPD.	DATE	TITLE	DRAWN	TRACED	CHECKED	APPROVED	DATE	
				<p align="center">BLT Industries Ltd.</p>	<p align="center">MAINS WIRING FOR TRANSFORMER</p>	R.J.F			28/03/97	
							DRAWING No.		2615	



DRAWN	DEH
DATE	28/01/97
TITLE	CPC10 OUTPUT
DRW. NO.	9122_2

ISSUE	2 14/02/97	CHANGE NOTE 103 18/04/97		
TYPE	LAYOUT CHANGE	R8/9 1K TO 2K2 R4 470R TO 1K		

Assembly List For (008443) PCB Assembly

Stock Code	Description	Qty Req
1300	ORO SHORTING LINK	9
1303	100R 5% RESISTOR	3
1304	820R 5% RESISTOR	1
1305	2K2 5% RESISTOR	7
1306	10K 5% RESISTOR	7
1309	1M 5% RESISTOR	1
1310	100K 5% RESISTOR	6
1311	470R 5% RESISTOR	2
1312	4K7 5% RESISTOR	2
1314	8K2 5% RESISTOR	1
1316	22K 5% RESISTOR	1
1326	3K3 5% RESISTOR	3
1327	1K 5% RESISTOR	5
1329	330R 5% RESISTOR	3
1500	10R 2.5W RESISTOR	2
1705	680R 5W RESISTOR	2
1717	0R33 2.5W RESISTOR	2
1920	ZERO OHM RESISTOR	4
2004	47UF 50V RADIAL	5
2013	10UF 50V CAPACITOR	4
2017	2200UF 35V RADIAL	2
2020	470UF 16V RADIAL	2
2024	2.2UF 63V RADIAL	3
2200	220NF 100V 10MM	1
2415	2.2NF 100V 5mm	4
2419	100NF 63V 5mm	6
2425	47NF 100V 5mm	2
2601	10PF 50V 10% COG	3
2603	100PF 50V 10% COG	1
2605	470PF 50V 10% COG	2
3000	1N4007 DIODE	2
3014	15V 1.3W ZENER	3
3016	6A 200V BRIDGE	1
3033	3mm LED RED	1
3405	BC237 TRANSISTOR	1
3414	MPSA05 TRANSISTOR	1
3415	MPSA55 TRANSISTOR	1
3500	BAS16 TRANSISTOR	9
3501	SO642 TRANSISTOR	1
3502	SO692 TRANSISTOR	2
3503	BC847B TRANSISTOR	1
3504	BC857B TRANSISTOR	1
3508	34072 IC (SMD TL072)	2
4018	4K7 HORIZ PRESET	1
4083	4mm 100K LIN POT	2
4095	4mm 100K LOG POT	2
5002	MONO JACK SOCKET	4
5006	20 TURN COIL	1
5022	PCB FUSE CARRIER	2
5038	1/4" SPADE TERMINAL	5
5054	XLR SOCKET FEMALE	1
5058	STEREO PHONO SOCKET	1
9122	CPC10 PCB	1

Assembly List For (007416) Final Assembly

Stock Code	Description	Qty Req
3618	TIP35C TRANSISTOR	2
5005	NEW TYPE MAINS SOCKET	1
5011	TO3P WASHER	2
5511	5MM SOLDER TAG	2
5527	20mm F3.15A FUSE	2
5530	20mm T1A FUSE	1
5558	100mm TIE WRAP	3
5646	KNOB 4MM GREY/RED	2
5647	KNOB 4MM GREY/BLUE	2
8443	PCB Assembly	1
8757	CPC10 MAINS SWITCH	1
9150	3mm HEX NUT	2
9151	3mm INT SHAKEPROOF	2
9160	4mm HEX NUT	1
9161	4mm INT. SHAKEPROOF	2
9162	4*12mm PAN POZI	1
9171	M5 INT SHAKEPROOF	2
9173	5*12mm PAN POZI	1
9175	M6 HEX NUT	1
9181	5mm BRASS HEX NUT	1
9191	M5 W TYPE CAGE NUT	4
9204	NO 4*1/4 PLASTITE	3
9214	6*50mm CUP SQUARE	1
9228	3*12 ZINC PAN POZI	2
9229	8*3/8 FH POZI	2
540038	EARTH WARNING LABEL	1
584063	6mm SPLIT WASHER	1
588006	POP RIVET (BLACK)	4
588042	INSULATING BUSH	2
8P-8646	CP10 SINK BRACKET	1
8P-8648	CPC10 FACIA	1
8P-8837	24mm PLAIN WASHER	1
8P-9227	6MM PLAIN WASHER	1
8T-6106	CP10 65W 230V MAINS	1

Assembly ListFor (20407) Cabinet Assembly

Stock Code	Description	Qty Req
10050	SMALL CORNER	8
10055	PLASTIC CABINET FOOT	4
10057	SMALL LANEY BADGE	2
10100	STRAP HANDLE	1
10200	M5 x 10mm TEENUT	6
10202	5mm X 25mm CSK POZI	2
10204	5mm X 25mm PAN POZI	4
10205	NO.8 X 5/8" ROUND	4
10207	NO.6 X 5/8" CSK POZI	4
10224	35mm FINISHED NAILS	35
10225	STAPLES 97/12	6
10231	No8x1/2" FLANGE POZI	4
10232	NO10x1 1/2 FLANGE HD	5
10233	M5*30 FLANGE POZI BK	2
10234	No 8 X 3/4 CSK POZI	14
10237	NO8 X 1 1/4 PAN PO	2
10240	10 * 1 CSK POZI	4
10242	No 8*16mm SPIRE CLIP	2
10243	NO4*1/2 TYPE B CSK	2
10244	FLAT SPIRE CLIP	2
10256	8*1 FLANGE POZI	4
10301	18mm CHIPBOARD	0
10316	GRANITE VYNHYDE	0
10512	J44 HORN KSN1005A	1
10600	32/18 STAPLES	12
10621	POLY. BAG 30(0) X 36	1
10629	MASKING TAPE 1.5"	0
10884	CARTON CC10	1
10980	GLUE/PAINT COST .75	1
41007	INVADER 10P708	1
541004	HC25/50 4.8 FASTON	6
541051	1/4" SML RECEPTACLE	2
8G-CC10	FRONT GRILL CC10	1

Concept

Laney

**Newlyn Road
Cradley Heath
West Midlands
B64 6BE
U.K.**

<http://www.laney.co.uk>