

Laney

Concept

CPC12 Powered Monitor
Service Information

**A new Concept
for a new millennium**

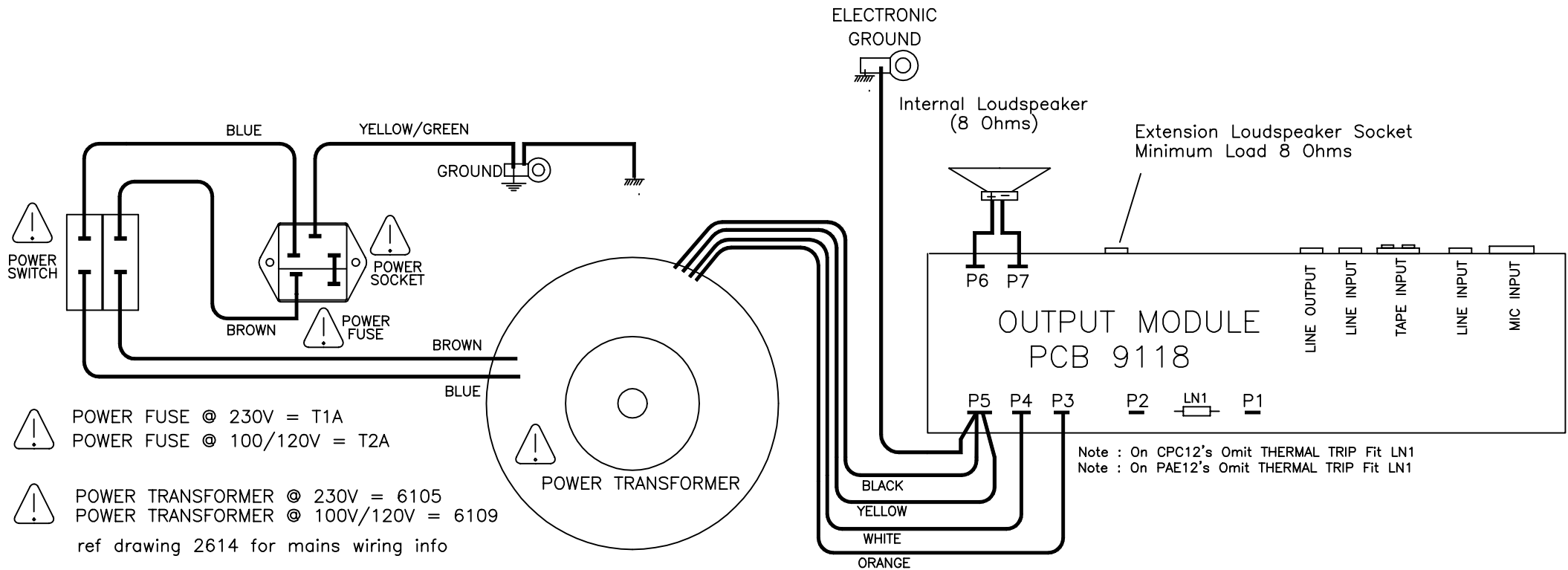
Part Number - SM3032

Laney

Concept

Contents

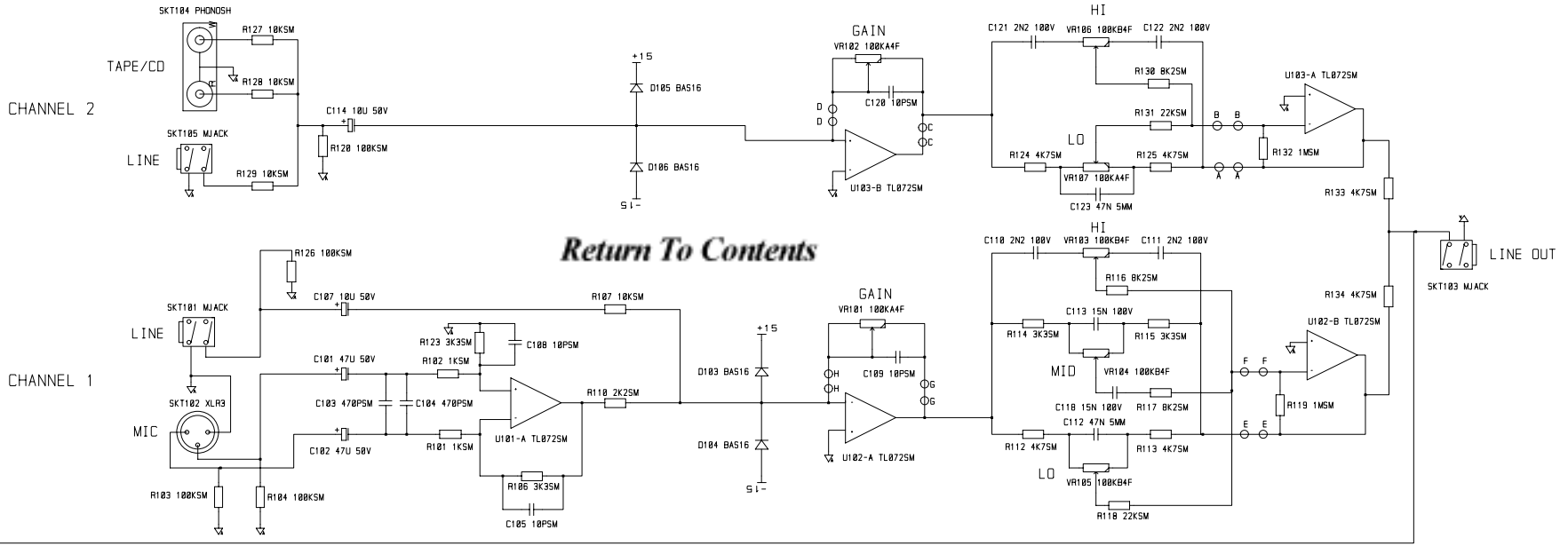
- 1.DWG 2613 Service Schematic**
- 2.DWG 2615 Mains Wiring**
- 4.DWG 9118 Circuit Diagram (Issue 2)**
- 5.PCB Assembly list**
- 6.Final Assembly List**
- 7.Cabinet Assembly List**
- 8.Contact**



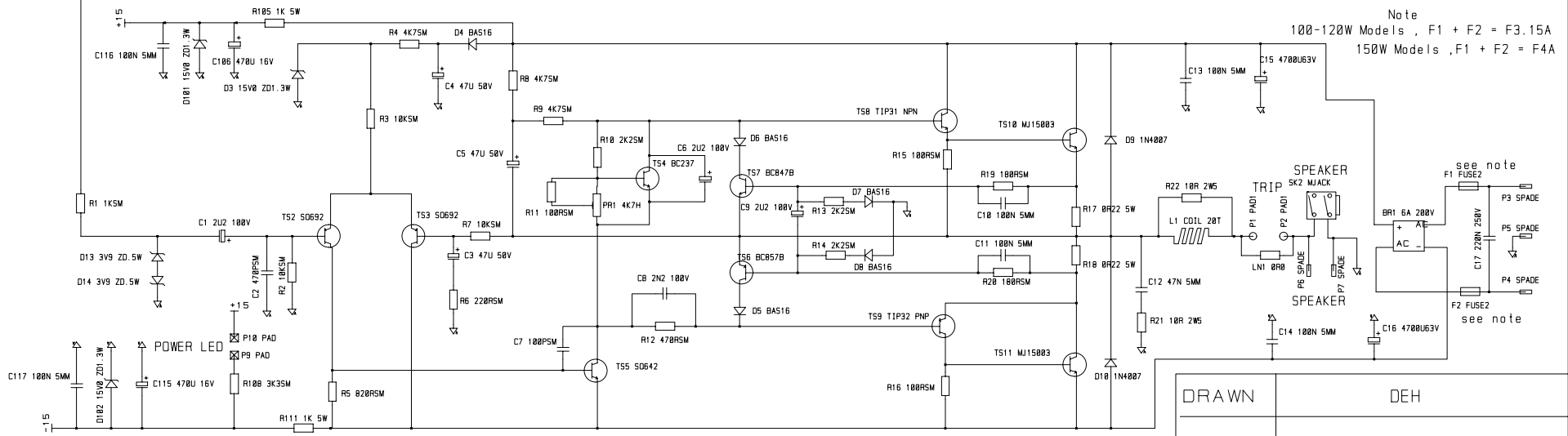
! =ONLY REPLACE WITH SAME TYPE AND RATING

ISSUE	DESCRIPTION	APPD.	DATE	TITLE	DRAWN	TRACED	CHECKED	APPROVED	DATE
				CPC12 SERVICE DIAGRAM PAE12 SERVICE DIAGRAM PART No	R.J.F				21/03/97
					DRAWING No.	2613			

BLT
Industries Ltd.



Return To Contents



Note
 120-120W Models , F1 + F2 = F3.15A
 150W Models ,F1 + F2 = F4A

DRAWN	DEH
DATE	24/01/97
TITLE	120W/150W OUTPUT BOARD + 2 INPUT CHANNELS
DRW. NO.	9118_2

ISSUE	USED IN	CHANGE NOTE 104 18/04/97	CHANGE NOTE 197 16/11/98
TYPE	CPC12 CPC15	PAE12	R8/9 2K2 TO 4K7 F1 and F2 changed

Assembly List For (008444) PCB Assembly

Stock Code	Description	Qty Req
1005	2K2 .25W RESISTOR	1
1300	ORO SHORTING LINK	9
1303	100R 5% RESISTOR	3
1304	820R 5% RESISTOR	1
1305	2K2 5% RESISTOR	5
1306	10K 5% RESISTOR	7
1309	1M 5% RESISTOR	2
1310	100K 5% RESISTOR	2
1311	470R 5% RESISTOR	1
1312	4K7 5% RESISTOR	7
1314	8K2 5% RESISTOR	3
1316	22K 5% RESISTOR	2
1318	6K8 5% RESISTOR	2
1320	220R 5% RESISTOR	1
1322	180R 5% RESISTOR	2
1326	3K3 5% RESISTOR	5
1327	1K 5% RESISTOR	3
1500	10R 2.5W RESISTOR	2
1701	1K 5W RESISTOR	2
1703	0R22 5W RESISTOR	2
1920	ZERO OHM RESISTOR	3
2004	47UF 50V RADIAL	4
2006	4700UF 63V RADIAL	2
2013	10UF 50V CAPACITOR	2
2020	470UF 16V RADIAL	2
2024	2.2UF 63V RADIAL	4
2200	220NF 100V 10MM	1
2415	2.2NF 100V 5mm	5
2419	100NF 63V 5mm	6
2425	47NF 100V 5mm	3
2426	15NF 100V 5mm	1
2601	10PF 50V 10% COG	4
2603	100PF 50V 10% COG	1
2605	470PF 50V 10% COG	3
3000	1N4007 DIODE	2
3007	3V9 .5W ZENER DIODE	2
3014	15V 1.3W ZENER	3
3016	6A 200V BRIDGE	1
3405	BC237 TRANSISTOR	1
3500	BAS16 TRANSISTOR	9
3501	SO642 TRANSISTOR	1
3502	SO692 TRANSISTOR	2
3503	BC847B TRANSISTOR	1
3504	BC857B TRANSISTOR	1
3508	34072 IC (SMD TL072	3
3610	TIP31C TRANSISTOR	1
3611	TIP32C TRANSISTOR	1
3800	MJ15003 TRANSISTOR	2
4018	4K7 HORIZ PRESET	1
4083	4mm 100K LIN POT	5
4095	4mm 100K LOG POT	2
5002	MONO JACK SOCKET	4
5006	20 TURN COIL	1
5008	TV125 FLAT HEATSINK	2
5022	PCB FUSE CARRIER	2
5038	1/4" SPADE TERMINAL	5
5054	XLR SOCKET FEMALE	1
5527	20mm F3.15A FUSE	2
5622	DUAL PHONO SOCKET	1
9118	CPC12/15 OUTPUT PCB	1

Assembly List For (007418) Final Assembly

Stock Code	Description	Qty Req
3800	MJ15003 TRANSISTOR	2
5005	NEW TYPE MAINS SOCK	1
5007	TO3 HARDWARE WASHER	2
005007A	TO3 LONG BUSH	4
5031	70oC THERMAL TRIP	1
5510	3MM SOLDER TAG	2
5511	5MM SOLDER TAG	2
5530	20mm T1A FUSE	1
5542	ROCKER SWITCH	1
5558	100mm TIE WRAP	3
5646	KNOB 4MM GREY/RED	2
5647	KNOB 4MM GREY/BLUE	5
8444	PCB Assembly	1
8801	RED LED	1
9150	3mm HEX NUT	4
9151	3mm INT SHAKEPROOF	6
9160	4mm HEX NUT	3
9161	4mm INT. SHAKEPROOF	4
9163	4*20mm PAN POZI	2
9167	4*8 PAN POZI TAPTE	2
9171	M5 INT SHAKEPROOF	2
9173	5*12mm PAN POZI	1
9181	5mm BRASS HEX NUT	1
9189	5mm CAGE NUT	6
9204	NO 4*1/4 PLASTITE	3
9228	3*12 ZINC PAN POZI	4
540038	EARTH WARNING LABEL	1
541054	INSULATION BOOT	1
581002	3*6mm CSK POZI TPTE	2
586003	M8 * 60 COACH BOLT	1
588006	POP RIVET (BLACK)	2
5P-587003	30mm WASHER	1
8P-8657	CPC12 FACIA	1
8P-8800	HTSNK BRACKET	1
8P-8801	110mm LONG THINNED	1
8T-6105	CR120 230V 120W	1

Assembly List For (20408) Cabinet Assembly

Stock Code	Description	Qty Req
10050	SMALL CORNER	8
10055	PLASTIC CABINET FOO	4
10057	SMALL LANEY BADGE	1
10100	STRAP HANDLE	1
10200	M5 x 10mm TEENUT	6
10202	5mm X 25mm CSK POZI	2
10204	5mm X 25mm PAN POZI	4
10205	NO.8 X 5/8" ROUND	6
10207	NO.6 X 5/8" CSK POZ	8
10224	35mm FINISHED NAILS	35
10231	No8x1/2" FLANGE POZ	4
10234	No 8 X 3/4 CSK POZI	20
10240	10 * 1 CSK POZI	4
10243	NO4*1/2 TYPE B CSK	2
10244	FLAT SPIRE CLIP	2
10256	8*1 FLANGE POZI	4
10301	18mm CHIPBOARD	0
10316	GRANITE VYNHYDE	1
10513	J73 HORN KSN1141B	1
10600	32/18 STAPLES	12
10621	POLY. BAG 30(0) X 3	1
10646	35mm METAL TOP HAT	1
10885	CARTON CC12	1
10981	GLUE/PAINT COST 1.2	1
41210	INVADER 12P1008	1
541004	HC25/50 4.8 FASTON	6
541051	1/4" SML RECEPTACLE	2
8G-CC12	FRONT GRILL CC12	1

Concept

Laney

**Newlyn Road
Cradley Heath
West Midlands
B64 6BE
U.K.**

<http://www.laney.co.uk>