

Laney

Concept

CPC15 Powered Monitor
Service Information

**A new Concept
for a new millennium**

Part Number - SM3033

Laney

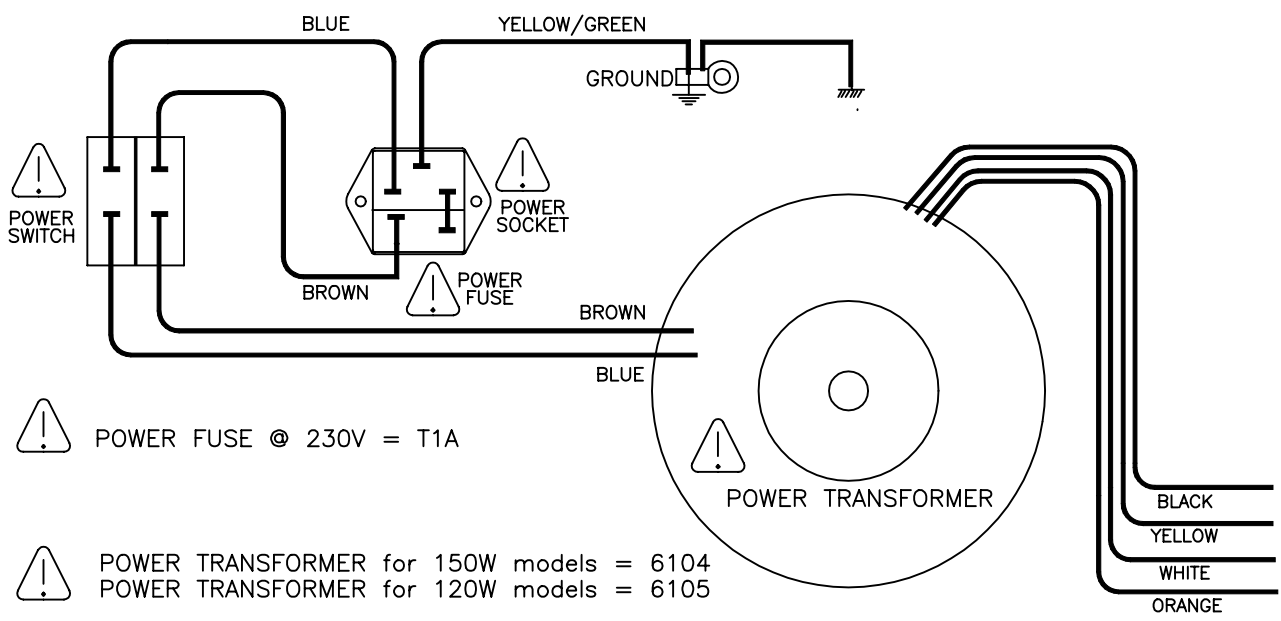
Concept

Contents

- 1.DWG 2614 Service Schematic**
- 2.DWG 2615 Mains Wiring**
- 4.DWG 9118 Circuit Diagram (Issue 2)**
- 5.PCB Assembly list**
- 6.Final Assembly List**
- 7.Cabinet Assembly List**
- 8.Contact**

Return To Contents

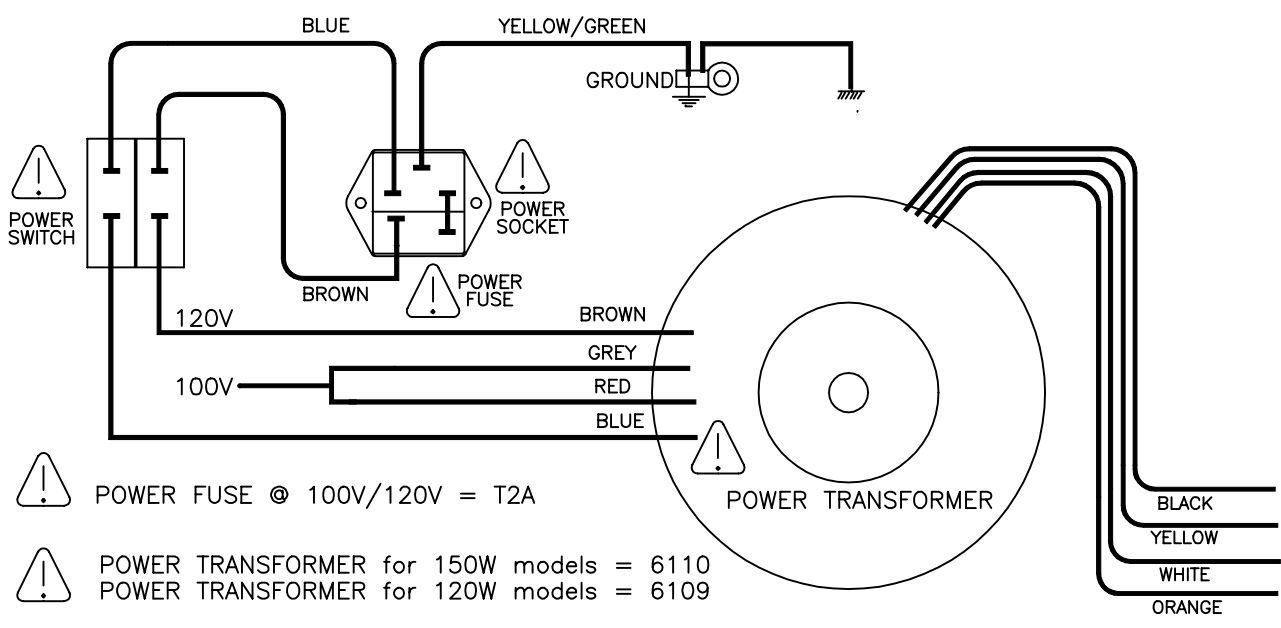
Mains Wiring for Transformers 6104 and 6105 @ 230V



⚠ POWER FUSE @ 230V = T1A

⚠ POWER TRANSFORMER for 150W models = 6104
 ⚠ POWER TRANSFORMER for 120W models = 6105

Mains Wiring for Transformers 6109 and 6110 @ 100/120V



⚠ POWER FUSE @ 100V/120V = T2A

⚠ POWER TRANSFORMER for 150W models = 6110
 ⚠ POWER TRANSFORMER for 120W models = 6109

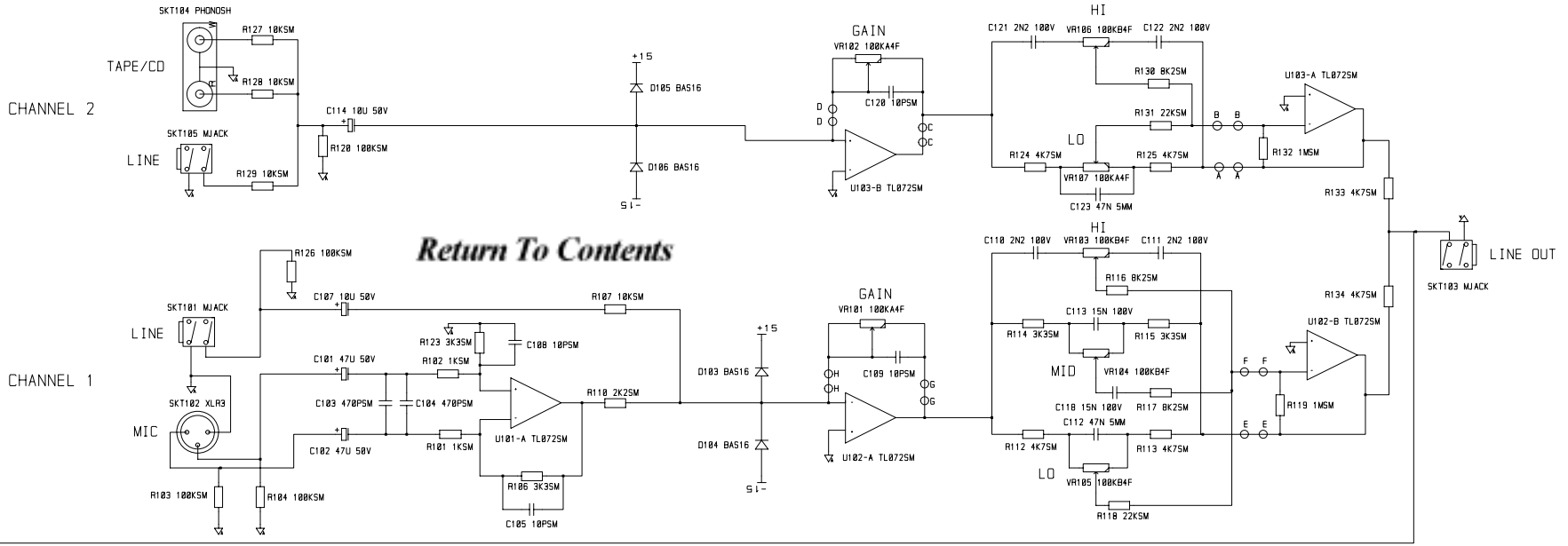
⚠ =ONLY REPLACE WITH SAME TYPE AND RATING

ISSUE	DESCRIPTION	APPD.	DATE

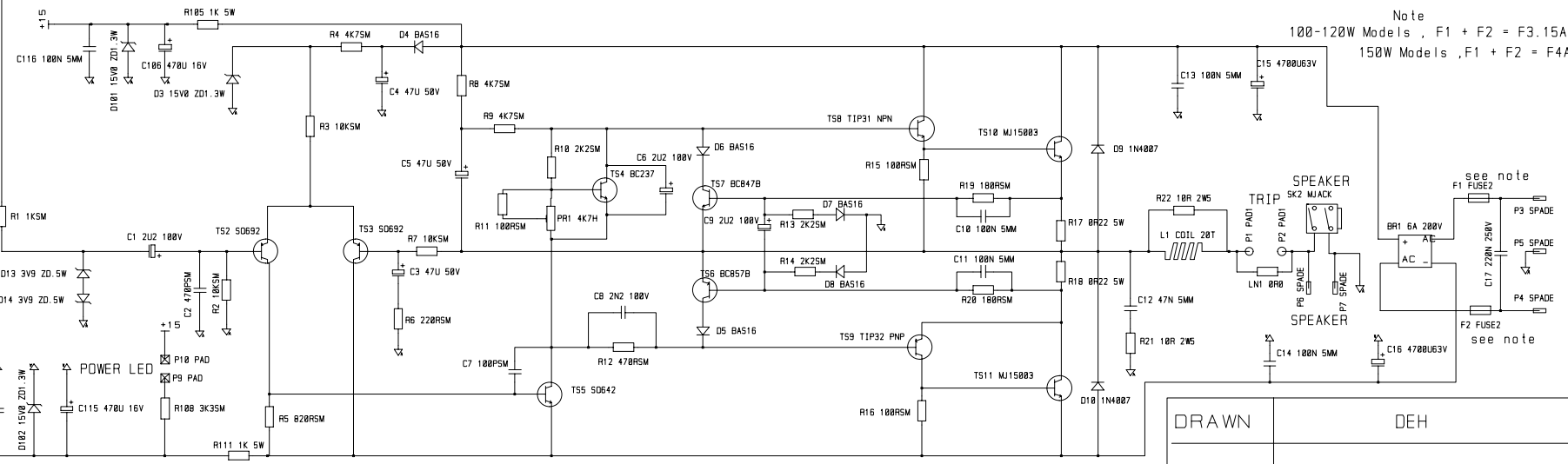
BLT
Industries Ltd.

TITLE
 MAINS WIRING FOR
 TRANSFORMERS 6104 + 6105
 PART No

DRAWN	TRACED	CHECKED	APPROVED	DATE
R.J.F				28/03/97
DRAWING No.		2615		



Return To Contents



Note
 120-120W Models , F1 + F2 = F3.15A
 150W Models , F1 + F2 = F4A

DRAWN	DEH
DATE	24/01/97
TITLE	120W/150W OUTPUT BOARD + 2 INPUT CHANNELS
DRW. NO.	9118_2

ISSUE	USED IN	CHANGE NOTE 104 18/04/97	CHANGE NOTE 197 16/11/98
TYPE	CPC12 CPC15	PAE12	R8/9 2K2 TO 4K7 F1 and F2 changed

Assembly List For (008444/A) PCB Assembly

Stock Code	Description	Qty Req
1005	2K2 .25W RESISTOR	1
1300	ORO SHORTING LINK	9
1303	100R 5% RESISTOR	3
1304	820R 5% RESISTOR	1
1305	2K2 5% RESISTOR	5
1306	10K 5% RESISTOR	7
1309	1M 5% RESISTOR	2
1310	100K 5% RESISTOR	2
1311	470R 5% RESISTOR	1
1312	4K7 5% RESISTOR	7
1314	8K2 5% RESISTOR	3
1316	22K 5% RESISTOR	2
1318	6K8 5% RESISTOR	2
1320	220R 5% RESISTOR	1
1322	180R 5% RESISTOR	2
1326	3K3 5% RESISTOR	5
1327	1K 5% RESISTOR	3
1500	10R 2.5W RESISTOR	2
1701	1K 5W RESISTOR	2
1703	0R22 5W RESISTOR	2
1920	ZERO OHM RESISTOR	3
2004	47UF 50V RADIAL	4
2006	4700UF 63V RADIAL	2
2013	10UF 50V CAPACITOR	2
2020	470UF 16V RADIAL	2
2024	2.2UF 63V RADIAL	4
2200	220NF 100V 10MM	1
2415	2.2NF 100V 5mm	5
2419	100NF 63V 5mm	6
2425	47NF 100V 5mm	3
2426	15NF 100V 5mm	2
2601	10PF 50V 10% COG	4
2603	100PF 50V 10% COG	1
2605	470PF 50V 10% COG	3
3000	1N4007 DIODE	2
3007	3V9 .5W ZENER DIODE	2
3014	15V 1.3W ZENER	3
3016	6A 200V BRIDGE	1
3405	BC237 TRANSISTOR	1
3500	BAS16 TRANSISTOR	9
3501	SO642 TRANSISTOR	1
3502	SO692 TRANSISTOR	2
3503	BC847B TRANSISTOR	1
3504	BC857B TRANSISTOR	1
3508	34072 IC (SMD TL072)	3
3610	TIP31C TRANSISTOR	1
3611	TIP32C TRANSISTOR	1
3800	MJ15003 TRANSISTOR	2
4018	4K7 HORIZ PRESET	1
4083	4mm 100K LIN POT	5
4095	4mm 100K LOG POT	2
5002	MONO JACK SOCKET	4
5006	20 TURN COIL	1
5008	TV125 FLAT HEATSINK	2
5022	PCB FUSE CARRIER	2
5038	1/4" SPADE TERMINAL	5
5054	XLR SOCKET FEMALE	1
5101	20mm F4A FUSE	2
5622	DUAL PHONO SOCKET	1
9118	CPC12/15 OUTPUT PCB	1
9971	SOLDER COST œ.75	1

Assembly List For (007420) Final Assembly

Stock Code	Description	Qty Req
3800	MJ15003 TRANSISTOR	2
5005	NEW TYPE MAINS SOCKET	1
5007	TO3 HARDWARE WASHER	2
005007A	TO3 LONG BUSH	4
5030	HEATSINK TV5	1
5031	70oC THERMAL TRIP	1
5510	3MM SOLDER TAG	2
5511	5MM SOLDER TAG	2
5526	20mm T2A FUSE	1
5542	ROCKER SWITCH	1
5558	100mm TIE WRAP	3
5646	KNOB 4MM GREY/RED	2
5647	KNOB 4MM GREY/BLUE	5
008444/A	PCB Assembly	1
8801	RED LED	1
9150	3mm HEX NUT	4
9151	3mm INT SHAKEPROOF	6
9160	4mm HEX NUT	3
9161	4mm INT. SHAKEPROOF	4
9162	4*12mm PAN POZI	5
9163	4*20mm PAN POZI	2
9167	4*8 PAN POZI TAPTE	3
9171	M5 INT SHAKEPROOF	2
9173	5*12mm PAN POZI	1
9181	5mm BRASS HEX NUT	1
9189	5mm CAGE NUT	6
9204	NO 4*1/4 PLASTITE	3
9217	4mm NUTSERT	4
9228	3*12 ZINC PAN POZI	4
540038	EARTH WARNING LABEL	1
541054	INSULATION BOOT	1
581002	3*6mm CSK POZI TPTE	2
586003	M8 * 60 COACH BOLT	1
588006	POP RIVET (BLACK)	2
5P-58700	30mm WASHER	1
8P-8647	CP15 T/X BRACKET	1
8P-8658	CPC15 FACIA	1
8P-8800	HTSNK BRACKET	1
8P-8801	110mm LONG THINNED	1
8T-6104	CR150 230V 150W	1

Assembly List For (20409) Cabinet Assembly

Stock Co	Description	Qty Req
10050	SMALL CORNER	8
10055	PLASTIC CABINET FOOT	4
10057	SMALL LANEY BADGE	1
10100	STRAP HANDLE	1
10200	M5 x 10mm TEENUT	6
10202	5mm X 25mm CSK POZI	2
10204	5mm X 25mm PAN POZI	4
10205	NO.8 X 5/8" ROUND	6
10207	NO.6 X 5/8" CSK POZI	8
10224	35mm FINISHED NAILS	35
10234	No 8 X 3/4 CSK POZI	20
10240	10 * 1 CSK POZI	4
10243	NO4*1/2 TYPE B CSK	2
10244	FLAT SPIRE CLIP	2
10256	8*1 FLANGE POZI	4
10301	18mm CHIPBOARD	0
10316	GRANITE VYNHYDE	1
10513	J73 HORN KSN1141B	1
10600	32/18 STAPLES	12
10622	POLY BAG 48(0) X 48	1
10629	MASKING TAPE 1.5"	1
10646	35mm METAL TOP HAT	1
10886	CARTON CC15/VC30	1
10982	GLUE/PAINT COST 2.00	1
41510	INVADER 15100PA8A	1
541004	HC25/50 4.8 FASTON	6
541051	1/4" SML RECEPTACLE	2
8G-CC15	FRONT GRILL CC15	1

Concept

Laney

**Newlyn Road
Cradley Heath
West Midlands
B64 6BE
U.K.**

<http://www.laney.co.uk>