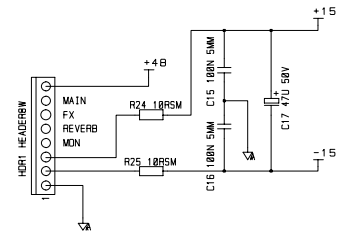
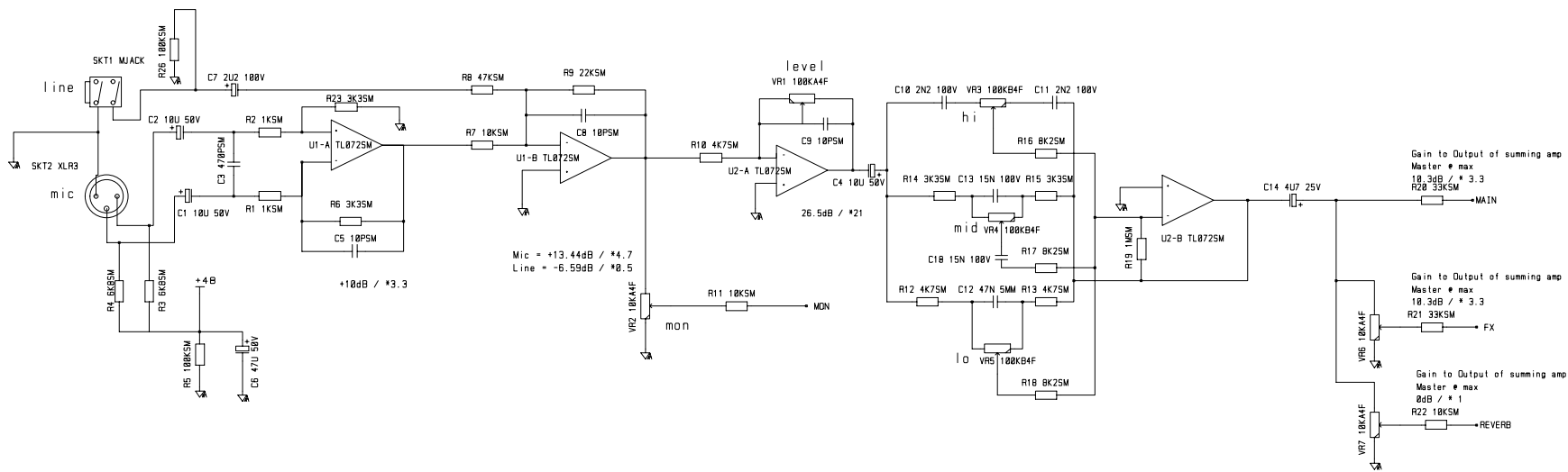


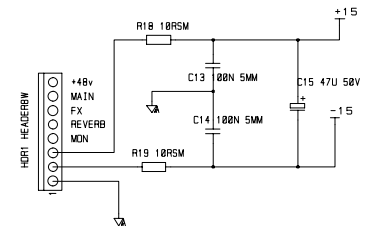
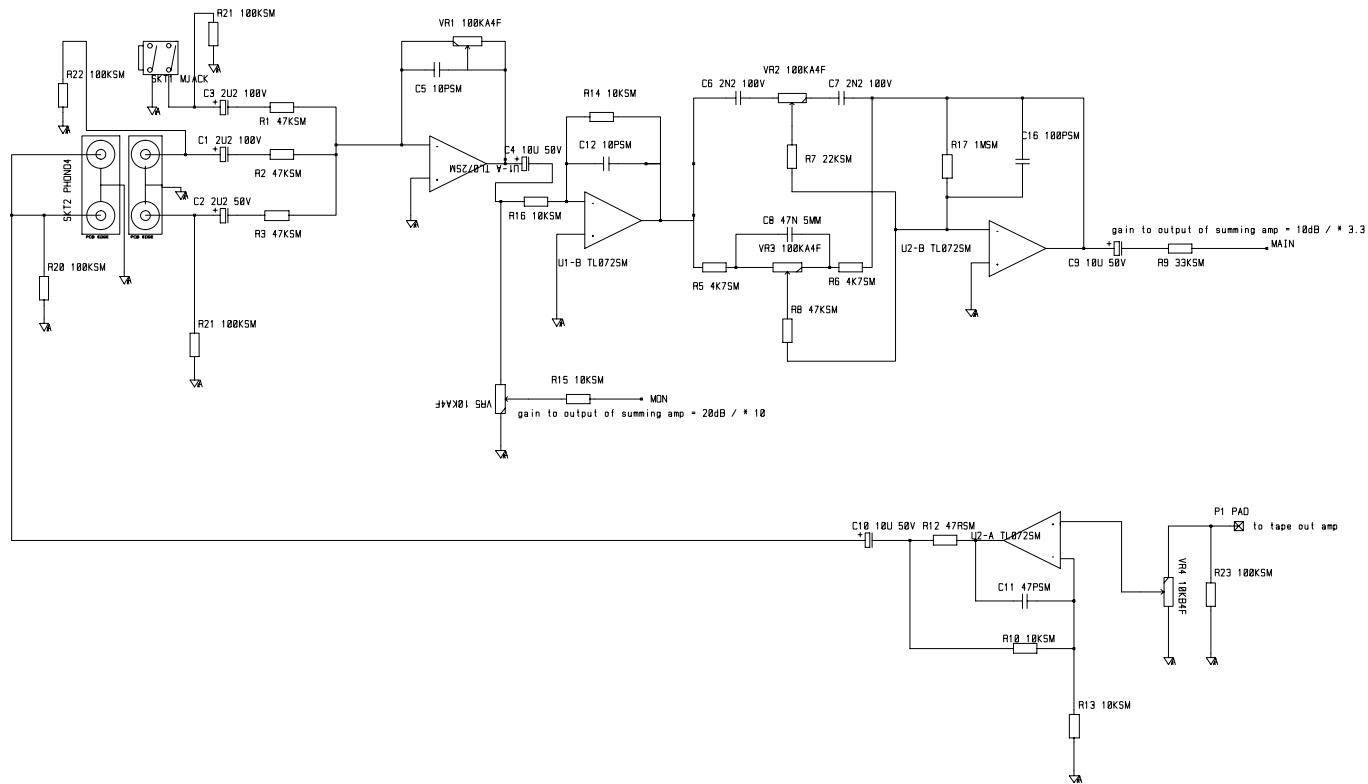
# Laney

**Service Diagrams**



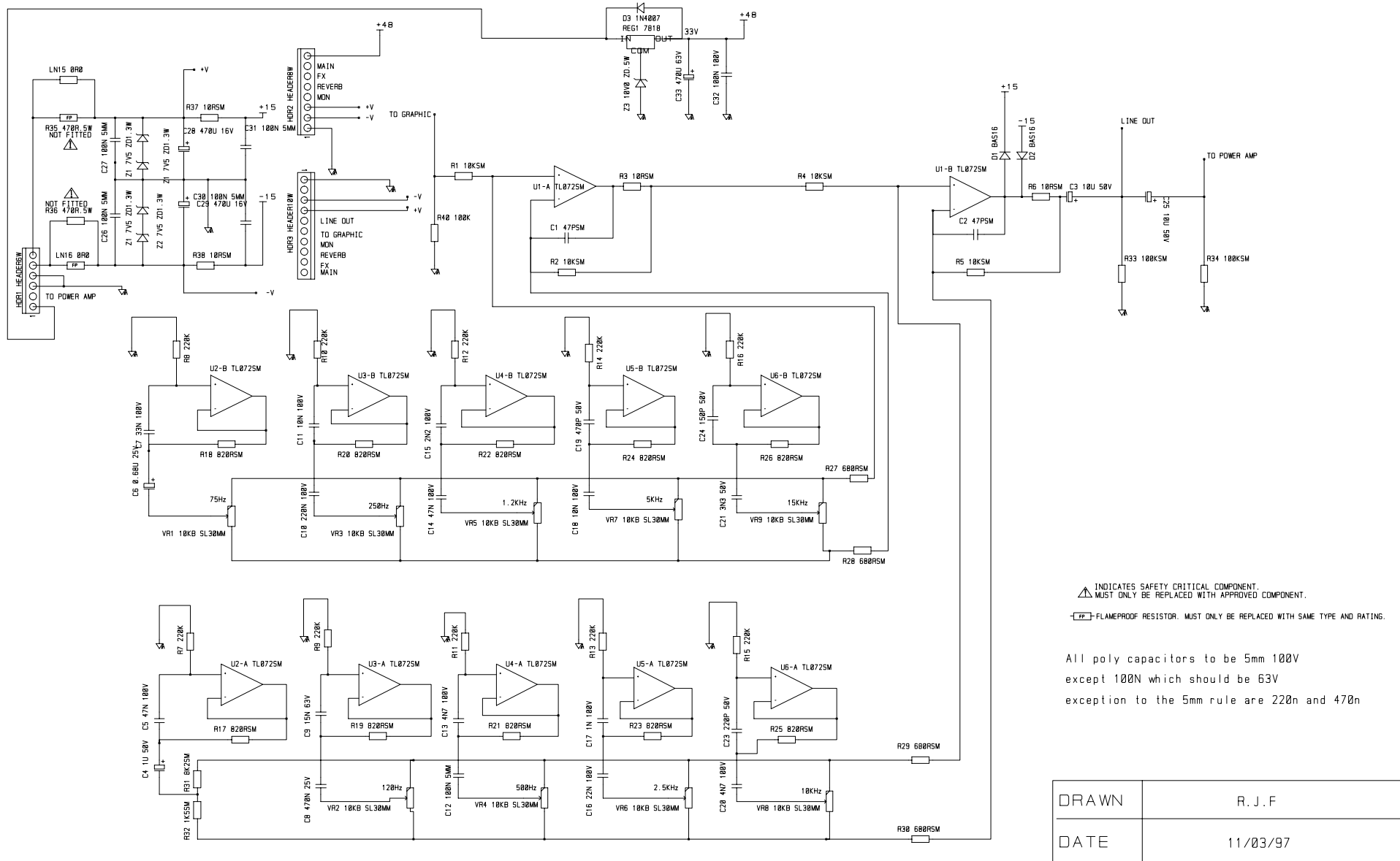
DRAWN	R.J.F
DATE	11/03/97
TITLE	PA Head Mic/Line Channel
DRW. NO.	PCB 9111

ISSUE	USED IN	issue two 2/01/97	issue three 11/03/97	ISSUE FOUR 25/8/98	
TYPE	CR300 P707S CR400 P707SR	C3 = 0PR CUT TRACK BETWEEN C1 + C3 CUT TRACK BETWEEN C3 + C4 (C2 SIDE) LINK UNCONNECTED PAD OF C1 TO TO UNCONNECTED PAD OF R1	issue two modifications corrected	C4 ADDED SEE CHANGE NOTE 171	



DRAWN	R. J. F
DATE	11/03/97
TITLE	PA HEAD TAPE INPUT
DRW. NO.	9112

ISSUE	USED IN	issue two 02/01/97	issue two 27/01/97	issue three 11/03/97
TYPE	CR300 P707S CR400 P707SR			R10 + R13 TO 10KSM R20, 21, 22 - 100KSM ADDED VR4 TO 10KA4F R11 DELETED



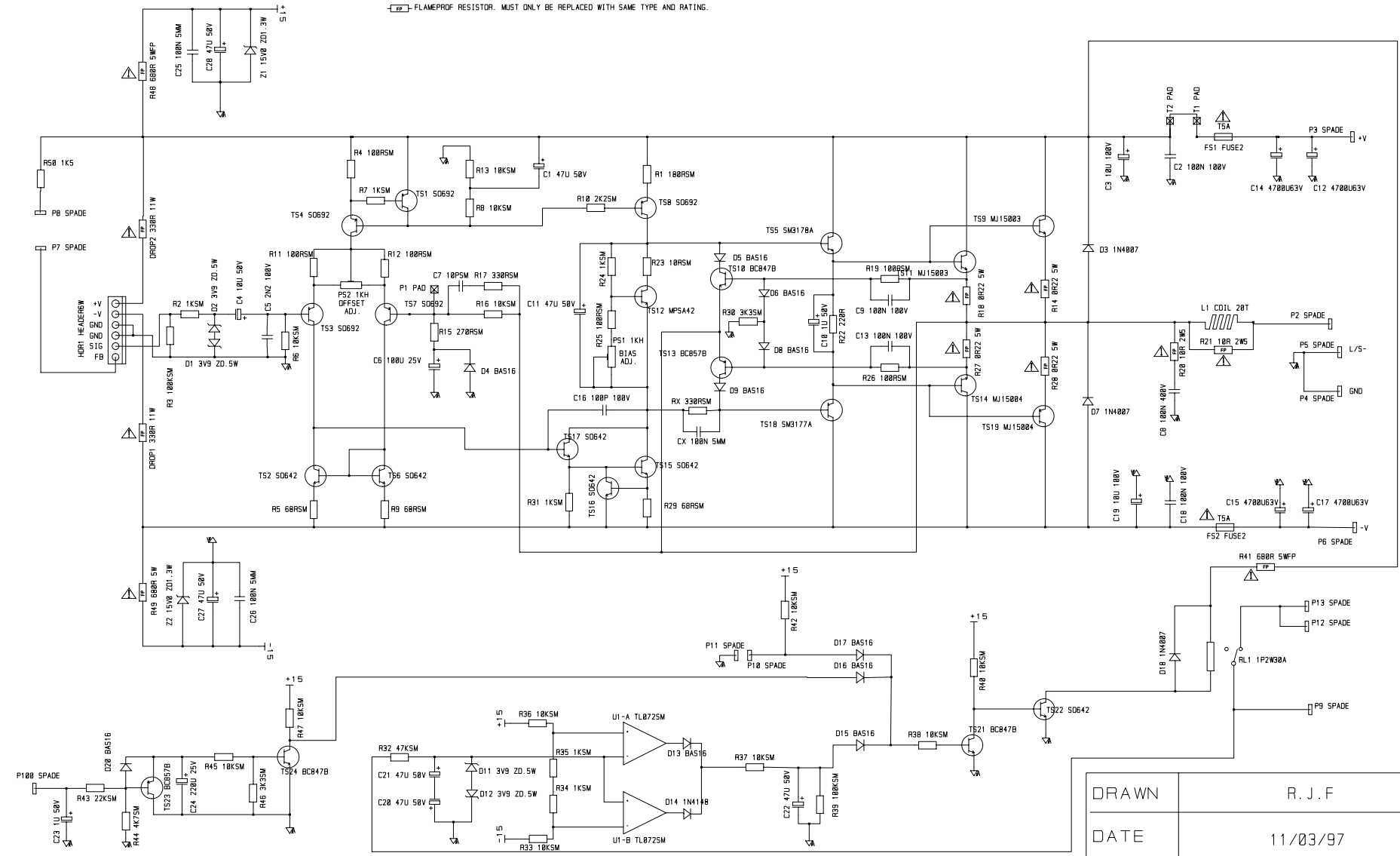
▲ INDICATES SAFETY CRITICAL COMPONENT. MUST ONLY BE REPLACED WITH APPROVED COMPONENT.  
 □ FP FLAMEPROOF RESISTOR. MUST ONLY BE REPLACED WITH SAME TYPE AND RATING.

All poly capacitors to be 5mm 100V  
 except 100N which should be 63V  
 exception to the 5mm rule are 220n and 470n

DRAWN	R.J.F
DATE	11/03/97
TITLE	9 BAND MONO GRAPHIC
DRW. NO.	PCB 9113

ISSUE	USED IN	issue two 28/01/97	issue three 11/03/97
TYPE	CR300 P7075 CR400 P7075R	R1 needs grounding via a 100K	R1 GROUNDED VIA 100K (R40) DROPPER RESISTORS MOVED TO OUTPUT BOARD, LN15 + 16 FOR BYPASS

⚠ INDICATES SAFETY CRITICAL COMPONENTS. MUST ONLY BE REPLACED WITH APPROVED COMPONENT.  
 ⚡ FP - FLAMEPROOF RESISTOR. MUST ONLY BE REPLACED WITH SAME TYPE AND RATING.



DRAWN	R. J. F
DATE	11/03/97
TITLE	300W OUTPUT MODULE
DRW. NO.	9121_4

ISSUE	ISSUE FOUR 11/3/97	28/09/99			
TYPE	330R 11W FP H. T. DROPPER RESISTORS ADDED PHANTOM POWER H. T. DROPPERS ADDED	Rx and Cx added to reduce short circuit current.			