

Laney

Concept



CR520 Mixer/Amplifier
Service Information

**A new Concept
for a new millennium**

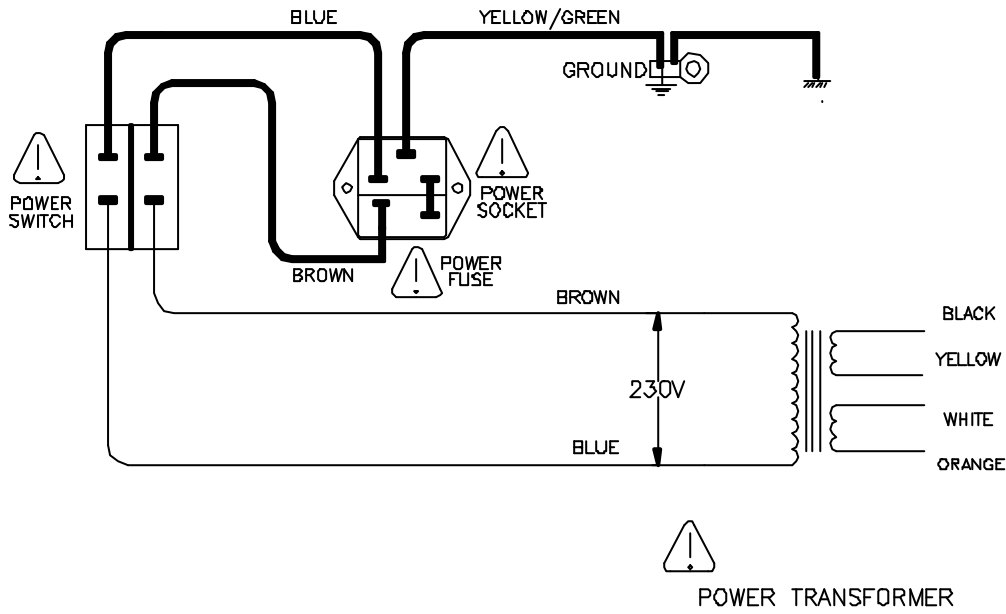
Part Number - SM3038

Laney

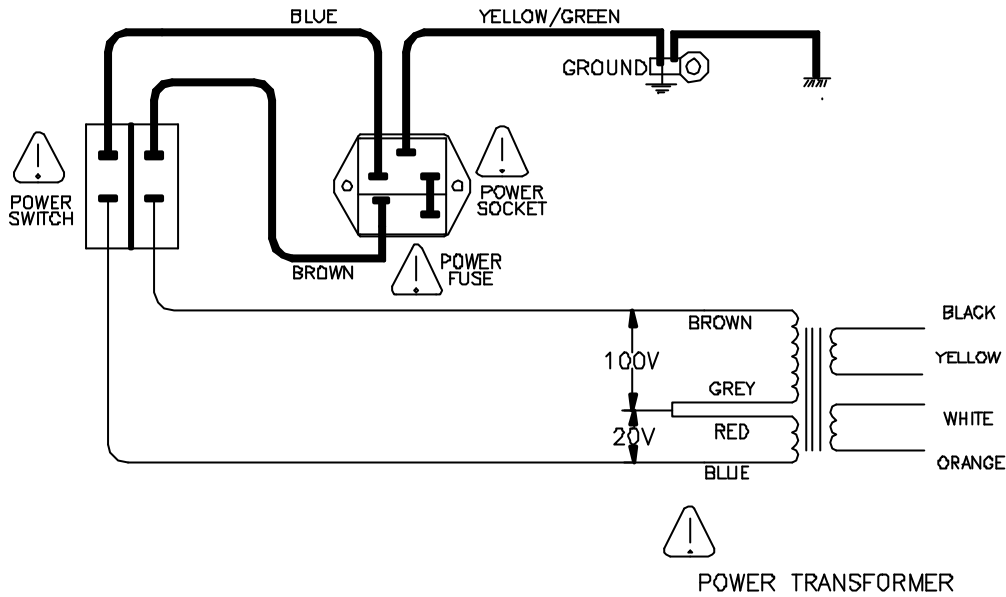
Project
Concept

Contents

- 1.DWG 3043 Service Schematic**
- 2.DWG 2615 Mains Wiring**
- 3.DWG 3020 Block Diagram**
- 4.DWG 9320 Preamp Diagram (Issue 2)**
- 5.DWG 9320 Preamp Diagram (Issue 3)**
- 6.DWG 9319 Power Amp Diagram (Issue 2)**
- 7.DWG 9319 Power Amp Diagram (Issue 3)**
- 8.Pre-amp PCB Assembly List**
- 9.Output PCB Assembly list**
- 10.Final Assembly List**
- 11.Cabinet Assembly List**
- 12.Contact**



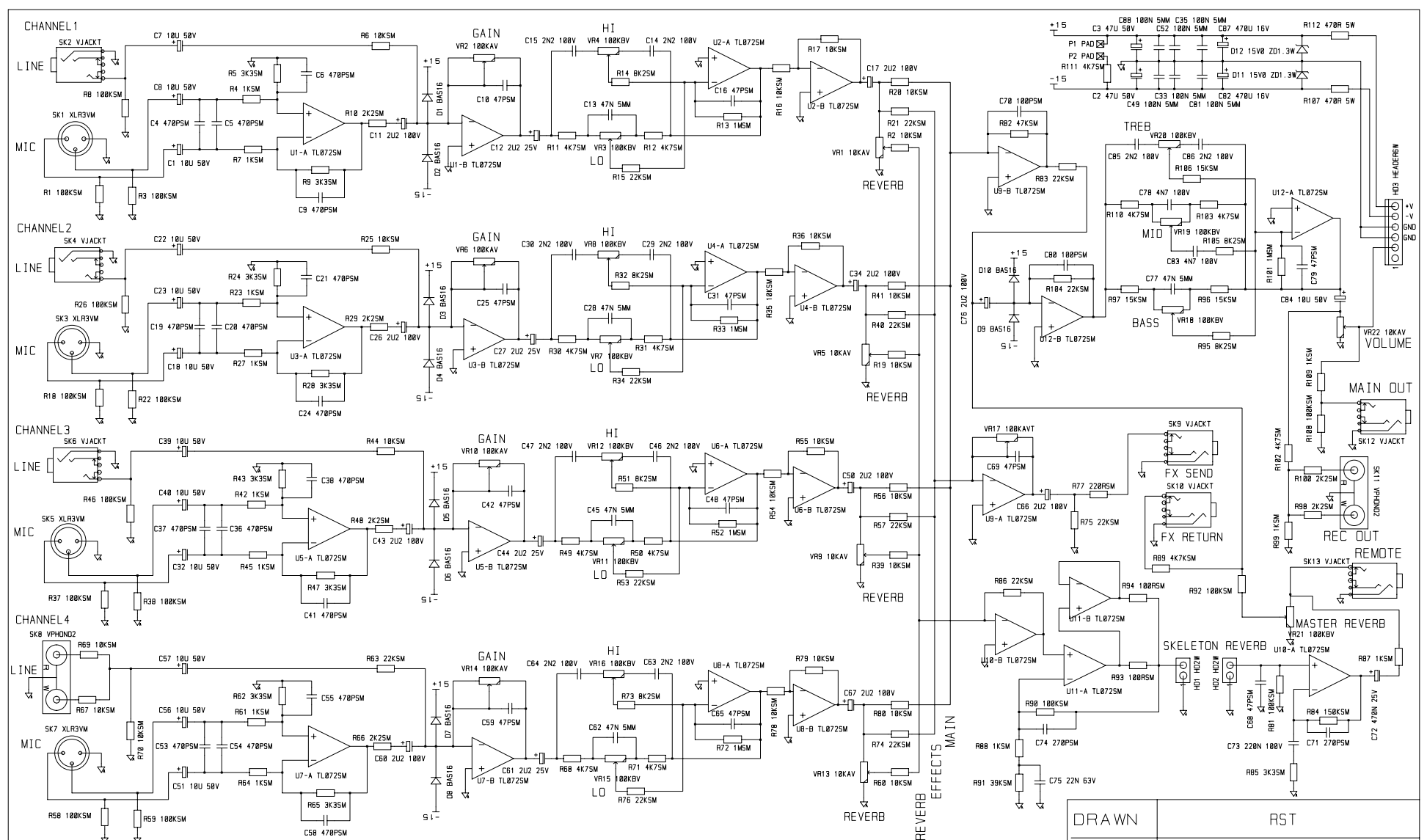
⚠ POWER TRANSFORMER



⚠ POWER TRANSFORMER

⚠ =ONLY REPLACE WITH SAME TYPE AND RATING

ISSUE	DESCRIPTION	APPD.	DATE	TITLE	DRAWN	TRACED	CHECKED	APPROVED	DATE
				BLT Industries Ltd. MAINS WIRING FOR TRANSFORMER PART No	R.J.F				28/03/97
					DRAWING No.	2615			



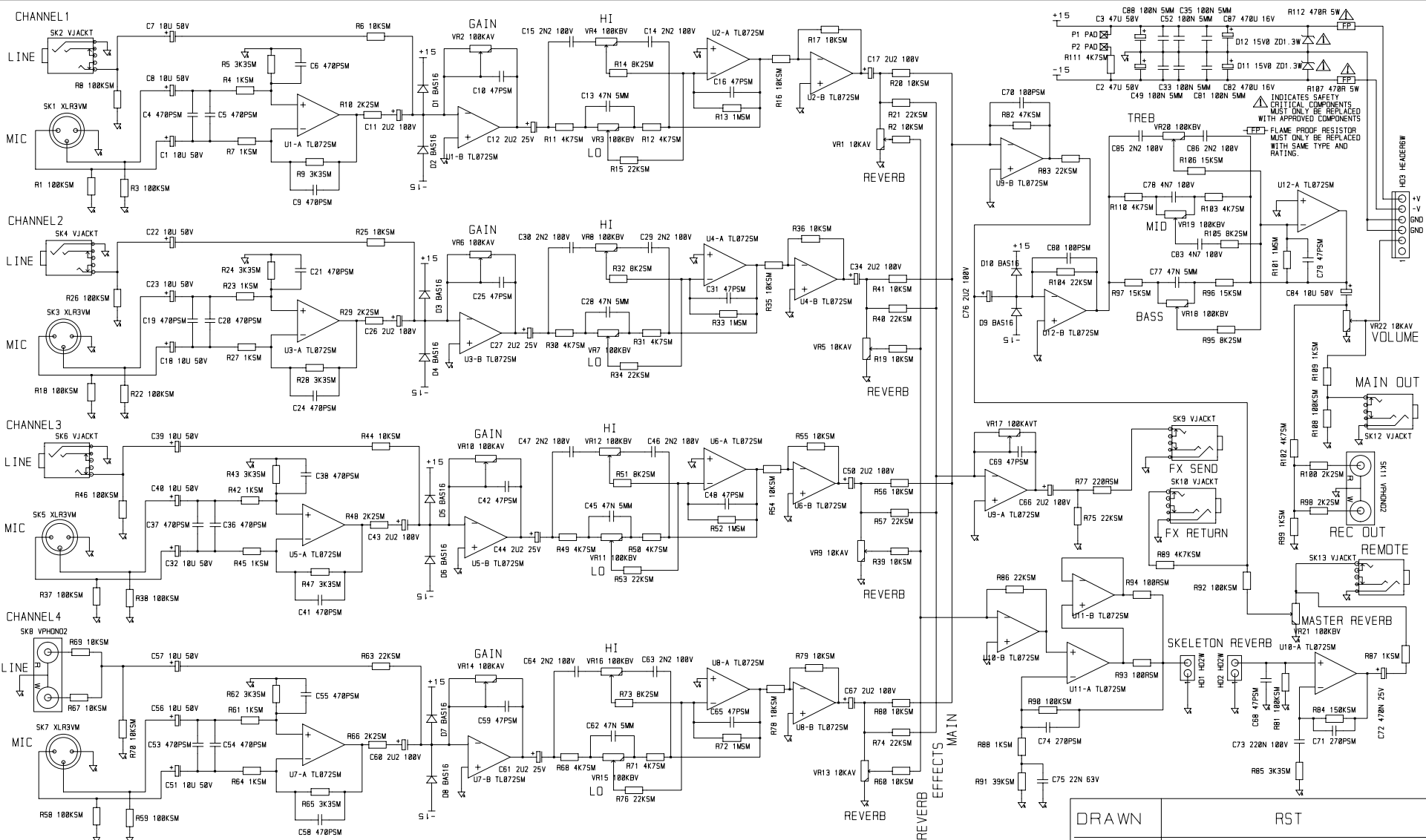
Return To Contents

DRAWN	RST
DATE	14/09/99
TITLE	CR520 PREAMP
DRW. NO.	9320_2

ISSUE
NOTE:
REVERB REMOTE NEEDS
HARDWIRING ON ISSUE 2 PCB

CHECK C78/83 ON
LISTENING TEST
BEFORE PRODUCTION

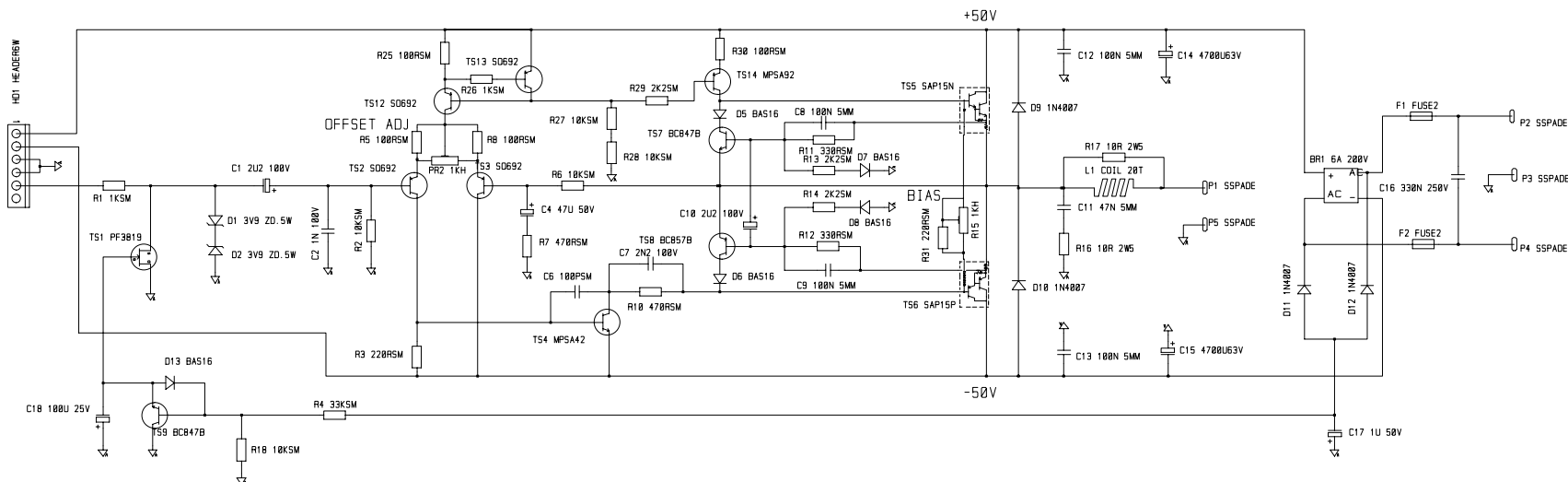
TYPE



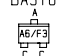
[Return To Contents](#)

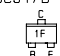
DRAWN	RST
DATE	22/02/00
TITLE	CR520 PREAMP
DRW. NO.	9320_3

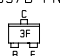
ISSUE	ISSUE 3 LAYOUT TIDY
TYPE	

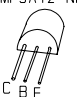



- BAS16



- BC847B NPN

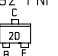

- BC857B PNP



- MPSA42 NPN


- MPSA92 PNP


- S0642 NPN

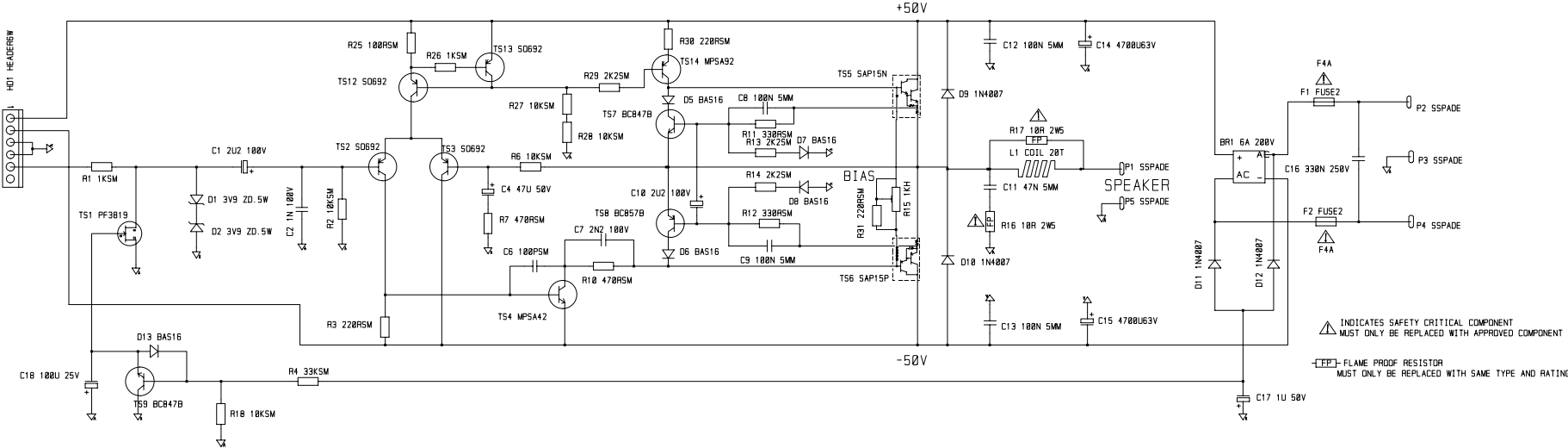

- S0692 PNP


- TMPF3819 N CH



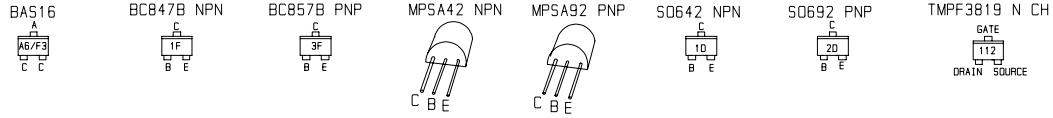
DRAWN	DEH
DATE	21/09/99
TITLE	CR520/CD550 POWER MODULE
DRW. NO.	9319_L2

ISSUE							
TYPE							



INDICATES SAFETY CRITICAL COMPONENT
MUST ONLY BE REPLACED WITH APPROVED COMPONENT

FFP - FLAME PROOF RESISTOR
MUST ONLY BE REPLACED WITH SAME TYPE AND RATING



REFER TO SERVICE MANUAL BEFORE ADJUSTING BIAS

ISSUE	3 18/10/99					DRAWN	DEH
						DATE	21/09/99
						TITLE	CR520/CD550 POWER MODULE
TYPE	LAYOUT CHANGES					DRW. NO.	9319_3

Assembly List For (006343) Preamp PCB assembly

Stock Code	Item	Qty Req
1300	ORO SHORTING LINK	34
1303	100R 5% RESISTOR	2
1305	2K2 5% RESISTOR	6
1306	10K 5% RESISTOR	29
1309	1M 5% RESISTOR	5
1310	100K 5% RESISTOR	15
1312	4K7 5% RESISTOR	13
1314	8K2 5% RESISTOR	7
1316	22K 5% RESISTOR	6
1317	39K 5% RESISTOR	1
1320	220R 5% RESISTOR	1
1326	3K3 5% RESISTOR	11
1327	1K 5% RESISTOR	12
1331	33K 5% RESISTOR	1
1334	150K 5% RESISTOR	1
1700	470R 5W RESISTOR	2
1920	ZERO OHM RESISTOR	1
2004	47UF 50V RADIAL	2
2013	10UF 50V CAPACITOR	13
2020	470UF 16V RADIAL	2
2024	2.2UF 63V RADIAL	10
2026	.47UF 63V RADIAL	5
2200	220NF 100V 10MM	1
2413	1N5 100V 5mm	1
2415	2.2NF 100V 5mm	10
2419	100NF 63V 5mm	6
2420	22NF 100V 5mm	1
2425	47NF 100V 5mm	5
2426	15NF 100V 5mm	1
2602	47PF 50V 10% COG	6
2603	100PF 50V 10% COG	7
2604	270PF 50V 10% COG	2
2605	470PF 50V 10% COG	16
3014	15V 1.3W ZENER	2
3500	BAS16 TRANSISTOR	10
3508	34072 IC (SMD TL072)	12
4105	B100K 37.5mm POT	12
4106	A100K 37.5mm POT	4
4107	A10K 37.5mm POT	6
5036	6 WAY LOCKING HEADER	2
5066	2 WAY LOCKING HEADER	2
5306	DUAL PHONO VERT PC	2
5307	X902-03 XLR	4
5309	6.3MM PHONE JACK	7
9320	CR520 PREAMP	1

Assembly List For (006344) Output PCB Assembly

Stock Code	Item	Qty Req
1300	ORO SHORTING LINK	4
1303	100R 5% RESISTOR	4
1304	820R 5% RESISTOR	1
1305	2K2 5% RESISTOR	3
1306	10K 5% RESISTOR	4
1311	470R 5% RESISTOR	1
1320	220R 5% RESISTOR	1
1327	1K 5% RESISTOR	2
1329	330R 5% RESISTOR	1
1331	33K 5% RESISTOR	1
1500	10R 2.5W RESISTOR	2
1920	ZERO OHM RESISTOR	2
2004	47UF 50V RADIAL	2
2006	4700UF 63V RADIAL	2
2014	100UF 35V RADIAL	1
2024	2.2UF 63V RADIAL	2
2025	1UF 63V RADIAL	1
2200	220NF 100V 10MM	1
2415	2.2NF 100V 5mm	2
2419	100NF 63V 5mm	4
2425	47NF 100V 5mm	1
2817	100PF 100V CERAMIC	1
3000	1N4007 DIODE	4
3007	3V9 .5W ZENER DIODE	2
3016	6A 200V BRIDGE	1
3411	MPSA42/43 TRANSISTOR	1
3412	MPSA92/93 TRANSISTOR	1
3500	BAS16 TRANSISTOR	5
3502	SO692 TRANSISTOR	4
3503	BC847B TRANSISTOR	2
3504	BC857B TRANSISTOR	1
3507	TMP3819 TRANSISTOR	1
3807	SAP15N	1
3808	SAP15P	1
4000	1K HORIZ PRESET	1
5006	20 TURN COIL	1
5022	PCB FUSE CARRIER	2
5030	HEATSINK TV5	1
5036	6 WAY LOCKING HEADER	1
5067	TO3P SIL PADS	2
5686	NEW SPADE TERMINAL	5
9234	4*1/2" AB BLK POZI	2
9319	CR520 O/P	1
588006	POP RIVET (BLACK)	2
8P-8859	CR520 HTSK BRKT	1
5101	20MM FAST 4A FUSE	2

Assembly List For (007648) Final Assembly

Stock Code	Item	Qty Re
5005	NEW TYPE MAINS SOCKET	1
5511	5MM SOLDER TAG	1
5526	20mm T2A FUSE	1
5542	ROCKER SWITCH	1
5558	100mm TIE WRAP	10
5658	LONG BOARD SPACER	3
5666	RED P402 KNOB	6
5667	BLUE P402 KNOB	11
5668	BEIGE P402 KNOB	5
6343	Preamp PCB assembly	1
6344	Output PCB Assembly	1
8701	MXA100 SHORT LOOM	1
9160	4mm HEX NUT	2
9161	4mm INT. SHAKEPROOF	2
9162	4*12mm PAN POZI	2
9171	M5 INT SHAKEPROOF	2
9181	5mm BRASS HEX NUT	1
9189	5mm CAGE NUT	4
9200	NO 6*3/8 FLANGE POZI	2
9204	NO 4*1/4 PLASTITE	13
9217	4mm NUTSERT	8
9234	4*1/2" AB BLK POZI	3
10004	MONO JACK SOCKET	2
10010	2 SPRING MEDIUM	1
540038	EARTH WARNING LABEL	1
541004	HC25/50 4.8 FASTON	9
541053	1/4" LG RECEPTACLE	4
586003	M8 * 60 COACH BOLT	1
588006	POP RIVET (BLACK)	2
5P-587003	30mm WASHER	1
8P-8444	75MM HEATSINK	1
8P-8844	CR420 FACIA	1
8P-8845	CR420 REAR	1
8P-8846	CR420 CHASSIS	1
8P-8847	CR520 H/S SCREEN	1
8T-6123	RBW300 TX	1

Assembly List For (20462) Cabinet Assembly

Stock Code	Item	Qty Req
10039	CORNER C1839K	8
10055	PLASTIC CABINET FOOT	4
10100	STRAP HANDLE	1
10200	M5 x 10mm TEENUT	2
10202	5mm X 25mm CSK POZI	2
10250	5*45mm PAN POZI	4
10224	35mm FINISHED NAILS	12
10225	STAPLES 97/12	3
10234	No 8 X 3/4 CSK POZI	16
10301	18mm CHIPBOARD	0
10321	CARPET 1.5M WIDTH	0
10600	32/18 STAPLES	12
10621	POLY. BAG 30(0) X 36	1
10629	MASKING TAPE 1.5"	1
10880	CARTON CR120	1
10893	Cardboard INSERT	1
584000	NO6*1/2 FLANGE POZI	4
8P-8857	VENT	1

Concept

Laney

**Newlyn Road
Cradley Heath
West Midlands
B64 6BE
U.K.**

<http://www.laney.co.uk>