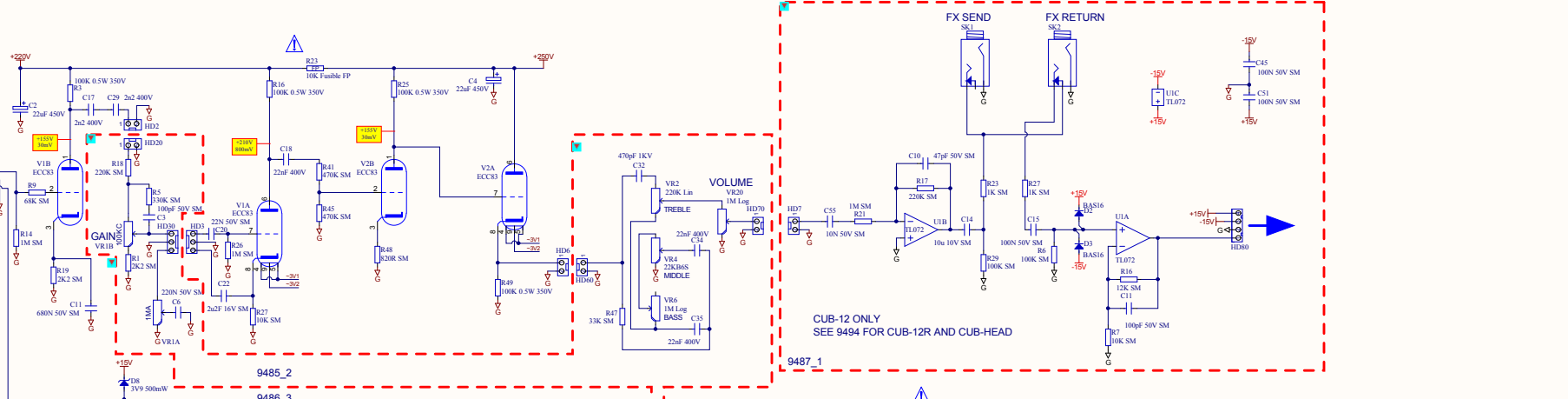
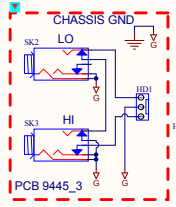


CUB-12

Service Information

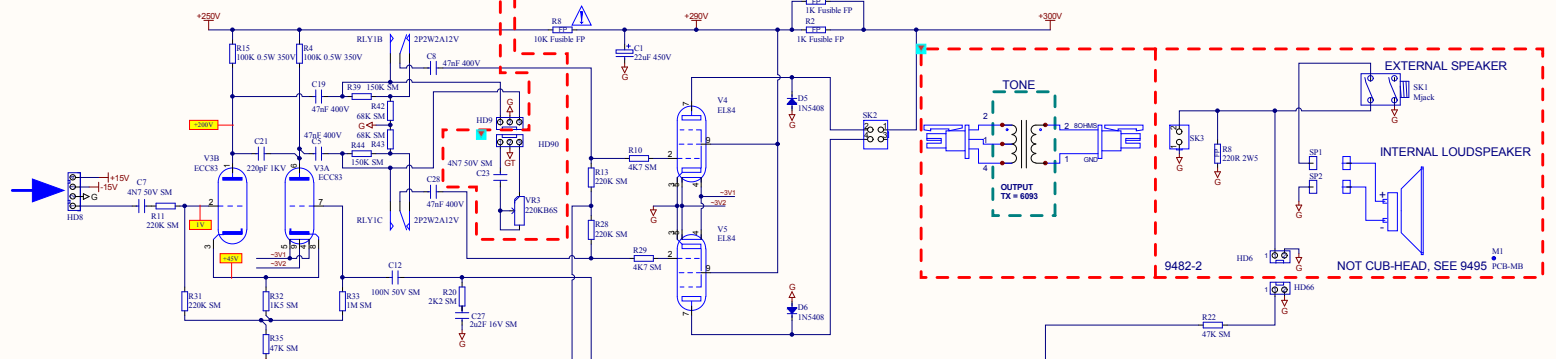
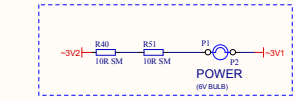
Laney
POWER TO THE MUSIC
www.laney.co.uk

Input Sensitivity: Hi 500mV, Lo 1mV
Gain: EQ at 10 Volume at 5 Typical levels

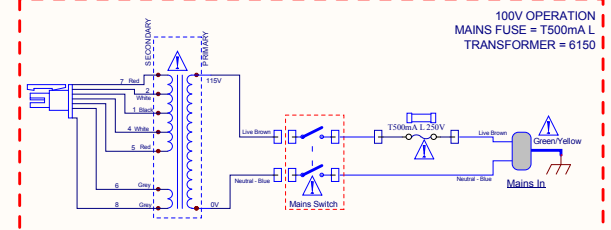
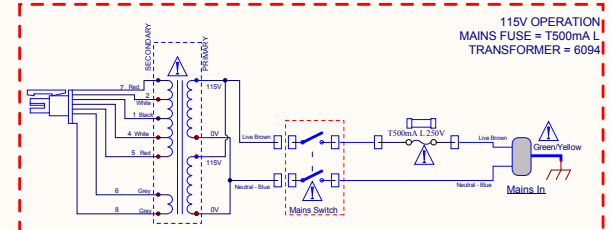


CUB-12 ONLY
SEE 9494 FOR CUB-12R AND CUB-HEAD

NO INPUT JACK = LOW MODE
JACK IN HI = HI MODE
JACK IN LO = LO MODE



| | | |
|---------|---------|----------|
| Cub-12 | Cub-12R | Cub-Head |
| 470R 3W | 100R 3W | 100R 3W |



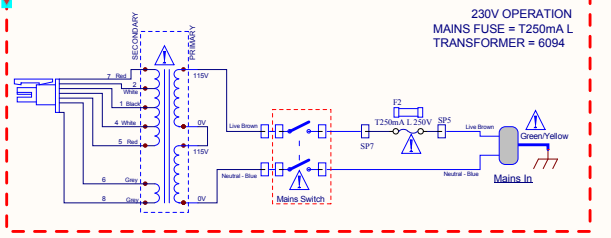
ADJUST TO -12.5V WITH TR1

BIAS ADJUST

WIRE LINK (DOUBLE INSULATED)

HUM ADJUST

F1, F2 = RXEF030 POLYSWITCH



Indicates safety critical component
Must only be replaced with approved type
FRP = Flame Proof Resistor
Must only be replaced with same type and rating

MAE-7T
MAE-7T

PCB-12-M4

ADJUST BIAS ON JUNCTION OF R13/R28 TO -12.5V USING TR1
ADJUST HEATER BALANCE USING TR2

Title: CUB-12/R/HEAD SYSTEM SCHEMATIC
Size: A3 Number: 1 Revision: 3
Date: 09/08/2011 Time: 14:09:57 Sheet 1 of 1
Original File: 9485.SchDoc

Steelark Road
Coombs Wood
Industrial Estate West
Halesowen
UK
www.laney.co.uk

Laney
POWER TO THE MUSIC

CUB-12 SPARE PARTS LIST



| Model No. CUB-12 (2010) | | | | | |
|---|---|--|--|----------|---------------------|
| SPARES ITEM | DESCRIPTION | | | PART No. | ty. in Chassis Assy |
| Transformers | 100V | 6150 15W Tube Mains Transformer 100V | | 006150 | 1 |
| | 120V | 6094 15W Tube Mains Transformer 115/230V | | 006094 | 1 |
| | 230V | 6094 15W Tube Mains Transformer 115/230V | | 006094 | 1 |
| | O/P | 15W Tube Output Transformer | | 006093 | 1 |
| Switch | Power | R13-428 DPST Toggle Switch | | 007658 | 1 |
| | Lamp | Red Jewel Bulb Holder | | 007684 | 1 |
| Wiring Looms | 4 Way Ribbon Loom 150mm | | | 007498 | 1 |
| | 3 Way Ribbon Cable 150mm | | | 007706 | 1 |
| | 3 Way Screened Loom 300mm | | | 007757 | 1 |
| | 3 Way Screened Loom 250mm | | | 007978 | 1 |
| | 2 Way Screened Loom 250mm | | | 007491 | 1 |
| | 2 Way Screened Loom 200mm | | | 007518 | 1 |
| | 2 Way Screened Loom 125mm | | | 007977 | 2 |
| PCB s | 9482 - Cub-Range 2010 Speaker Output PCB Complete | | | 007687 | 1 |
| | 6.3 Horizontal Jack Socket-Mono | | | 005002 | 1 |
| | 9445 - Dual Input Jack PCB Complete | | | 007511 | 1 |
| | 6.3 Vert Phone Jack Stereo Gold Plated - Non Insulated Body | | | 007591 | 2 |
| | 9485 - Cub-12 2009 Fascia Control PCB Complete | | | 007763 | 1 |
| | VR1 | Gain | 1M / 100K Antilog Dual 6mm Spline (A1M Front/C100K Back) | 004116 | 1 |
| | VR2 | Treble | 220K Lin Pot 6mm Spline | 004065 | 1 |
| | VR3 | Tone | 220K Lin Pot 6mm Spline | 004065 | 1 |
| | | | Bracket | 005127 | 1 |
| | VR4 | Mid | 22K Lin Pot 6mm Spline | 004061 | 1 |
| | VR6 | Bass | 1M Log Pot 6mm Spline | 004070 | 1 |
| | VR20 | Volume | 1M Log Pot 6mm Spline | 004070 | 1 |
| | 9486 - Cub-12/R/Head 2010 Tube / PSU PCB Complete | | | 007764 | 1 |
| | 1000uF 25V Radial Electrolytic Capacitor | | | 002009 | 2 |
| | 100 F 450V Radial Electrolytic Capacitor | | | 002030 | 1 |
| | 22 F 450V Radial Electrolytic Capacitor | | | 007204 | 3 |
| | 220R 2.5W Cement Wire Wound Resistor | | | 001501 | 2 |
| | 0.3A Poly Switch JK60-030 | | | 007603 | 2 |
| | DPCO 2A 12V DC Relay Omron G5V-2-H1 | | | 007205 | 1 |
| | 9487 - Cub-12 2010 FX Loop PCB Complete | | | 007765 | 1 |
| 6.3mm Jack Socket Vertical (Mono, Gold, Insulated Body) | | | 007374 | 2 | |
| Tubes Bases | Preamp | ECC83 Tube | | 005550 | 3 |
| | | B9A Valve Base PCB Mount | | 007531 | 3 |
| | O/P | EL84 Tube | | 005563 | 2 |
| | | Octal Valve Base PCB Mount | | 007551 | 2 |
| Cabinet | Cub-12/R 2010 Cabinet Minus Loudspeaker | | | 007758 | 1 |
| | Cub-12/R 2010 Covered Baffle | | | 007759 | 1 |
| | Medium White Chicken Head Knob (Spline) | | | 007208 | 6 |
| | Cub-12 2010 Painted Printed Fascia Metalwork | | | 007760 | 1 |
| | Rubber Handle Clips Assembly. Drg Ref: 4203 | | | 007693 | 1 |
| | Cub-12/R 2010 Rear Grille. Drg Ref: 4248 | | | 007766 | 1 |
| | Laney Badge (Plastic) (Standard Font) 116mm Drg Ref:4169 | | | 007725 | 1 |
| | 90 degree Plastic Corner (Front) 35mm | | | 010052 | 4 |
| | 90 degree Plastic Corner (Rear) 35mm | | | 010053 | 4 |
| | Rocket 50 8 Ohm | | | 51204 | 1 |
| | 38mm X 15mm Rubber Foot with Steel Insert | | | 007473 | 4 |
| | Cub-12/R 2010 Carton | | | 007761 | 1 |
| | Cub-12 2010 User Manual | | | 007762 | 1 |