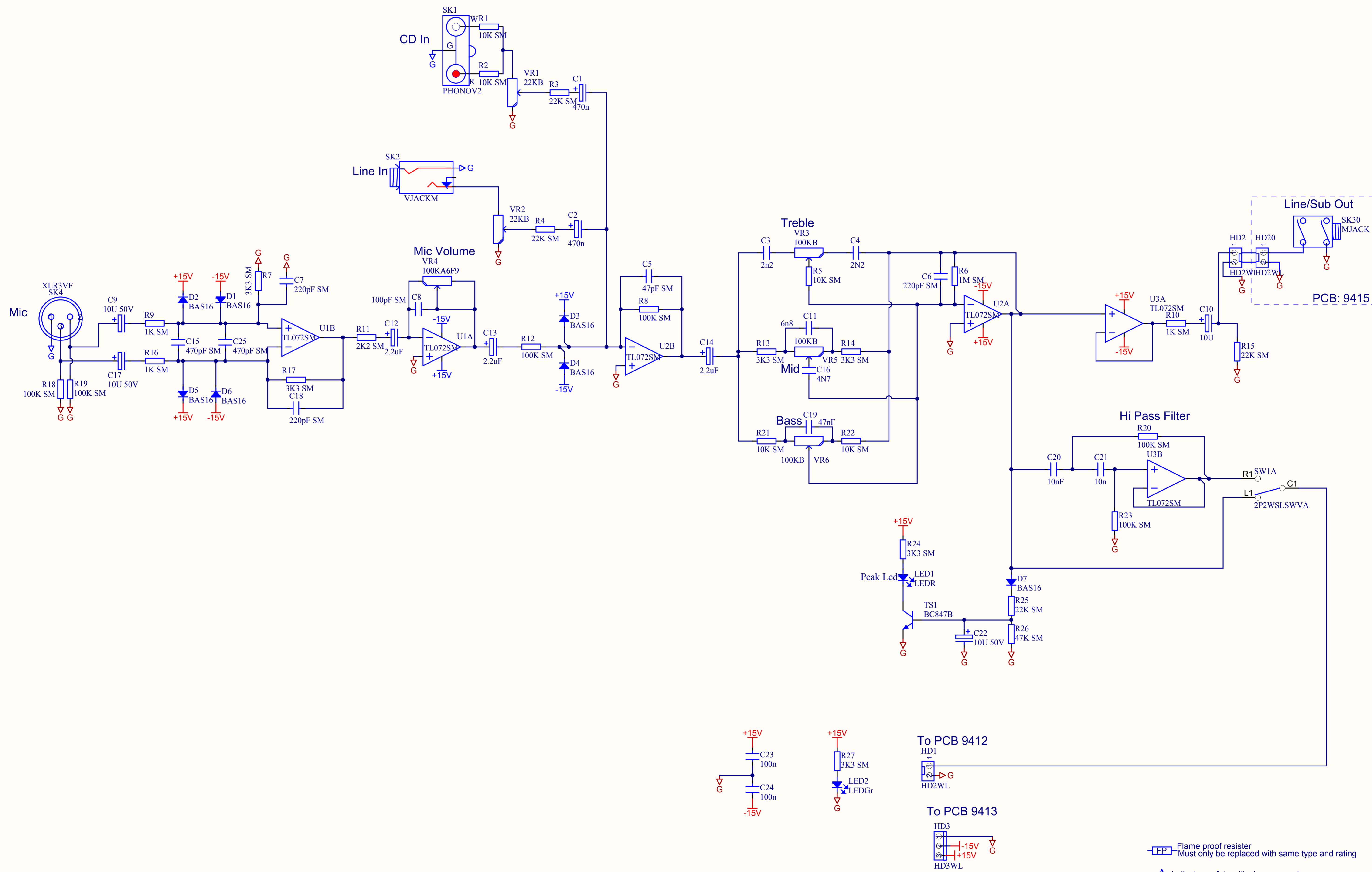




**CX12A**  
**CX15A**  
*Service Information*

**Laney**  
*Classic British Amplification*

**Newlyn Road, Cradley Heath, West Midlands. B64 6BE**  
**[www.laney.co.uk](http://www.laney.co.uk)**



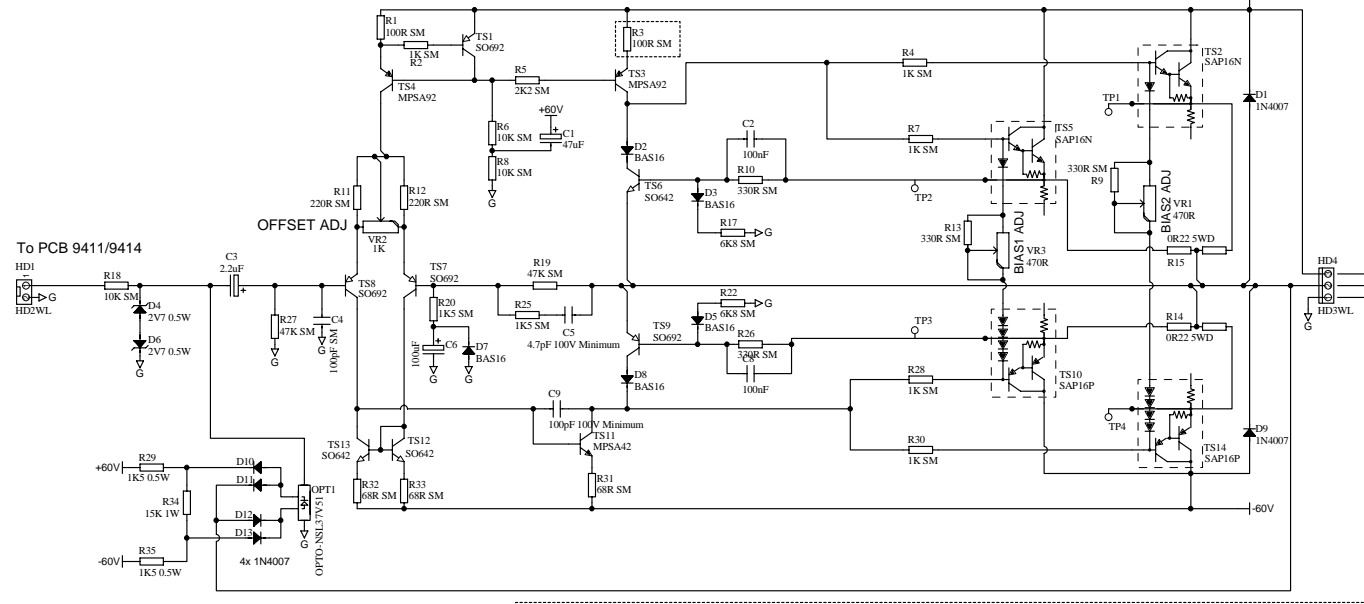
 Flame proof resistor  
 Must only be replaced with same type and rating  
 Indicates safety critical component  
 Must only be replaced with approved type

Title: CX12A/CX15A Input PCB		
Size: A3	Number: 9411	Revision: 4
Date: 30/06/2005	Time: 12:14:14	Sheet 1 of 1
Original File: 9411_4.Sch		

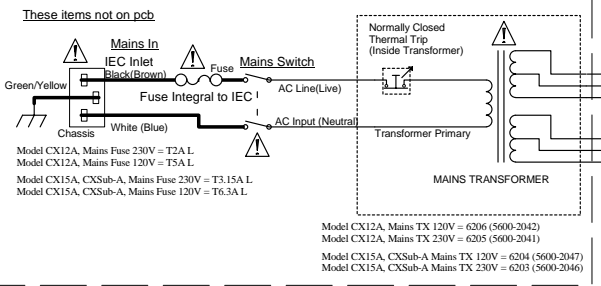
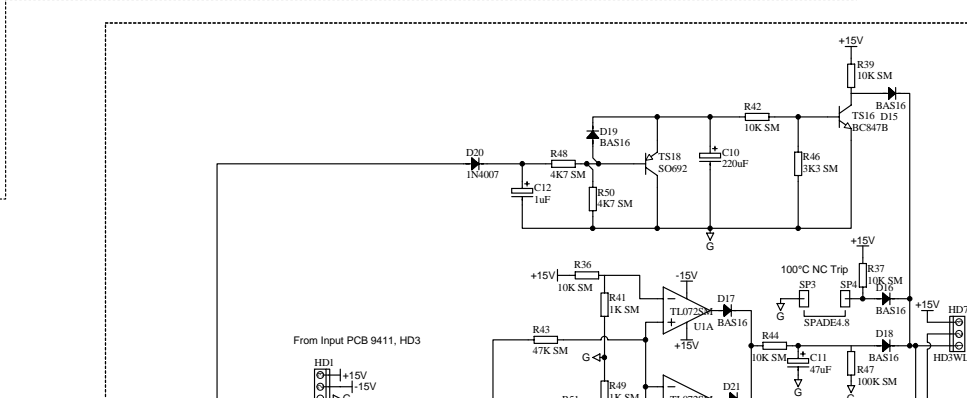
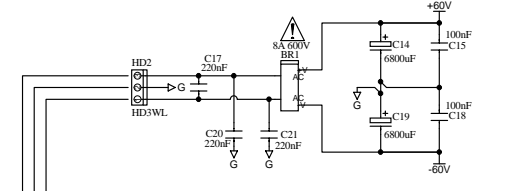
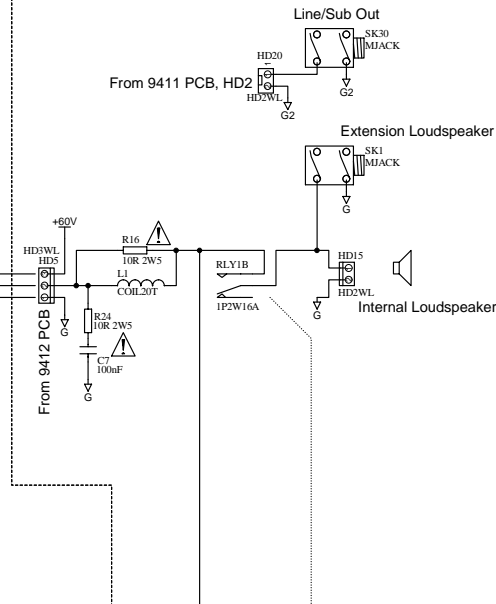
Steelpark Road  
 Coombs Wood  
 Industrial Estate West  
 Halesowen  
 UK  
 www.laney.co.uk



PCB 9412



Note: CX12A/CX15A only.



	CX12-A	CX15-A / CXSub-A
R3	220R	100R
R4	Not Fitted	1K
R30	Not Fitted	1K
R7	0R0	1K
R28	0R0	1K
R9	Not Fitted	330R
VR1	Not Fitted	470R

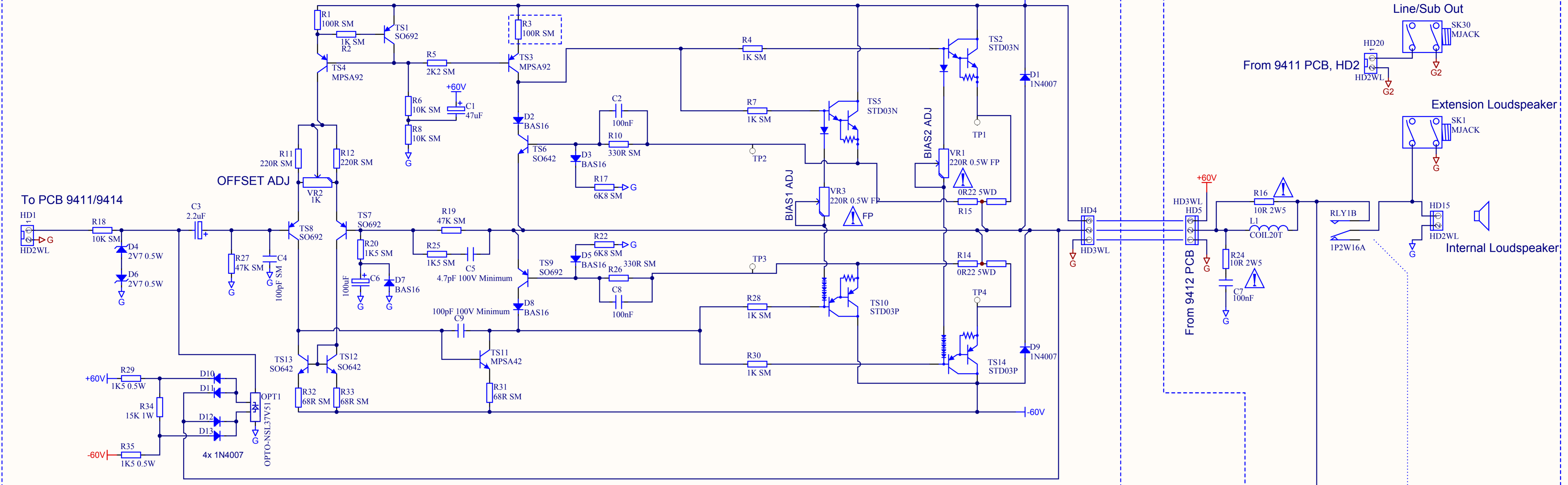
NOTE:  
Set VR1 to give 20mV across TP3 and TP4 (CX15A only)  
Set VR3 to give 20mV across TP2 and TP3  
Refer to service manual before adjusting bias preset  
Flame proof resistor  
Must only be replaced with same type and rating

Indicates safety critical component  
Must only be replaced with approved type

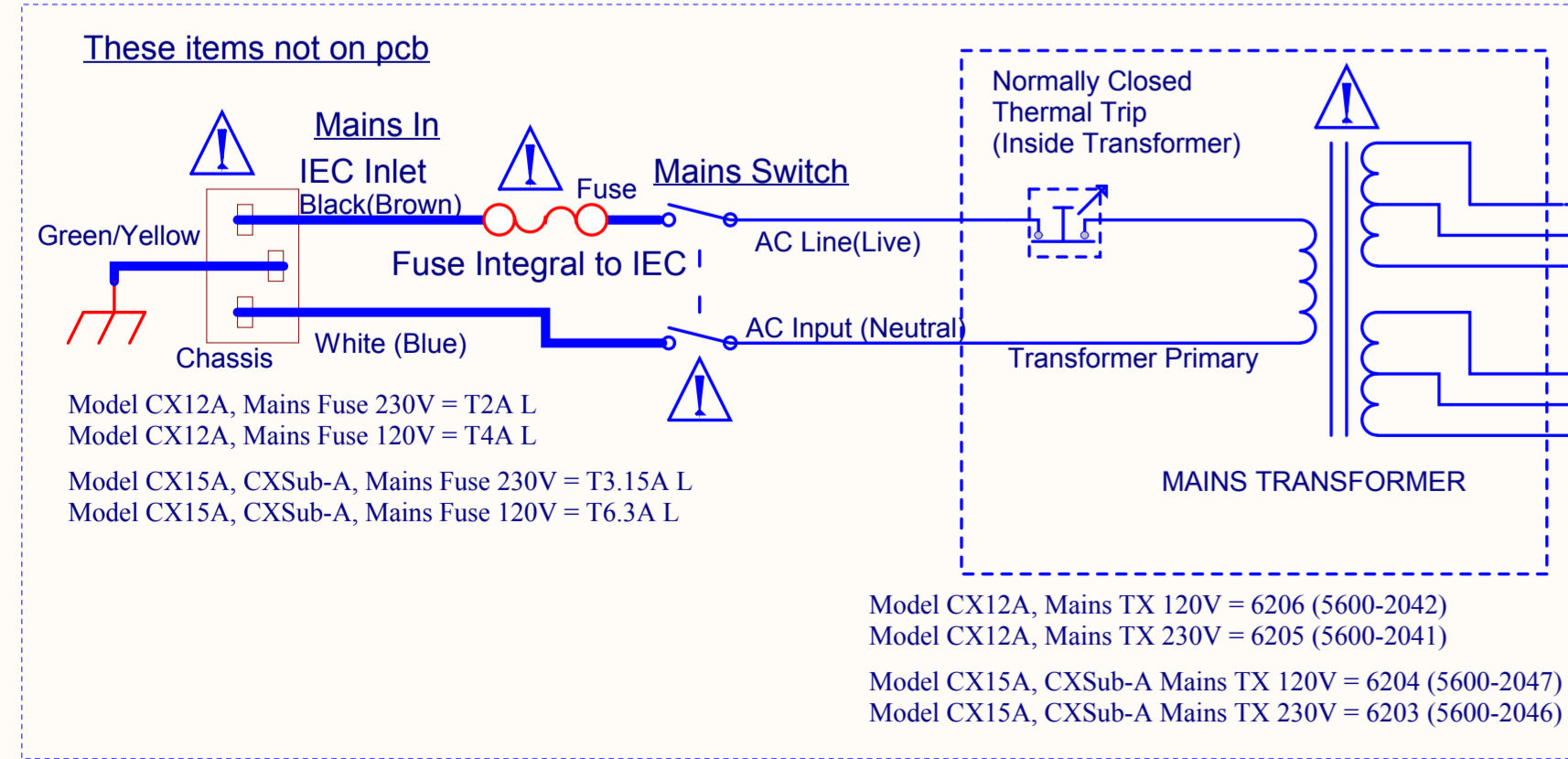
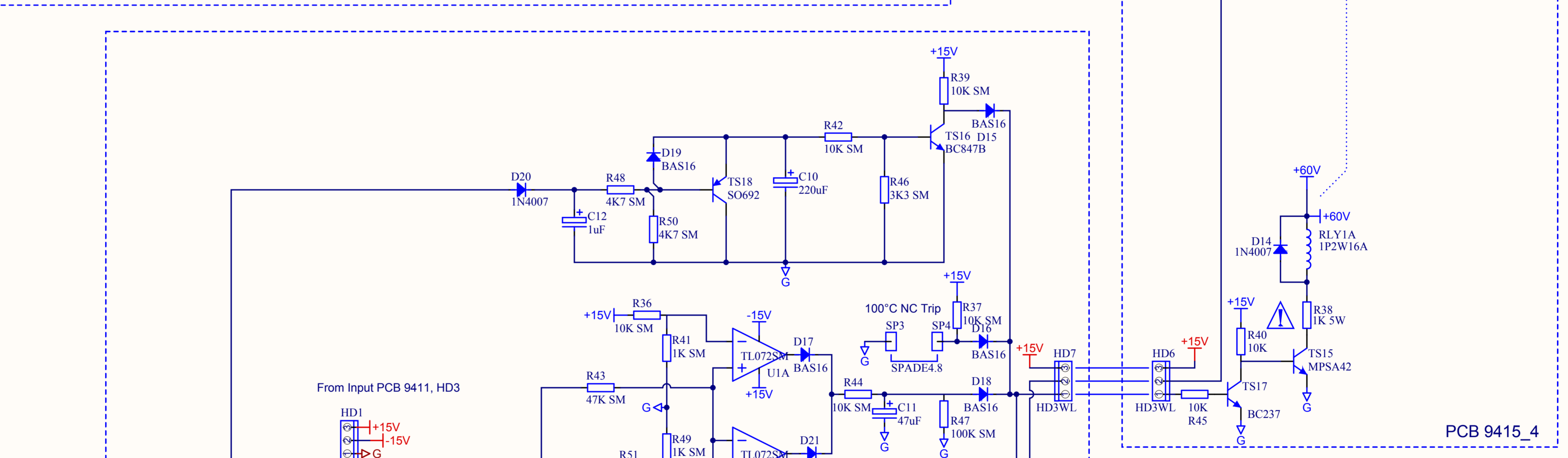
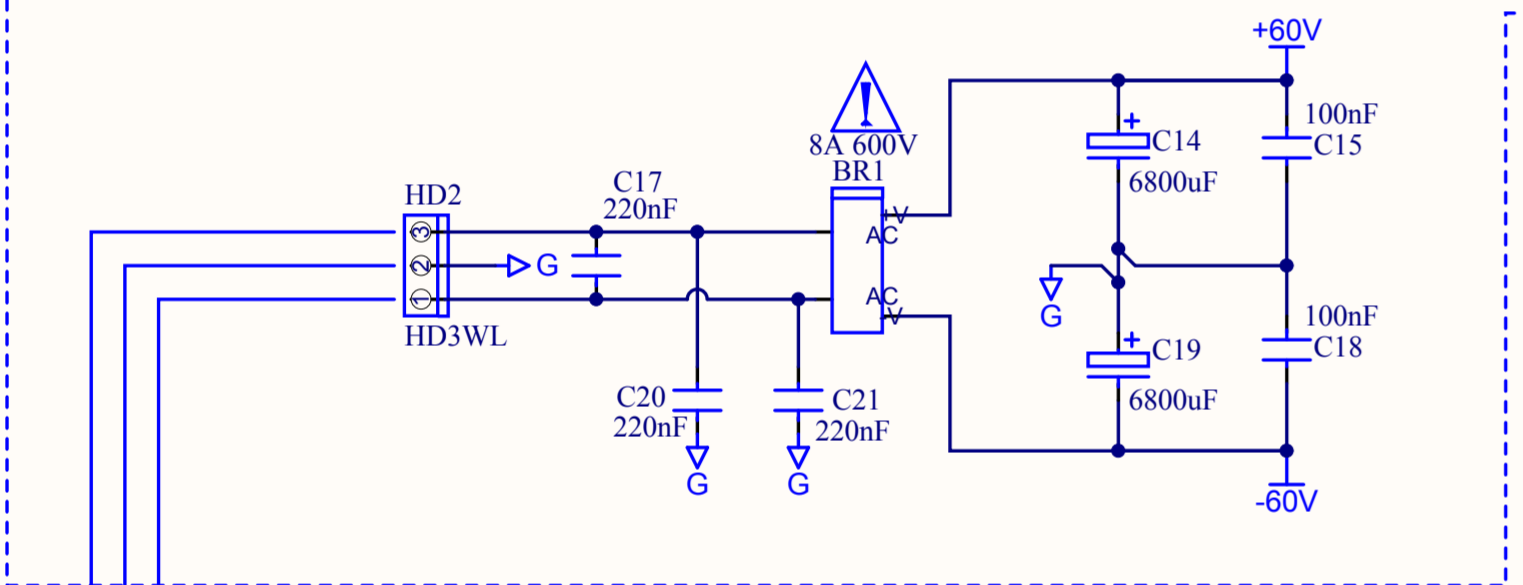
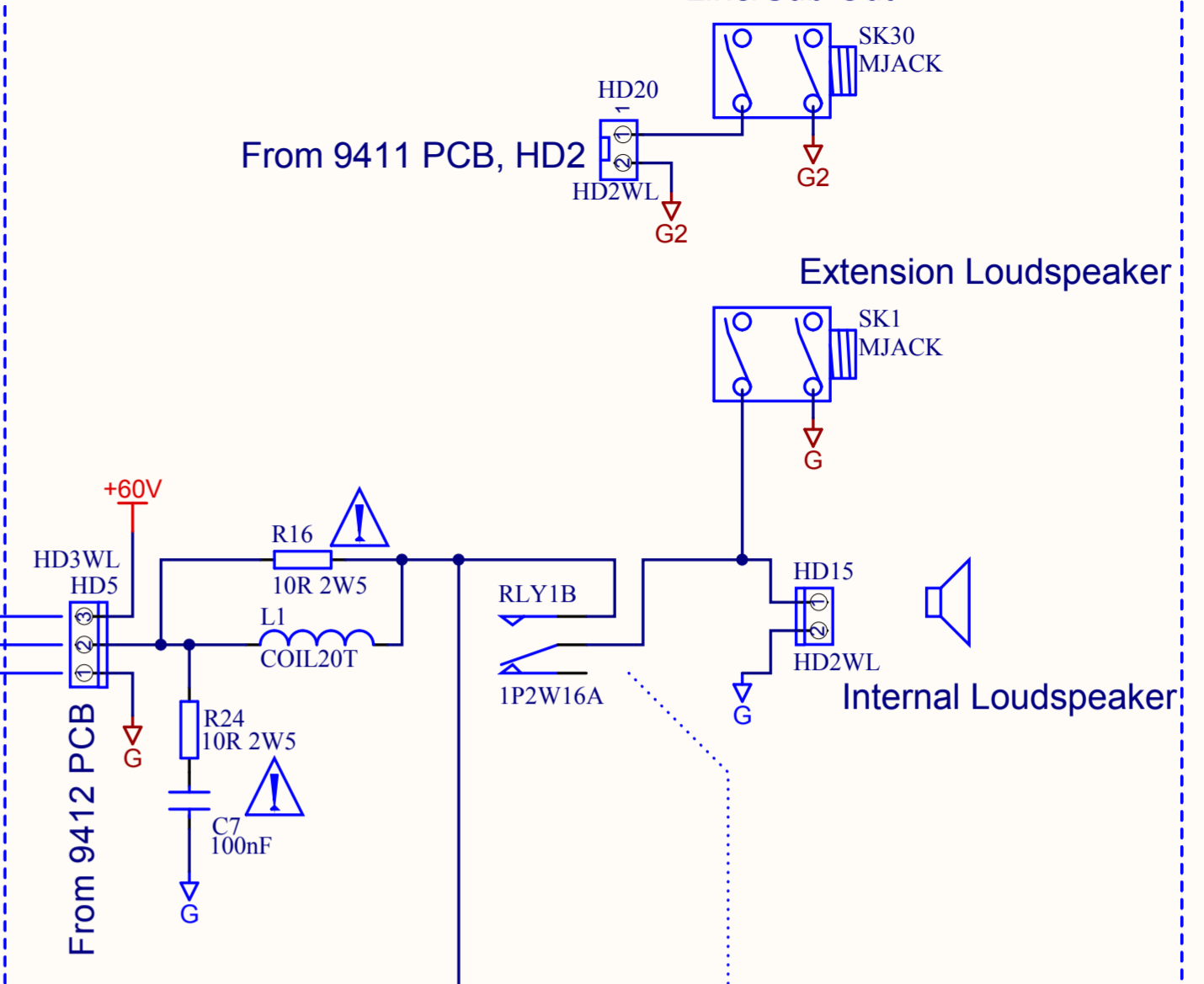
Title: CX12A/CX15A Output PCB's  
Size: A3 Number: 9412/3/5 Revision: 4  
Date: 09/02/2006 Time: 10:48:58 Sheet 1 of 1  
Original File: 9412\_4.SchDoc

Steelpark Road  
Coombs Wood  
Industrial Estate West  
Halesowen  
UK  
www.laney.co.uk

PCB 9412\_5



Note: CX12A/CX15A only!



These items not on pcb

Mains In  
IEC Inlet  
Black(Brown)  
Fuse  
Mains Switch  
Green/Yellow  
White (Blue)  
AC Line(Live)  
AC Input (Neutral)  
Chassis  
Transformer Primary

Normally Closed Thermal Trip (Inside Transformer)

MAINS TRANSFORMER

Model CX12A, Mains Fuse 230V = T2A L  
Model CX12A, Mains Fuse 120V = T4A L  
Model CX15A, CXSub-A, Mains Fuse 230V = T3.15A L  
Model CX15A, CXSub-A, Mains Fuse 120V = T6.3A L

Model CX12A, Mains TX 120V = 6206 (5600-2042)  
Model CX12A, Mains TX 230V = 6205 (5600-2041)  
Model CX15A, CXSub-A Mains TX 120V = 6204 (5600-2047)  
Model CX15A, CXSub-A Mains TX 230V = 6203 (5600-2046)

	CX12-A	CX15-A / CXSub-A
R3	220R	100R
R4	Not Fitted	1K
R30	Not Fitted	1K
R7	0R0	1K
R28	0R0	1K
R9	Not Fitted	330R
VR1	Not Fitted	470R

NOTE:  
Set VR1 to give 20mV across TP3 and TP4 (CX15A only)  
Set VR3 to give 20mV across TP2 and TP3  
Refer to service manual before adjusting bias preset  
FP Flame proof resistor  
Must only be replaced with same type and rating  
Indicates safety critical component  
Must only be replaced with approved type

Title: CX12A/CX15A Output PCB's  
Size: A3 Number: 9412/3/5 Revision: 5  
Date: 04/02/2008 Time: 10:24:49 Sheet 1 of 1  
Original File: 9412.SchDoc

SteelPark Road  
Coombs Wood  
Industrial Estate West  
Halesowen  
UK  
www.laney.co.uk

# CX15-A SPARE PARTS LIST



Model No.		<b>CX15-A</b>		
SPARES ITEM		DESCRIPTION	PART No.	
Mains Transformer	120V	5600-2047 CX15A 120V Mains Transformer	006204	
	230V	5600-2046 CX15A 230V Mains Transformer	006203	
Switch	Power	DPST EQ Mains Switch	530027	
Loudspeaker		15" CX15 Driver	51011	
Horn		1" HF CX12/15 Driver	51012	
Mains Fuse	120V	T6.3A 20mm Spiral Wound	005594	
	230V	T3.15A 20mm Spiral Wound	540021	
PCB's	9411	Input PCB Complete	007083	
	Pots	CD Level	B22K 6mm Flat 9mm Pot Vertical Mount	007030
		Line Level		
		Mic Level	A100K 6mm Flat 9mm Pot Vertical Mount	004002
		Treble Mid Bass	B100K 6mm Flat 9mm Pot Vertical Mount	004004
	Mic		XLR3F Vertical Female XLR	005307
	Line In		6.3mm Phone Jack Socket Vertical Switched	008309
	Switch	Sub Filter	2P2W Vertical Slide Switch	
		on/off		005312
	Phono		Dual Phono Sockets Vertical PCB Mount	005306
	9415		Speaker Output PCB Complete	007163
			1/4 Jack Socket PCB Mount	005002
	9412		CX15-A/CX-Sub-A Output PCB 9412 Assy	007434
9413		CX-A Protection PCB Complete	007066	
Control Knob	1	Grey body/Red Line PA Knob	005049	
	2	Grey body/Blue Line PA Knob	005052	
Mains Inlet Socket		IEC Mains Inlet Fused	005005	
Mains Lead		Country Dependant		
Feet		CX Cab Feet	10060	
Fan		80mm 24V DC Fan	007012	
Output / Safety Critical Device	1	<b>SAP15N Darlington Power (NPN) OBSOLETE</b>	<b>003807</b>	
	2	<b>SAP15P Darlington Power (PNP) OBSOLETE</b>	<b>003808</b>	
	1	STD03N Darlington Power (NPN) Replacement for above	003817	
	2	STD03P Darlington Power (PNP) Replacement for above	003818	
		0R22 5% 5W Emitter Resistor (1 Reqd.for each STD Device)	007036	
		If you experience difficulty fitting, contact Laney service		
	3	6800uF 63V Radial Capacitor	002021	
	4	1000uF 25V Radial Capacitor	002009	
	5	1K 5W Resistor	001701	
	6	10R 2.5W Resistor	001500	
	7	0.9A Poly Switch MFR 090	005103	
8	1.5A Inline Bridge 200V	003017		
9	8A Inline Bridge 600V	003040		
Manual		CX15-A User Manual	007065	

CX12-A SPARE PARTS LIST



Model No. <b>CX12-A</b>				
SPARES ITEM		DESCRIPTION	PART No.	
Mains Transformer	120V	5600-2042 CX12A 120V Mains Transformer	006206	
	230V	5600-2041 CX12A 230V Mains Transformer	006205	
Switch	Power	DPST EQ Mains Switch	530027	
Loudspeaker		12" CX12 Driver	51010	
Horn		1" HF CX12/15 Driver	51012	
Mains Fuse	120V	T5A 20mm Spiral Wound	005561	
	230V	T2A 20mm Spiral Wound	005526	
PCB's	9411	Input PCB Complete	007083	
	Pots	CD Level	B22K 6mm Flat 9mm Pot Vertical	007030
		Line Level	Mount	
		Mic Level	A100K 6mm Flat 9mm Pot Vertical	004002
		Treble Mid Bass	B100K 6mm Flat 9mm Pot Vertical	004004
	Mic		XLR3F Vertical Female XLR	005307
	Line In		6.3mm Phone Jack Socket Vertical Switched	005309
	Switch	Sub Filter	2P2W Vertical Slide Switch	005312
	Phono		Dual Phono Sockets Vertical PCB Mount	005306
	9415		Speaker Output PCB Complete	007163
			1/4 Jack Socket PCB Mount	005002
	9412		CX12-A Output PCB 9412 Assy	007136
9413		CX-A Protection PCB Complete	007066	
Control Knob	1	Grey body/Red Line PA Knob	005049	
	2	Grey body/Blue Line PA Knob	005052	
Mains Inlet Socket		IEC Mains Inlet Fused	005005	
Mains Lead		Country Dependant		
Feet		CX Cab Feet	10060	
Fan		80mm 24V DC Fan	007012	
Output / Safety Critical Device	1	<b>SAP15N Darlington Power (NPN) OBSOLETE</b>	<b>003807</b>	
	2	<b>SAP15P Darlington Power (PNP) OBSOLETE</b>	<b>003808</b>	
	1	STD03N Darlington Power (NPN) Replacement for a	003817	
	2	STD03P Darlington Power (PNP) Replacement for a	003818	
		0R22 5% 5W Emitter Resistor (1 Reqd.for each STD	007036	
		If you experience difficulty fitting, contact Laney servi		
	3	6800uF 63V Radial Capacitor	002021	
	4	1000uF 25V Radial Capacitor	002009	
	5	1K 5W Resistor	001701	
	6	10R 2.5W Resistor	001500	
	7	0.9A Poly Switch MFR 090	005103	
8	1.5A Inline Bridge 200V	003017		
9	8A Inline Bridge 600V	003040		
Manual		CX12-A User Manual	007064	

CXSUB-A SPARE PARTS LIST



Model No. <b>CXSUB-A</b>
-----------------------------

SPARES ITEM	DESCRIPTION	PART No.
-------------	-------------	----------

Mains Transformer	120V	5600-2047 CX15A 120V Mains Transformer	006204		
	230V	5600-2046 CX15A 230V Mains Transformer	006203		
Switch	Power	DPST EQ Mains Switch	530027		
Loudspeaker		Celestion Truvox 1525 8 Ohm	007047		
Mains Fuse	120V	T6.3A 20mm Spiral Wound	005594		
	230V	T3.15A 20mm Spiral Wound	540021		
Corners	Front/Back	Black Non Hooked Type	007035		
PCB's	9414	SUB-A Input PCB Complete	007168		
	Pots	Level	B22K 6mm Flat 9mm Pot Vertical Mount	007030	
	Socket	Inputs Extension	1/4 Jack Socket PCB Mount		005002
			Switch	Phase + -	
	Phono		Dual Phono Sockets Vertical PCB Mount	005306	
		9412	CX15-A/CX-Sub-A Output PCB 9412 Assy	007434	
		9413	CX-A Protection PCB Complete	007066	
Mains Inlet Socket		IEC Mains Inlet Fused	005005		
Mains Lead		Country Dependant			
Handle		Large Bar Handle	10104		
Feet		Screw on Rubber	10060		
Fan		80mm 24V DC Fan	007012		
Output / Safety Critical Device	1	<b>SAP15N Darlington Power (NPN) OBSOLETE</b>	<b>003807</b>		
	2	<b>SAP15P Darlington Power (PNP) OBSOLETE</b>	<b>003808</b>		
	1	STD03N Darlington Power (NPN) Replacement for above	003817		
	2	STD03P Darlington Power (PNP) Replacement for above	003818		
		0R22 5% 5W Emitter Resistor (1 Reqd.for each STD Dev	007036		
		If you experience difficulty fitting, contact Laney service			
	3	6800uF 63V Radial Capacitor	002021		
	4	1000uF 25V Radial Capacitor	002009		
	5	1K 5W Resistor	001701		
	6	10R 2.5W Resistor	001500		
7	0.9A Poly Switch MFR 090	005103			
8	1.5A Inline Bridge 200V	003017			
9	8A Inline Bridge 600V	003040			
Manual		CXSUB-A User Manual	007067		