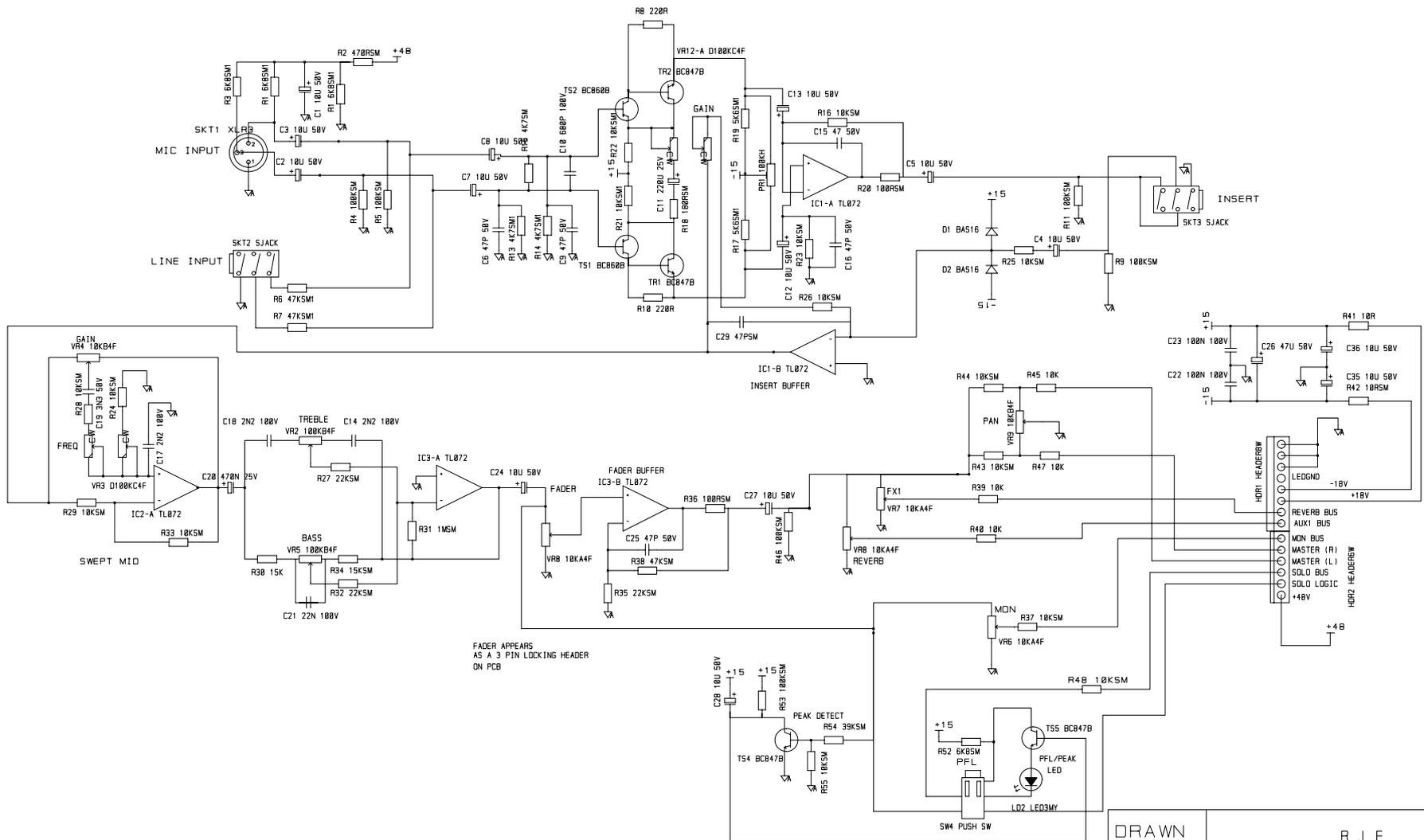


Laney

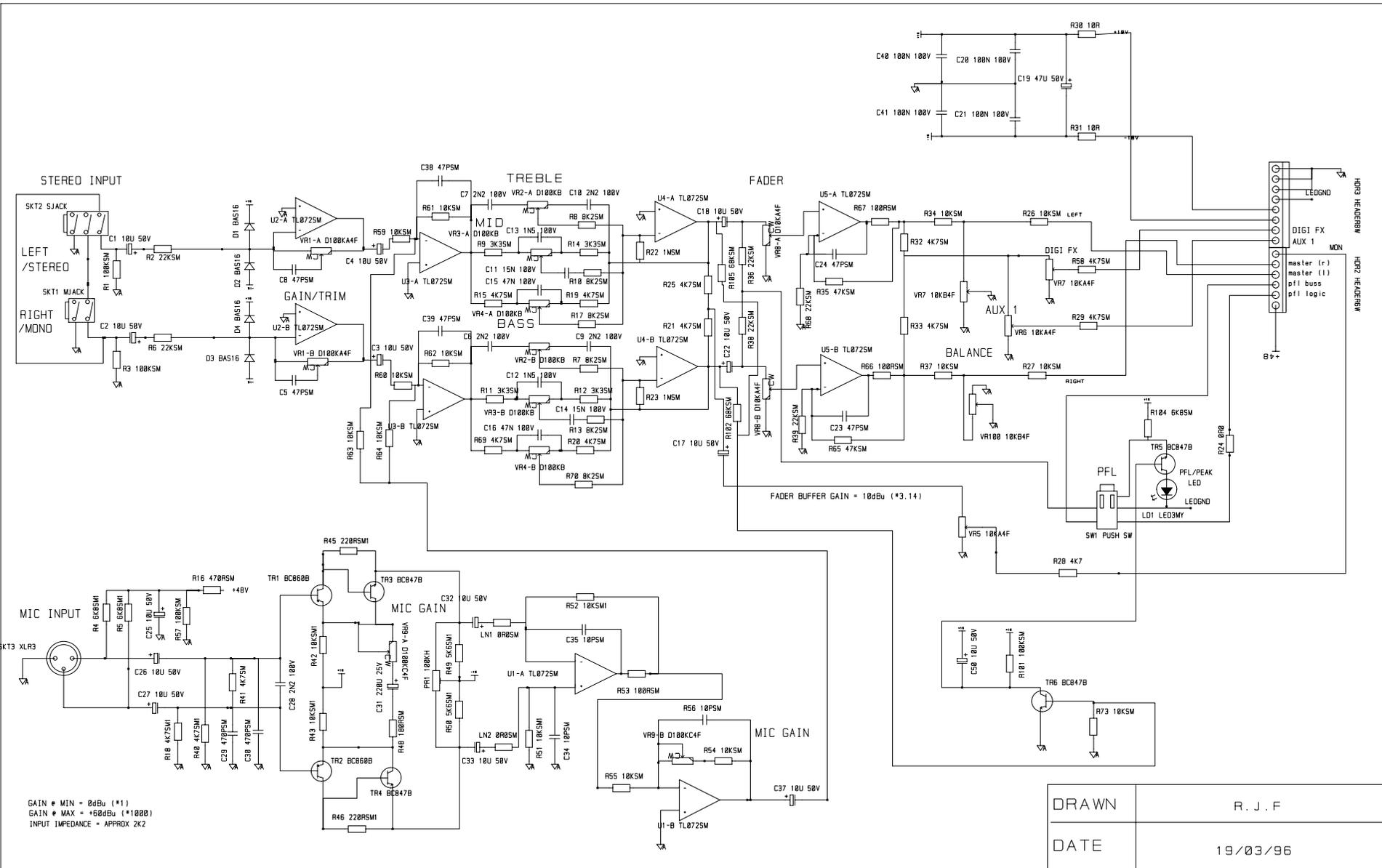
Service Diagrams



FADER APPEARS AS A 3 PIN LOCKING HEADER ON PCB

DRAWN	R. J. F
DATE	27/09/95
TITLE	MIC INPUT CHANNEL
DRW. NO.	PCB 9080_4

ISSUE	USED IN	17/7/96
TYPE	P308 P510 P516	R18 TO 180RSM

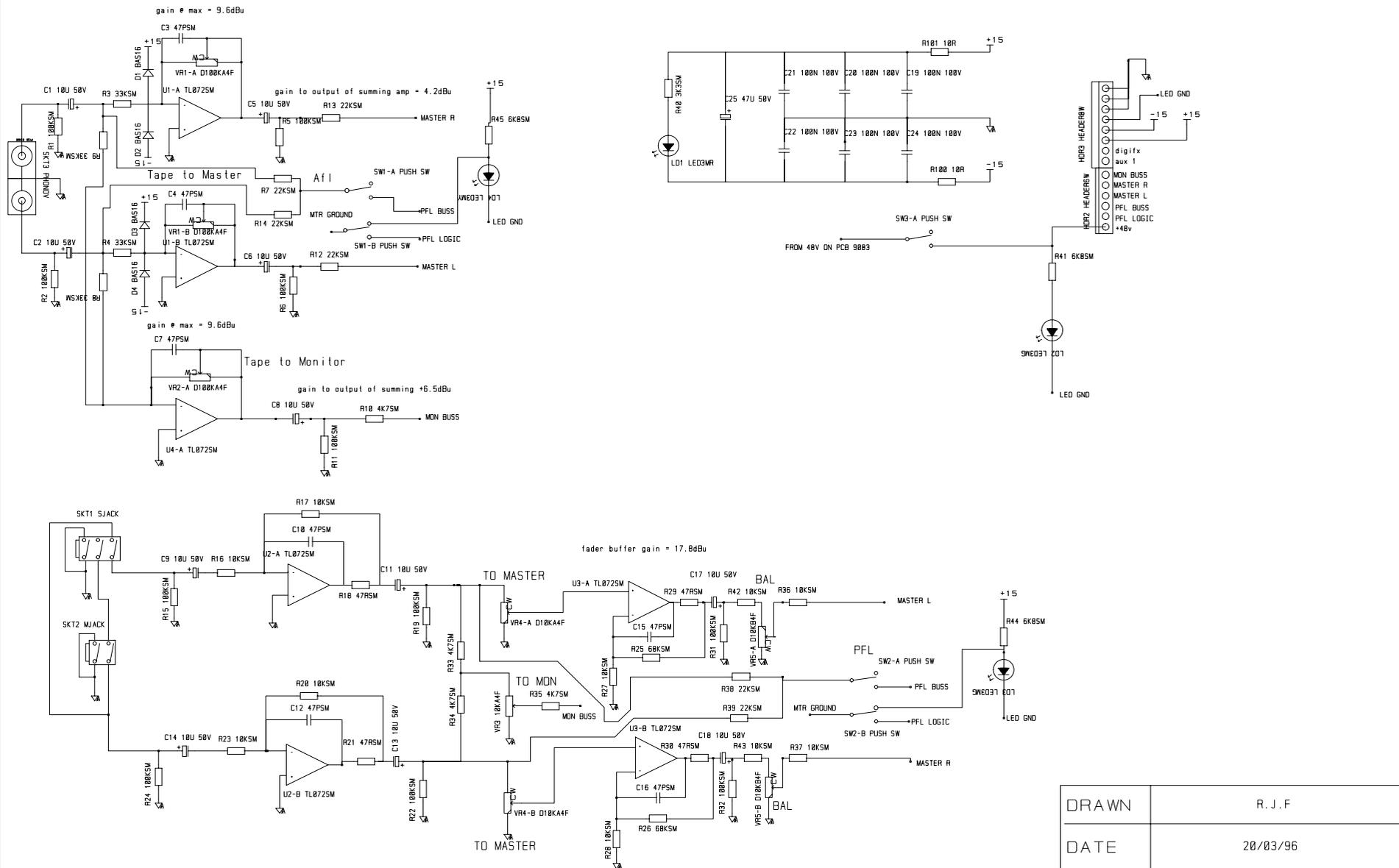


GAIN * MIN = 0dBu (*1)
 GAIN * MAX = +60dBu (*1000)
 INPUT IMPEDANCE = APPROX 2K2

FADER BUFFER GAIN = 10dBu (*3.14)

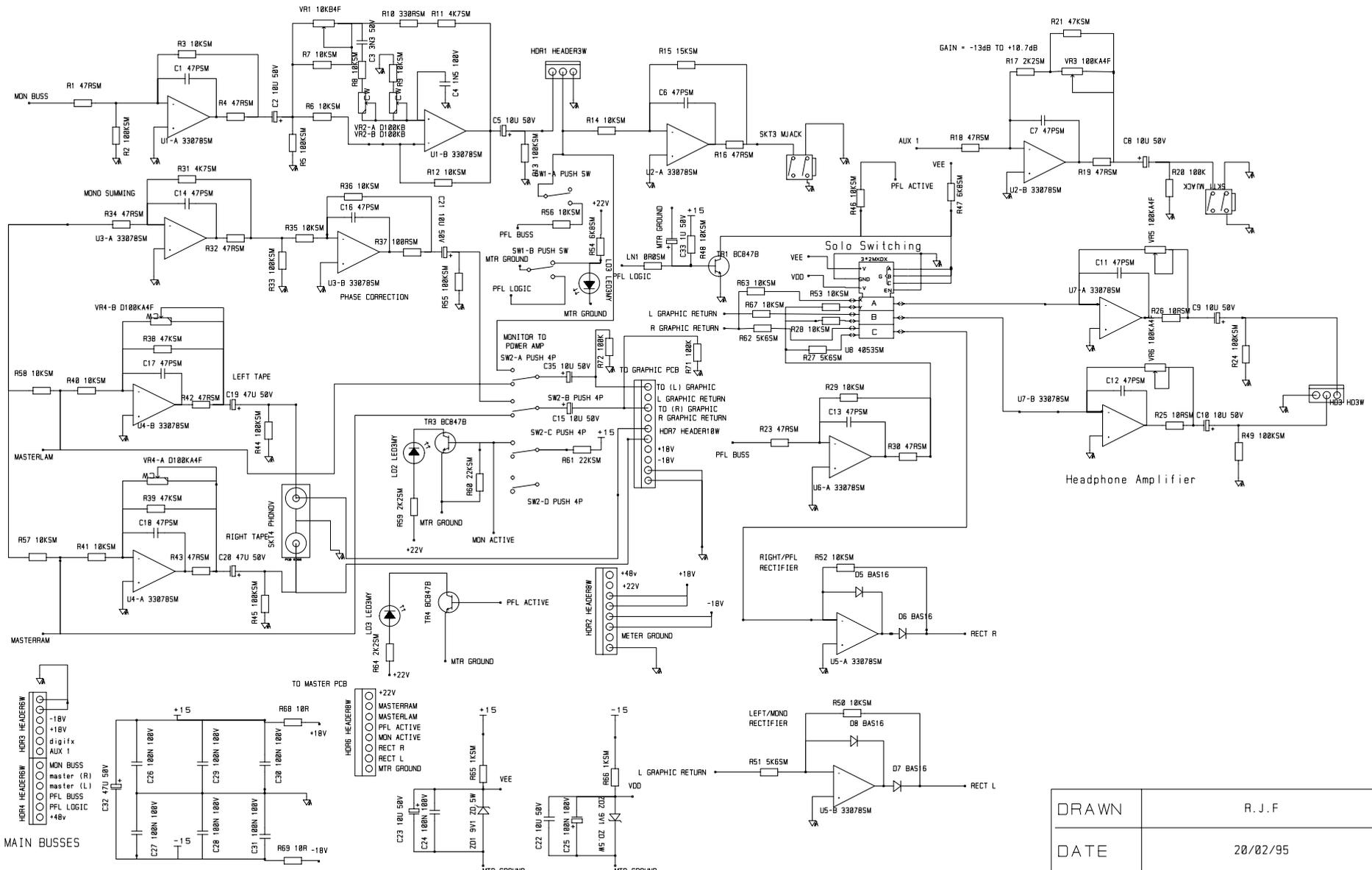
DRAWN	R. J. F
DATE	19/03/96
TITLE	MIC/STEREO INPUT CHANNEL
DRW. NO.	PCB 9081_3

ISSUE	USED IN	18/07/96
TYPE	CONCEPT 10 P510 CONCEPT 16 P516	R48 TO 100RSM FROM 68RSM (MIC GAIN * MAX TO +60dBu)

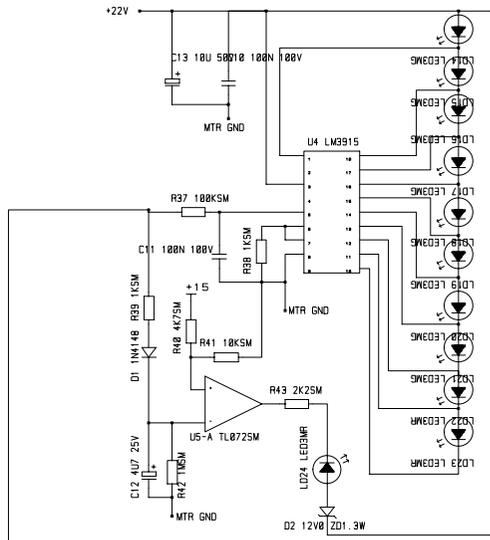
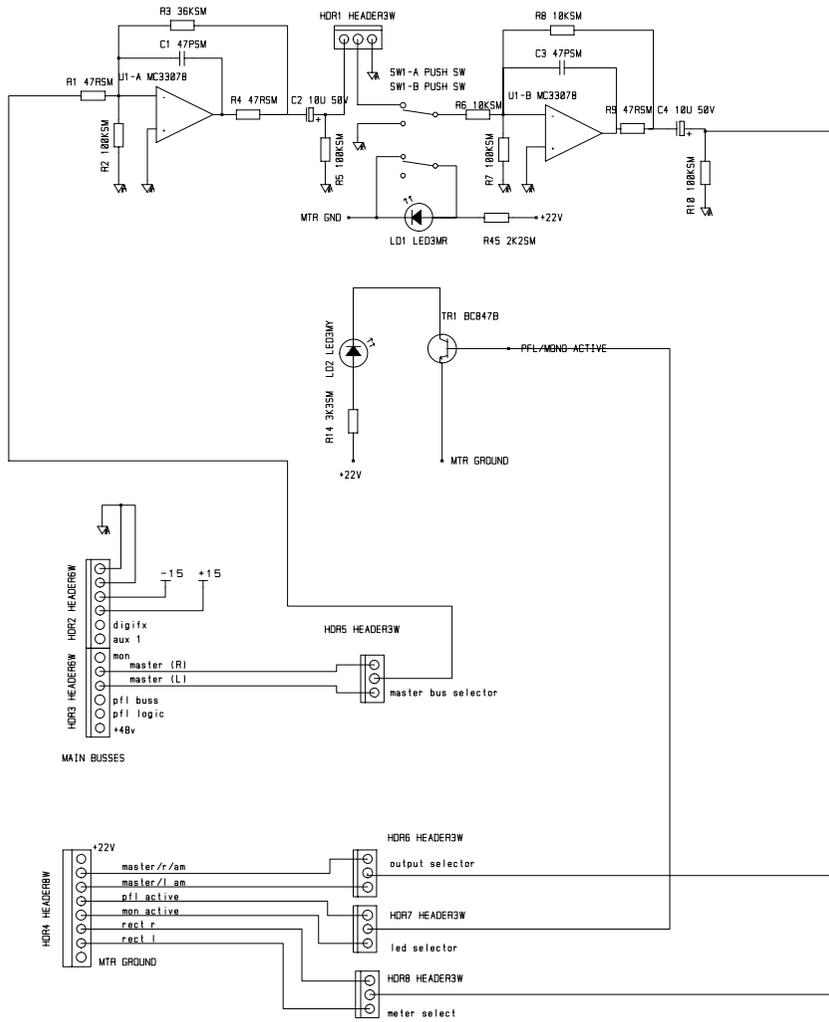


DRAWN	R. J. F
DATE	20/03/96
TITLE	AUX ONE (INPUT) PCB
DRW. NO.	PCB9082

ISSUE	USED IN	issue two	issue three
TYPE	CONCEPT 10 P510 CONCEPT 16 P516		

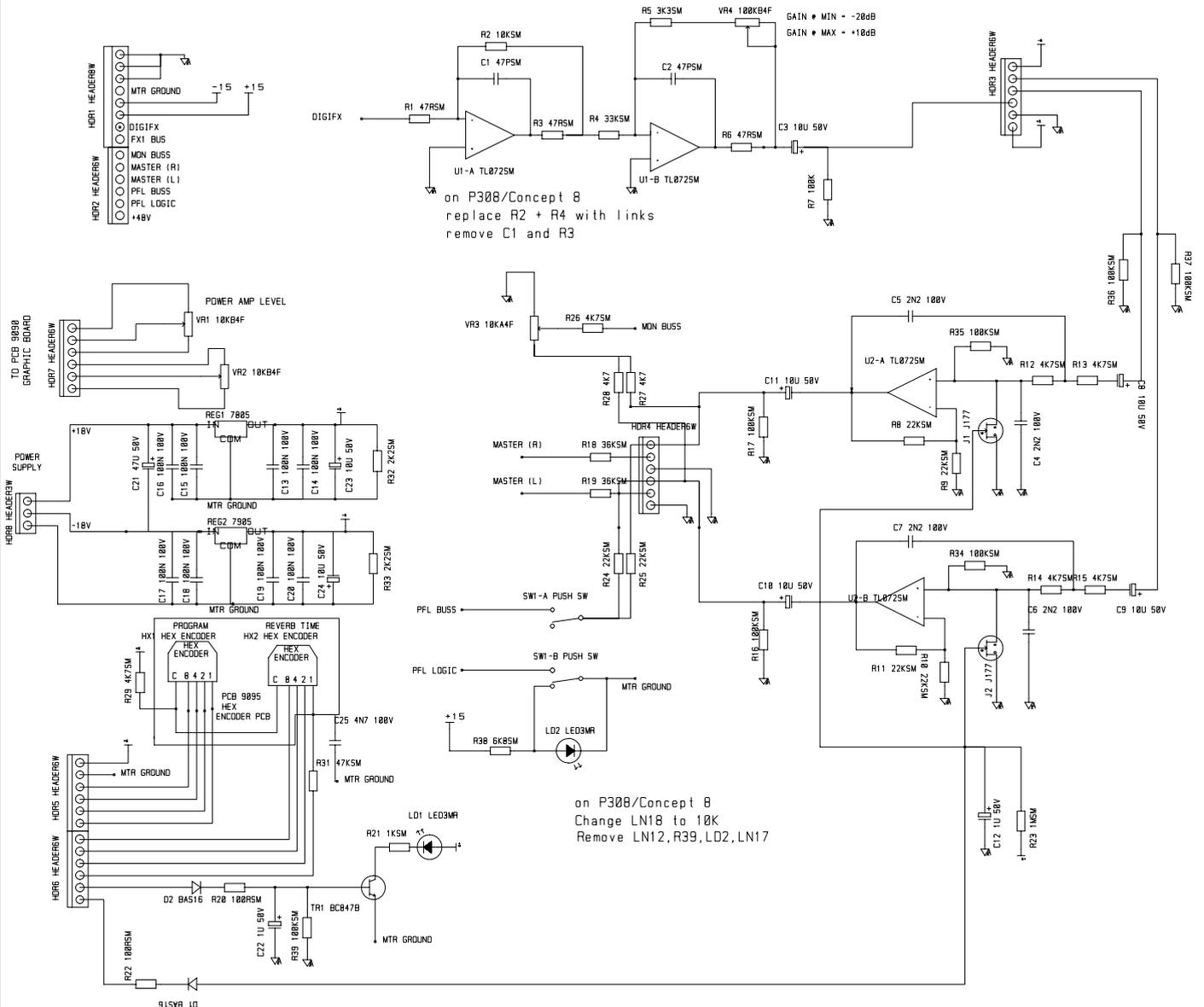


ISSUE	16/05/95	TWO 27/09/95	Three 21/03/96		DRAWN	R. J. F
TYPE					DATE	20/02/95
					TITLE	PERFORMER 510 AUXILIARY OUTPUT PCB
					DRW. NO.	PCB 9083



DRAWN	R. J. F
DATE	15/02/95
TITLE	MASTER PCB
DRW. NO.	PCB 9084_2

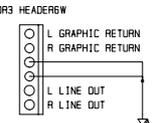
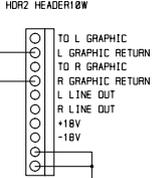
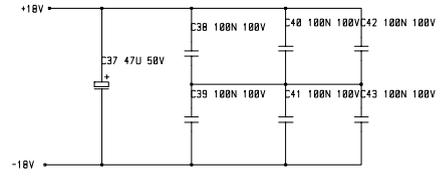
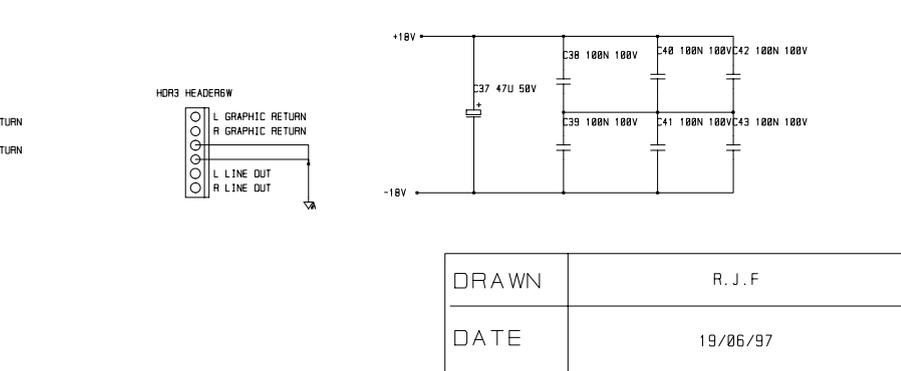
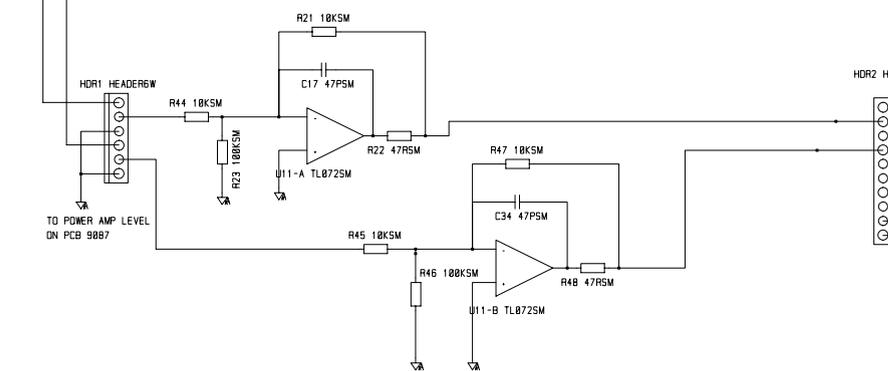
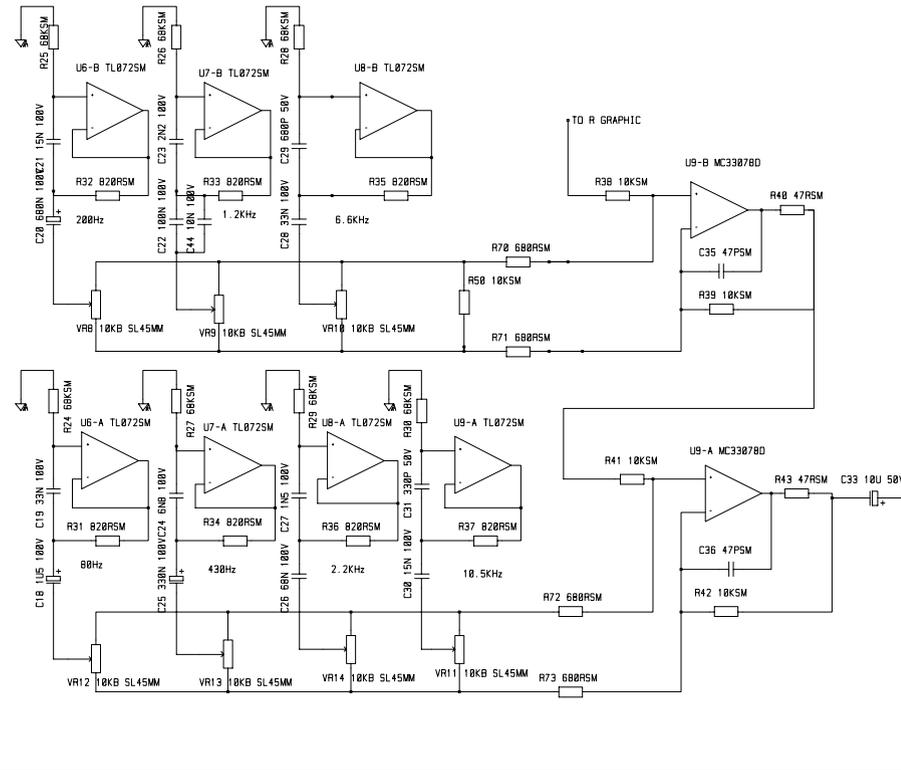
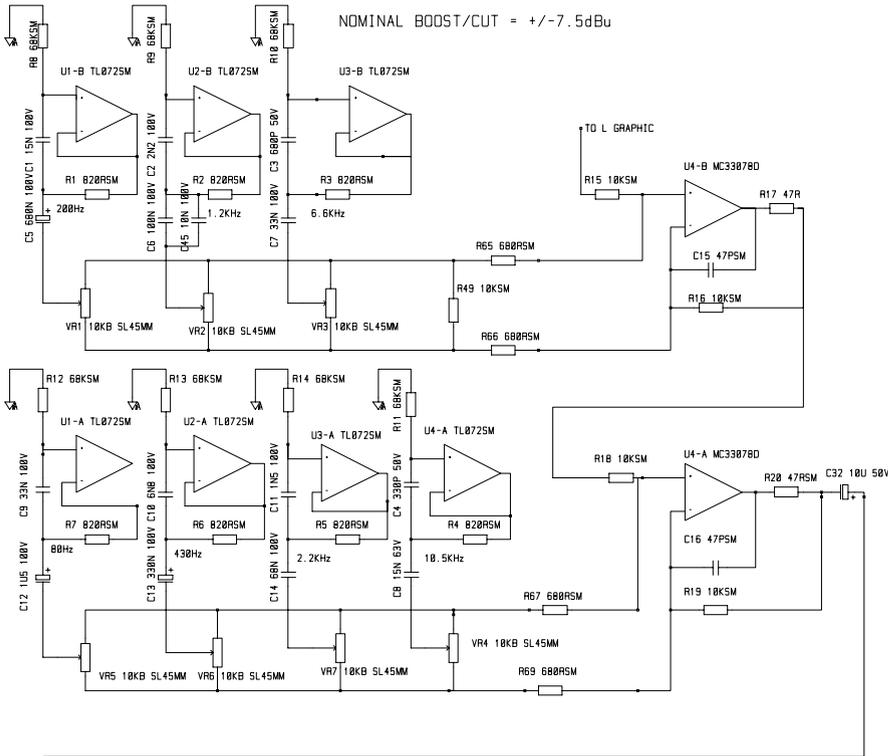
ISSUE	USED IN	TWO				
TYPE	CONCEPT 10 CONCEPT 16	P510 P516	MC3387B ADDED			



DRAWN	R. J. F
DATE	21/03/96
TITLE	DIGITAL CONTROL BOARD FOR REV - 1 (REVERB BOARD)
DRW. NO.	PCB 9087_5

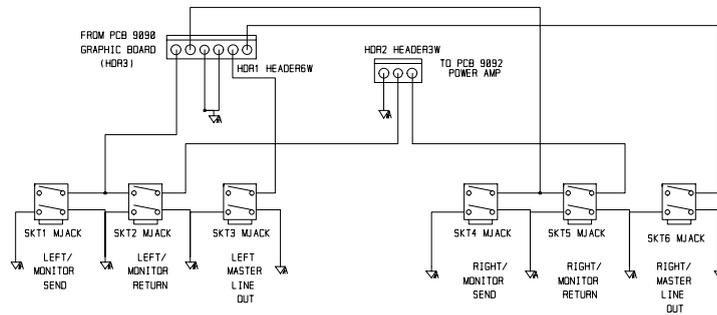
ISSUE	USED IN				
TYPE	CONCEPT 8 P308M	P510 P516			

NOMINAL BOOST/CUT = +/-7.5dBu



DRAWN	R. J. F
DATE	19/06/97
TITLE	7 BAND STEREO GRAPHIC
DRW. NO.	PCB 9090_3

ISSUE	USED IN				
TYPE	P510 CONCEPT 16 P516 CONCEPT 10				



DRAWN	R. J. F
DATE	29/09/95
TITLE	MIXER INSERT LOOP PCB
DRW. NO.	PCB 9094_2

ISSUE	USED IN				
TYPE	P510 CONCEPT 10 P516 CONCEPT 16				