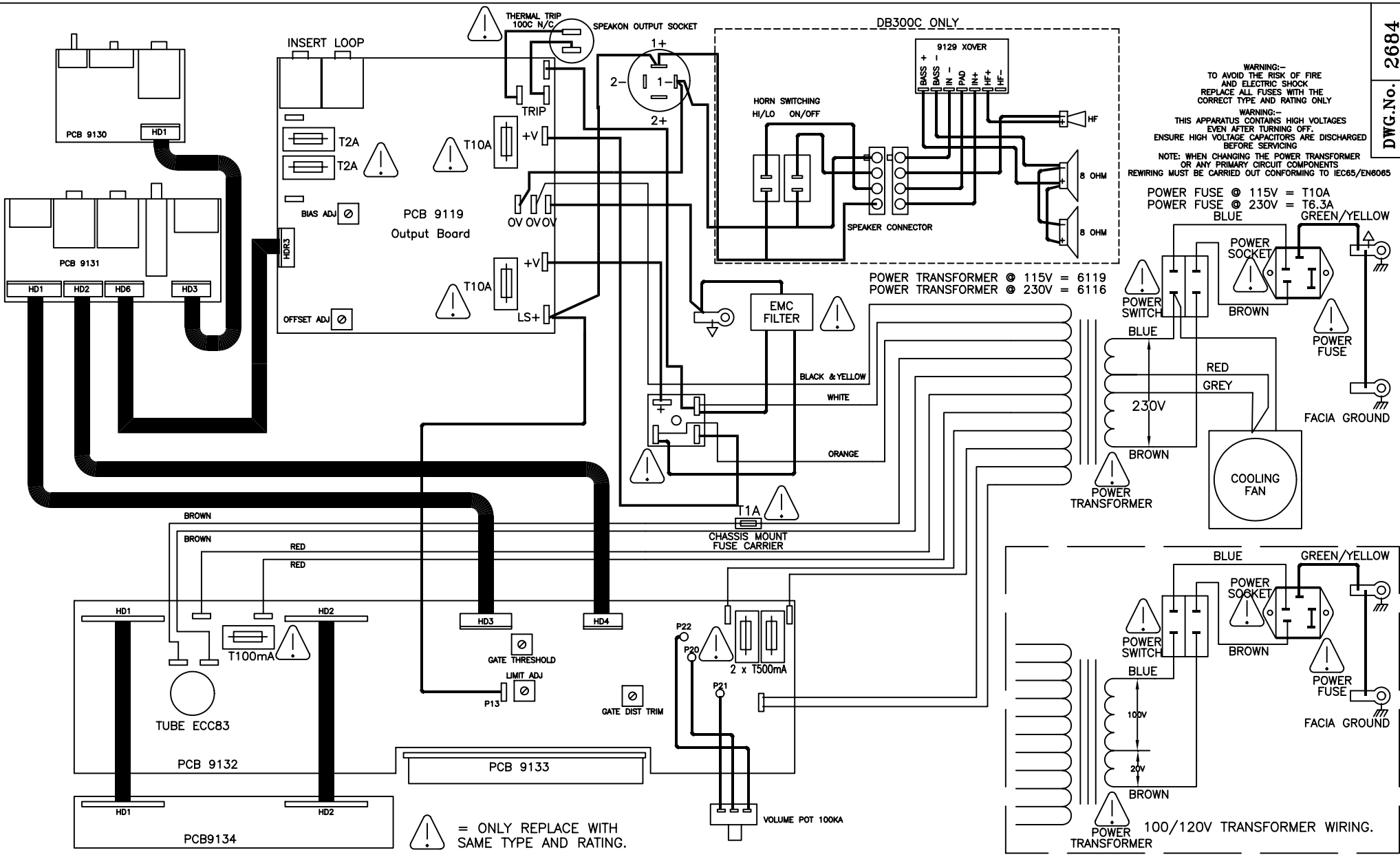


# Laney

**Service Diagrams**



**WARNING:—**  
 TO AVOID THE RISK OF FIRE  
 AND ELECTRIC SHOCK  
 REPLACE ALL FUSES WITH THE  
 CORRECT TYPE AND RATING ONLY

**WARNING:—**  
 THIS APPARATUS CONTAINS HIGH VOLTAGES  
 EVEN AFTER TURNING OFF.  
 ENSURE HIGH VOLTAGE CAPACITORS ARE DISCHARGED  
 BEFORE SERVICING

**NOTE: WHEN CHANGING THE POWER TRANSFORMER  
 OR ANY PRIMARY CIRCUIT COMPONENTS  
 REWIRING MUST BE CARRIED OUT CONFORMING TO IEC85/EN6065**

POWER FUSE @ 115V = T10A  
 POWER FUSE @ 230V = T6.3A  
 BLUE GREEN/YELLOW

! = ONLY REPLACE WITH  
 SAME TYPE AND RATING.

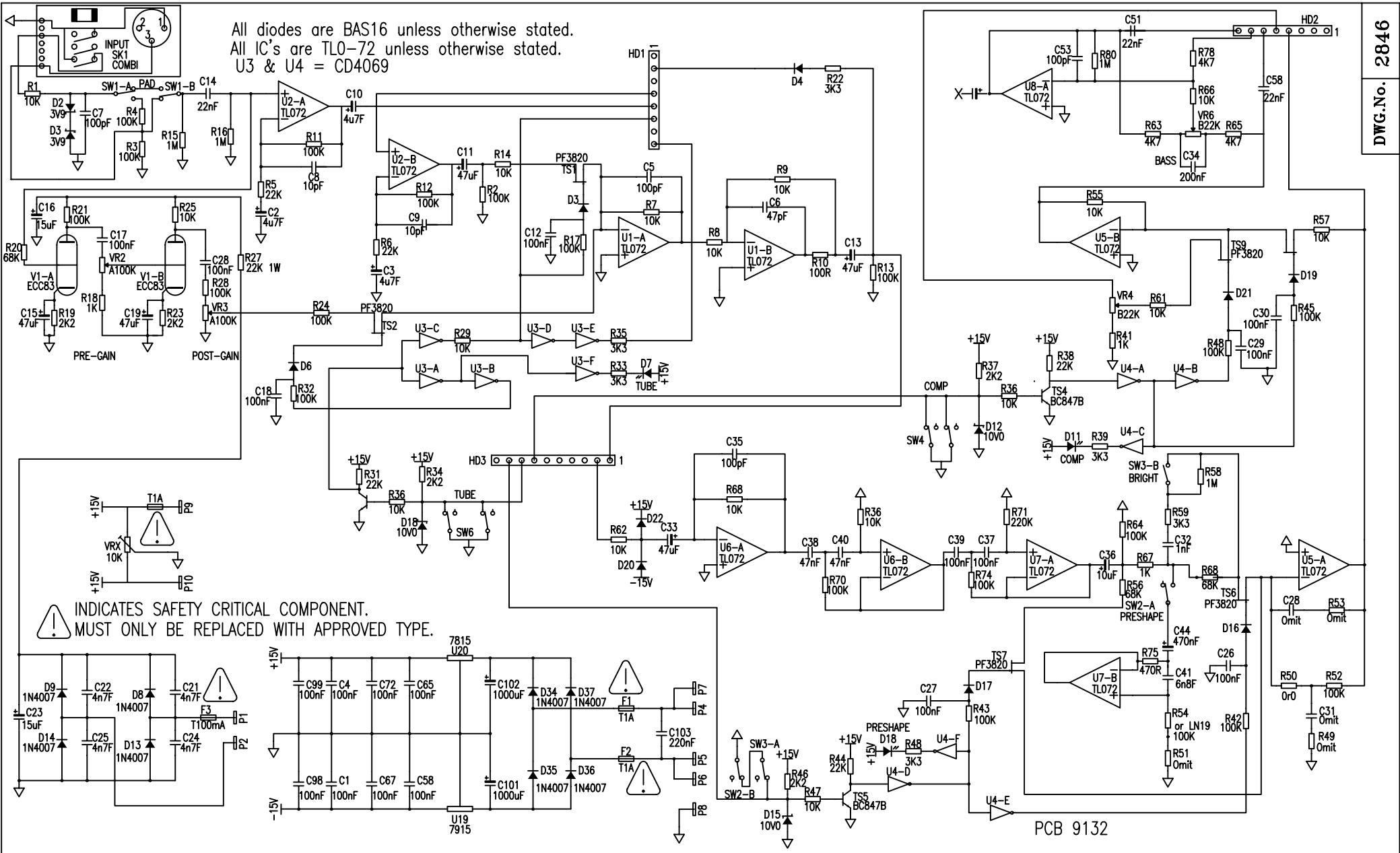
ISSUE	DESCRIPTION	APPD.	DATE

**BLT**  
 Industries Ltd.

**TITLE**  
 DB400 SERVICE  
 DIAGRAM.  
 PART No

DRAWN	TRACED	CHECKED	APPROVED	DATE
DEH				18/09/97
<b>DRAWING No.</b>		<b>2684</b>		

All diodes are BAS16 unless otherwise stated.  
 All IC's are TL072 unless otherwise stated.  
 U3 & U4 = CD4069



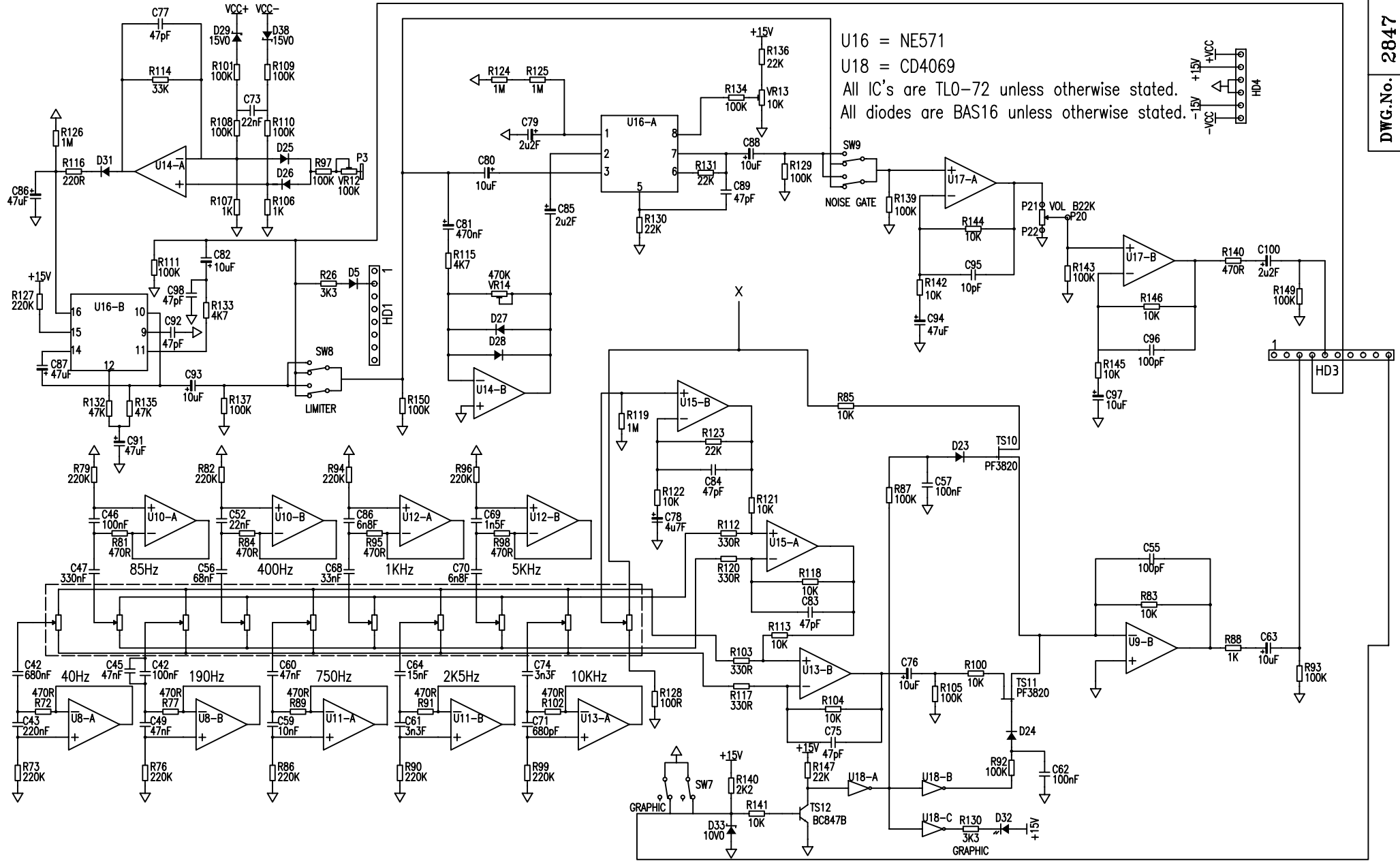
INDICATES SAFETY CRITICAL COMPONENT.  
 MUST ONLY BE REPLACED WITH APPROVED TYPE.

ISSUE	DESCRIPTION	APPD.	DATE
3	see Change note 250	R.J.F	28/04/99
2	R37 10K TO 2K2, R24 10K TO 100K, C34 47n TO 220n	S.L.	5/9/97

**BLT**  
 Industries Ltd.

**TITLE**  
 DB300 / DB400  
 PREAMP (1 of 2)  
 PART No

DRAWN	TRACED	CHECKED	APPROVED	DATE
S.L.				6/8/98
<b>DRAWING No.</b>			<b>2846</b>	



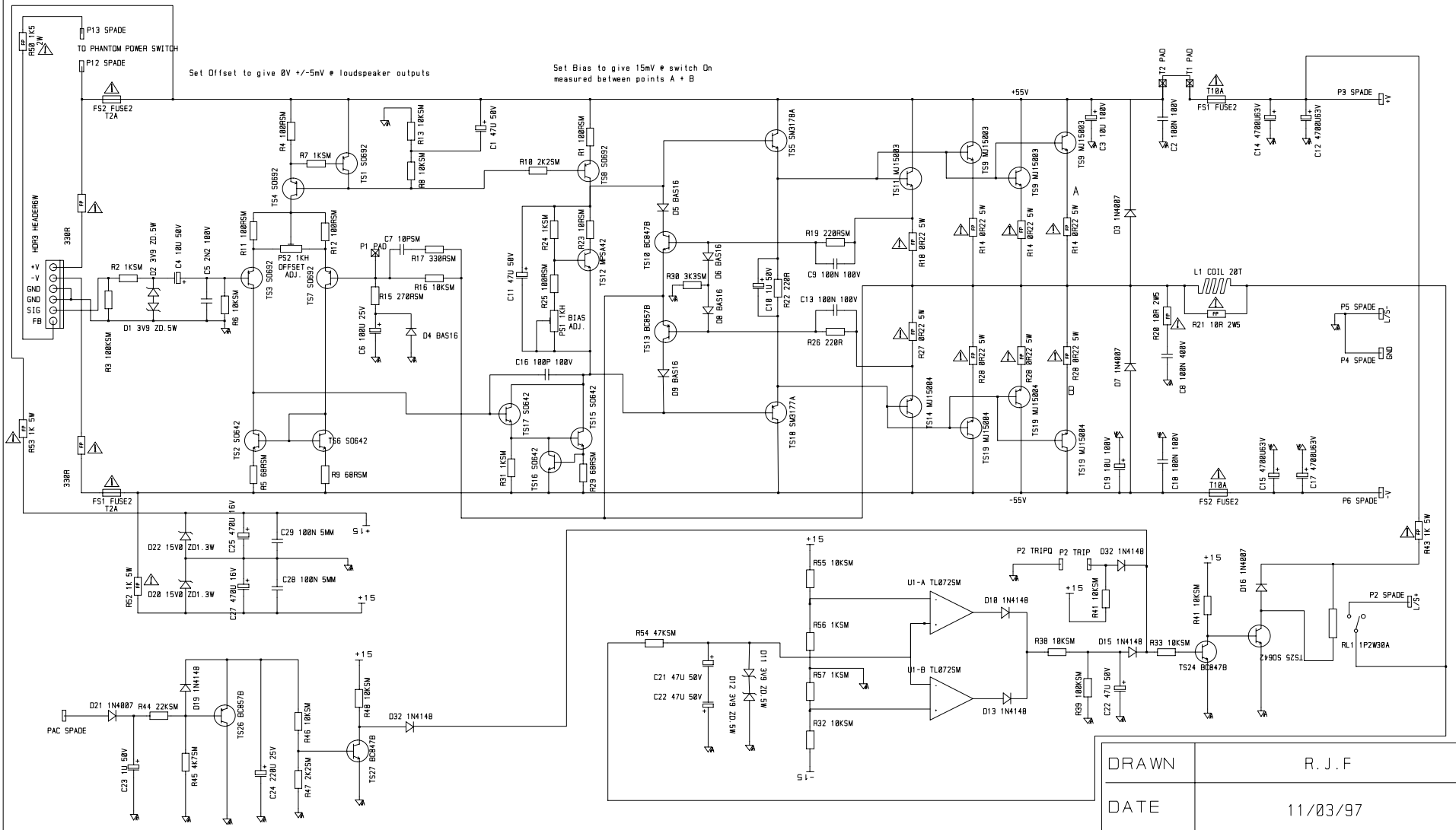
ISSUE	DESCRIPTION	APPD.	DATE
3	see Change note 250	R.J.F	28/04/99
2	R37 10K TO 2K2, R24 10K TO 100K, C34 47n TO 220n	S.L.	5/9/97

**BLT**  
 Industries Ltd.

TITLE
DB300 / 400 PREAMP (2 of 2) PART No

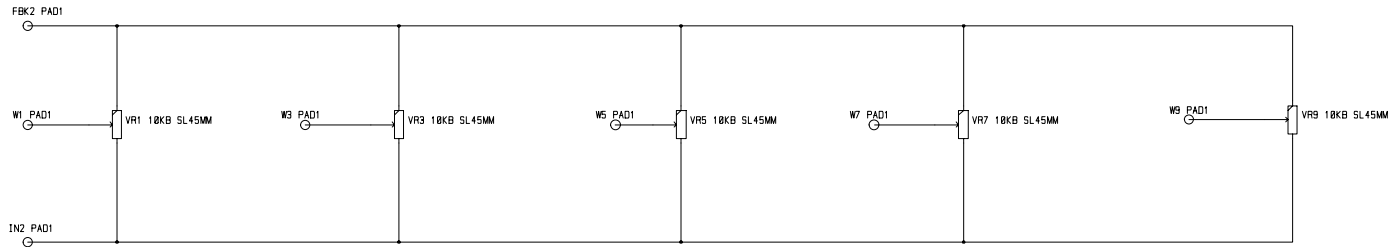
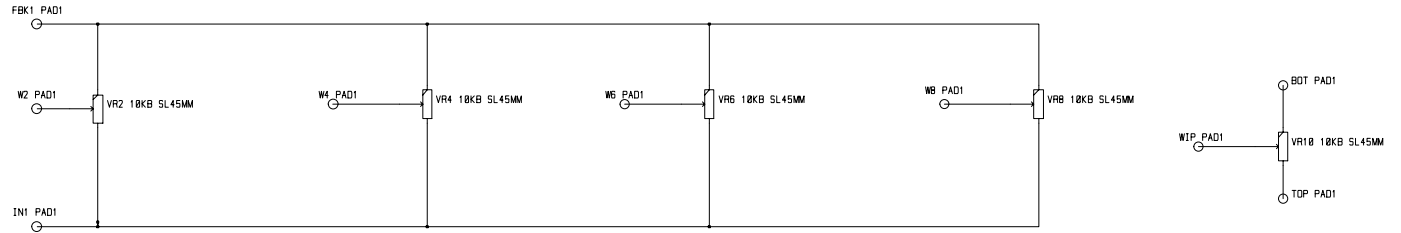
DRAWN	TRACED	CHECKED	APPROVED	DATE
S.L.				11/8/98
DRAWING No.		2847		

△ INDICATES SAFETY CRITICAL COMPONENT. MUST ONLY BE REPLACED WITH APPROVED TYPE.  
 □ FLAMEPROOF RESISTOR. MUST ONLY BE REPLACED WITH SAME TYPE AND RATING.



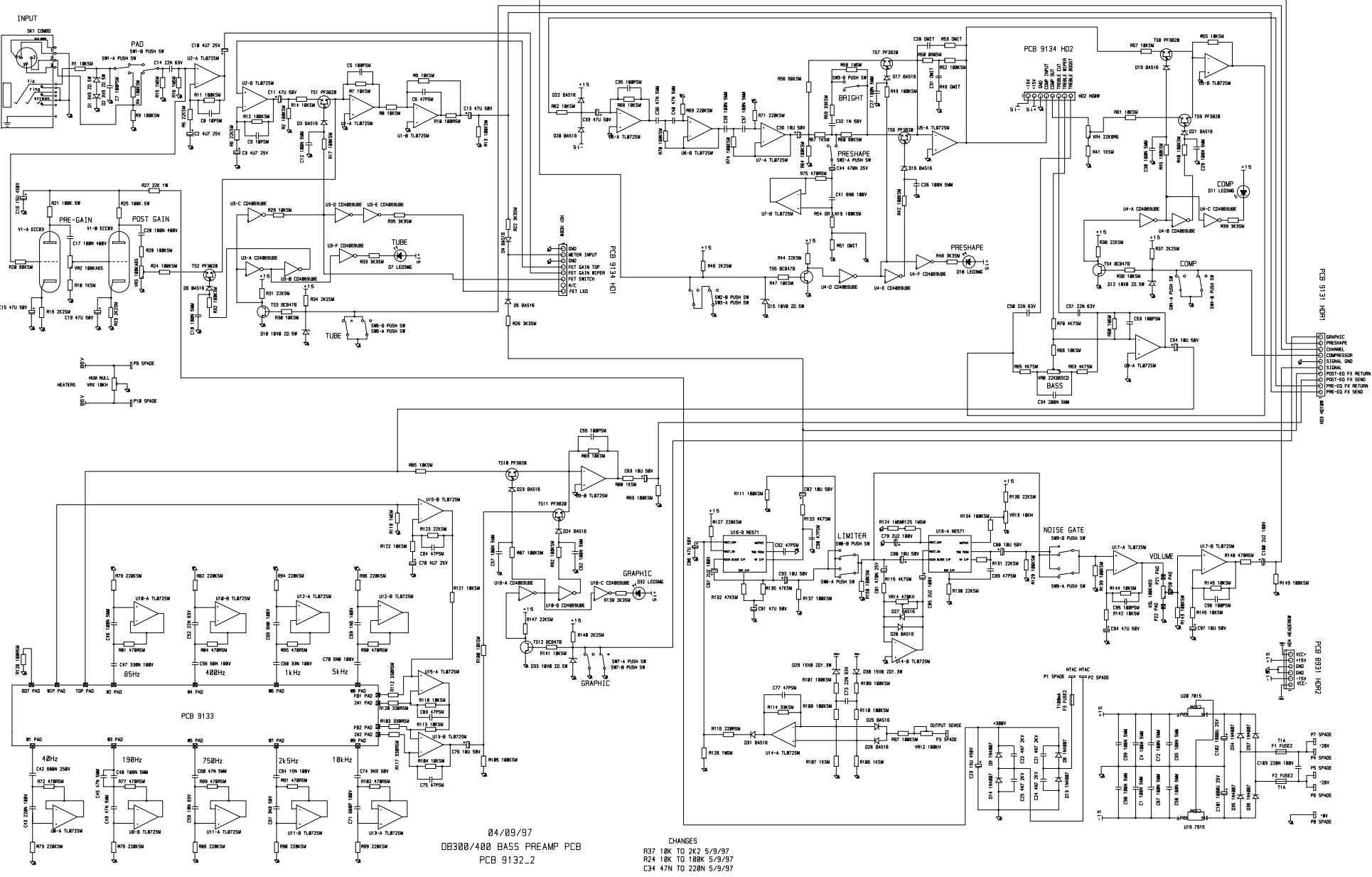
DRAWN	R. J. F
DATE	11/03/97
TITLE	400 WATT OUTPUT MODULE
DRW. NO.	9119_3

ISSUE	ISSUE THREE	1/18/98
TYPE	330R 11W FP H.T. DROPPER RESISTORS ADDED PHANTOM POWER H.T. DROPPERS ADDED	R19 from 1KSM to 220RSM R26 from 1K to 220R



DRAWN	R. J. F
DATE	26/06/97
TITLE	DB SLIDER BOARD
DRW. NO.	PCB 9133

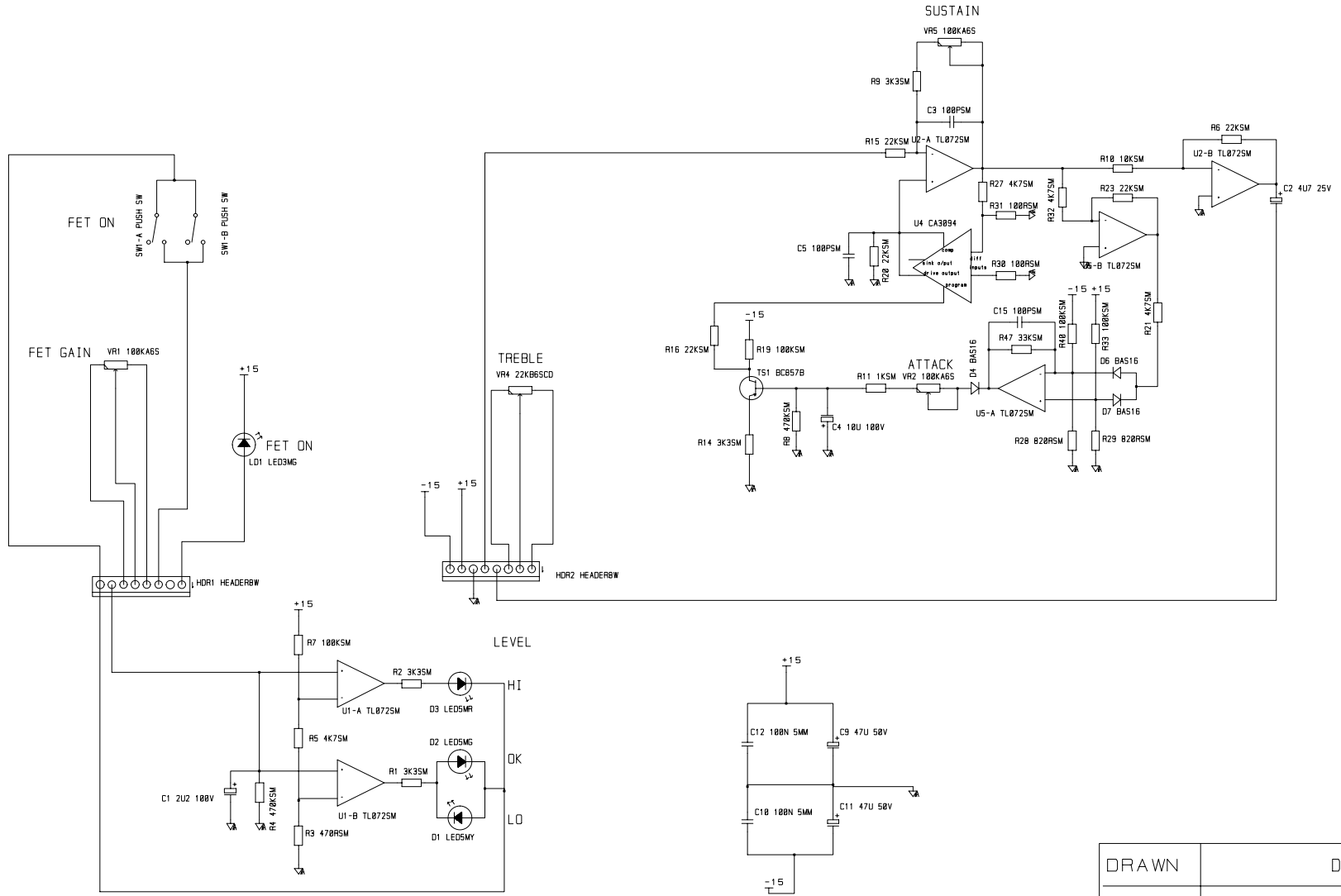
ISSUE						
TYPE						



04/09/97  
 DB300/400 BASS PREAMP PCB  
 PCB 9132.2

CHANGES  
 R37 18K TO 2K2 5/9/97  
 R24 18K TO 100K 5/9/97  
 C34 47N TO 220N 5/9/97

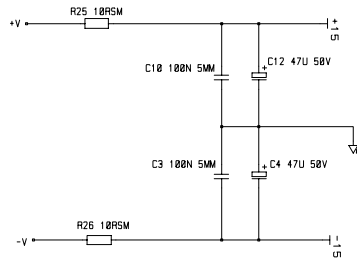
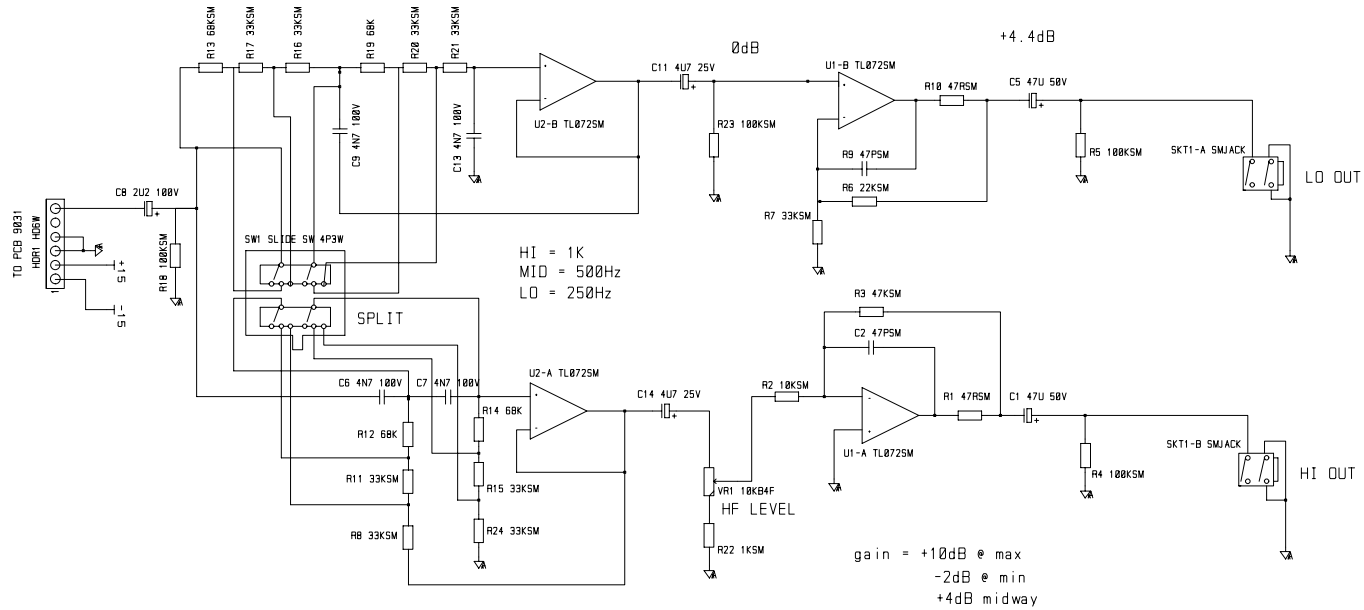
Change Note 250  
 Various changes to Preshapes . Treble ,flat eq and gain



DRAWN	DEH
DATE	04/09/97
TITLE	DB COMPRESSOR CIRCUIT
DRW. NO.	9134_3

ISSUE	28/04/99						
TYPE	R15 from 4K7 to 22K See Change Note 250						





DRAWN	DEH
DATE	18/06/97
TITLE	DB BASS CROSSOVER CIRCUIT
DRW. NO.	9130_3

ISSUE	TWO 5/08/97	THREE 16/09/97				
TYPE	ZENER SUPPLY REMOVED LF OUTPUT PHASE CORRECTED	LAYOUT				

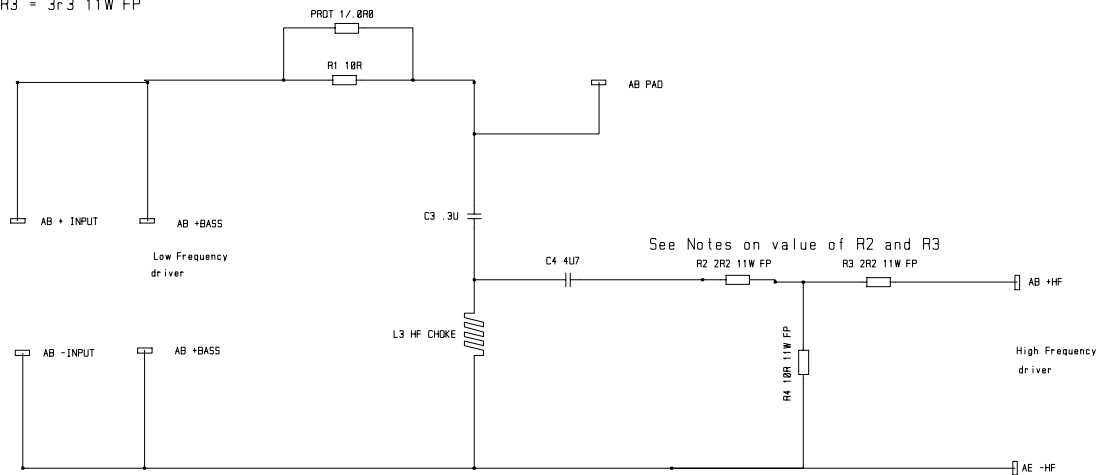
IMPORTANT - All resistors to be 10W flame proof cement type  
 IMPORTANT - All capacitors to be low loss polypropylene type

R + D Information Only

H.F. Inductor = 0.3mH

See 9137.csd for Combo/Amp wiring

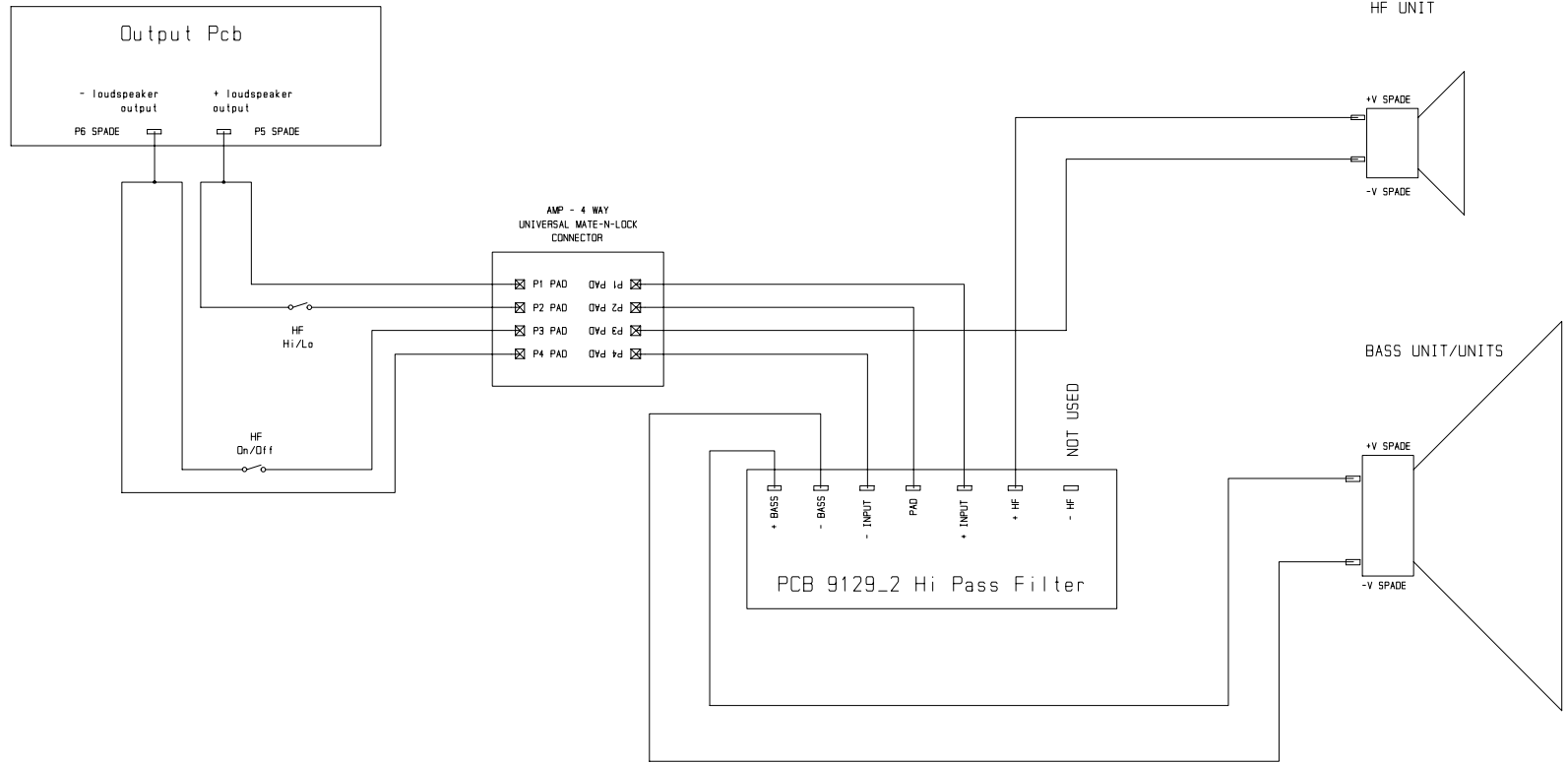
For DB amplifiers - R2 = R3 = 3r3 11W FP



DRAWN	R. J. F
DATE	26/01/00
TITLE	2 WAY X-OVER
DRW. NO.	9129

ISSUE	09/09/97	30/9/97	26/01/00		
TYPE	DB and Vector 10 Hi Pass Filter made identical (Change note 140)	Changes for CTX10 added	ISSUE 5 LAYOUT DETAIL		

REFER TO DBPORT.DOC FOR DRIVE UNIT / PORT INFORMATION



DRAWN	R. J. F
DATE	29/08/97
TITLE	DB COMBO - AMP/CABINET INTERCONNECTION WIRING
DRW. NO.	9137

ISSUE					
TYPE					