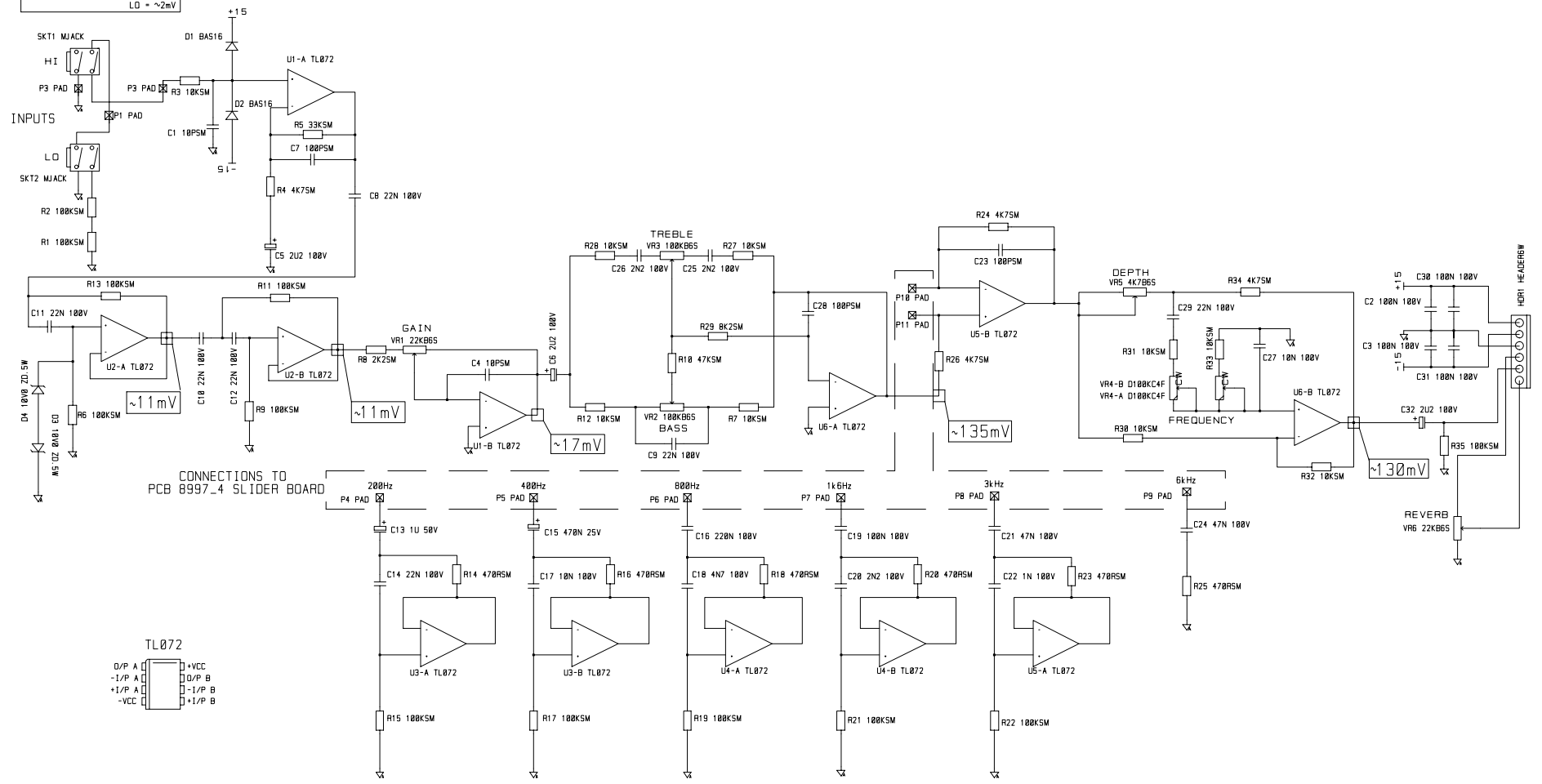


Laney

Service Diagrams

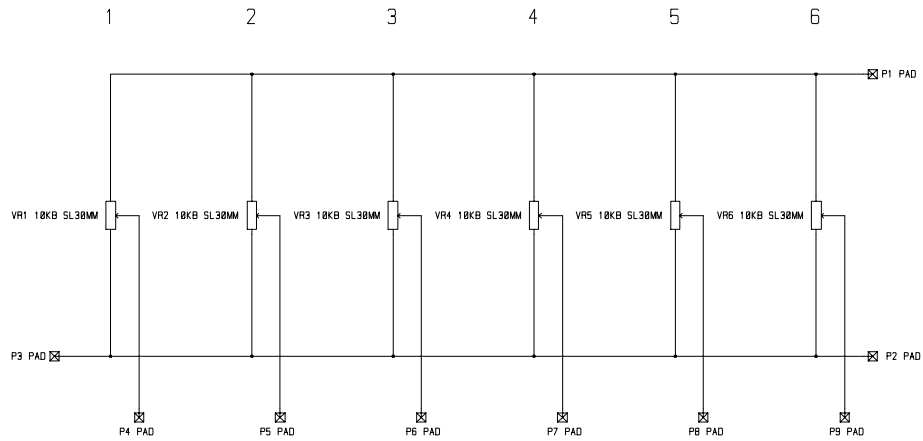
Input sensitivity HI = ~4mV
LO = ~2mV



Input sensitivity = GAIN, BASS & TREBLE UP AT MAXIMUM
GRAPHIC EQ. SET FLAT AND DEPTH & FREQUENCY SET FULLY ANTI-CLOCKWISE

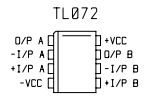
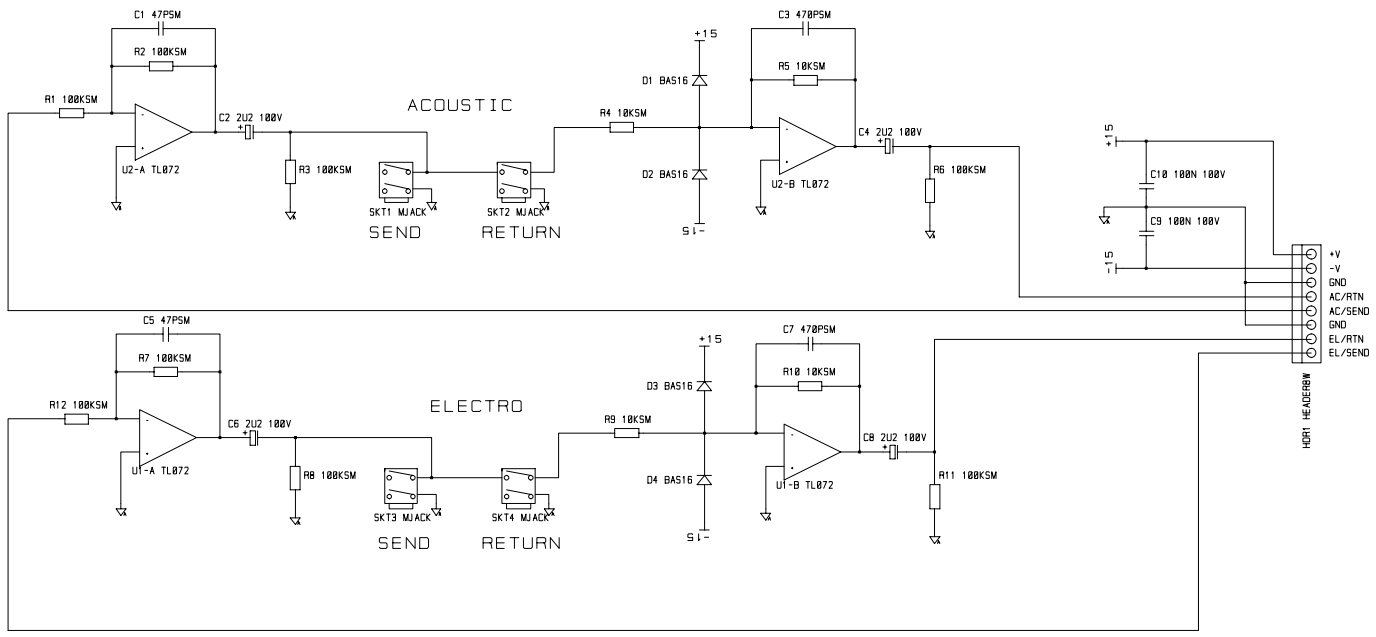
DRAWN	DEH
DATE	25/04/94
TITLE	ELECTRO ACOUSTIC PREAMP
DRW. NO.	9067_2

ISSUE							
TYPE							



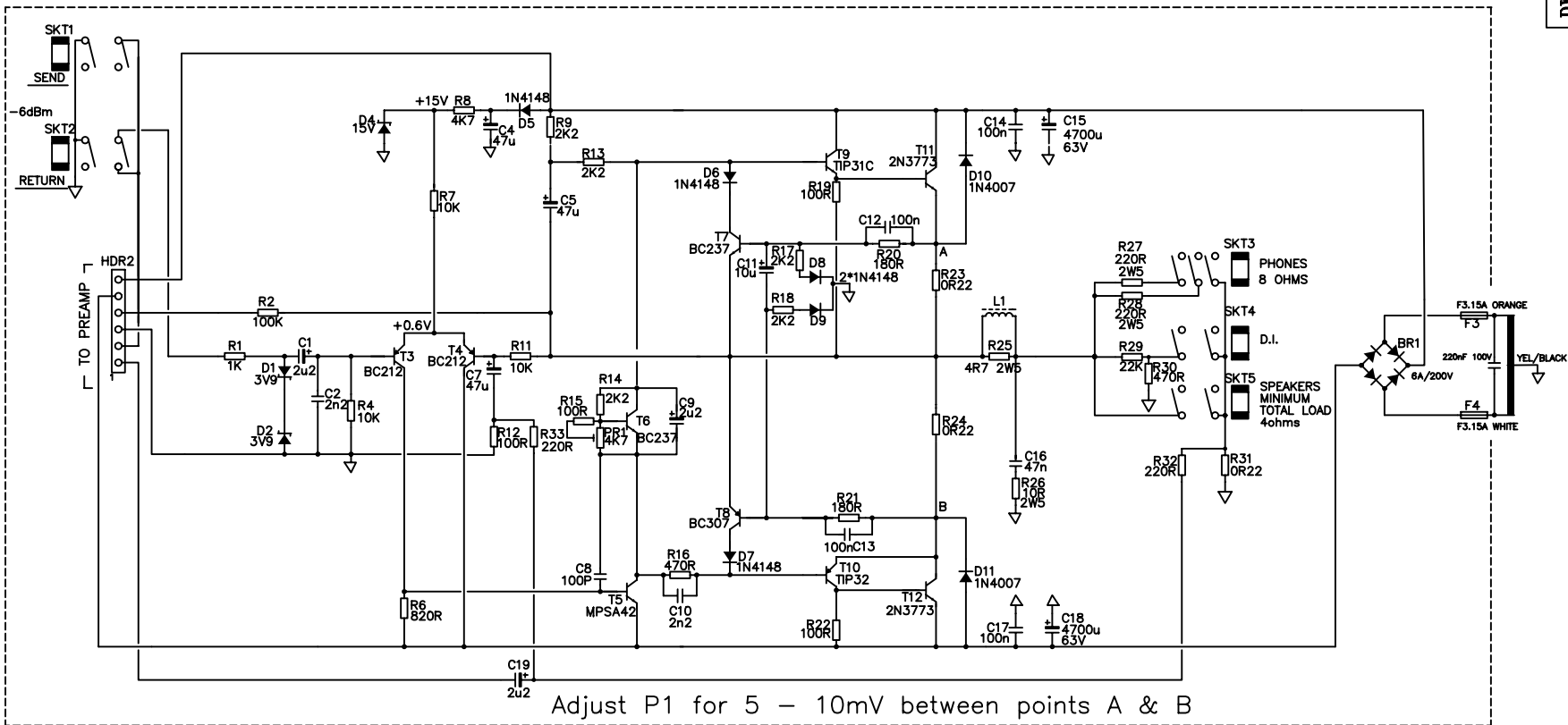
DRAWN	DEH
DATE	09/11/94
TITLE	GFX SLIDER BOARD
DRW. NO.	8997_4

ISSUE					
TYPE					



DRAWN	DEH
DATE	18/04/94
TITLE	EA120/B FX MODULE
DRW. NO.	9068

ISSUE							
TYPE							



ISSUE	DESCRIPTION	APPD.	DATE
	220nF Added across TX Secondary This should be soldered directed to the underside of the pcb		11/02/99

BLT
Industries Ltd.

TITLE
80 - 120 WATT OUTPUT
BOARD NO. 8991
PART No

DRAWN	TRACED	CHECKED	APPROVED	DATE
S.L.				30/08/94
DRAWING No.		2315		