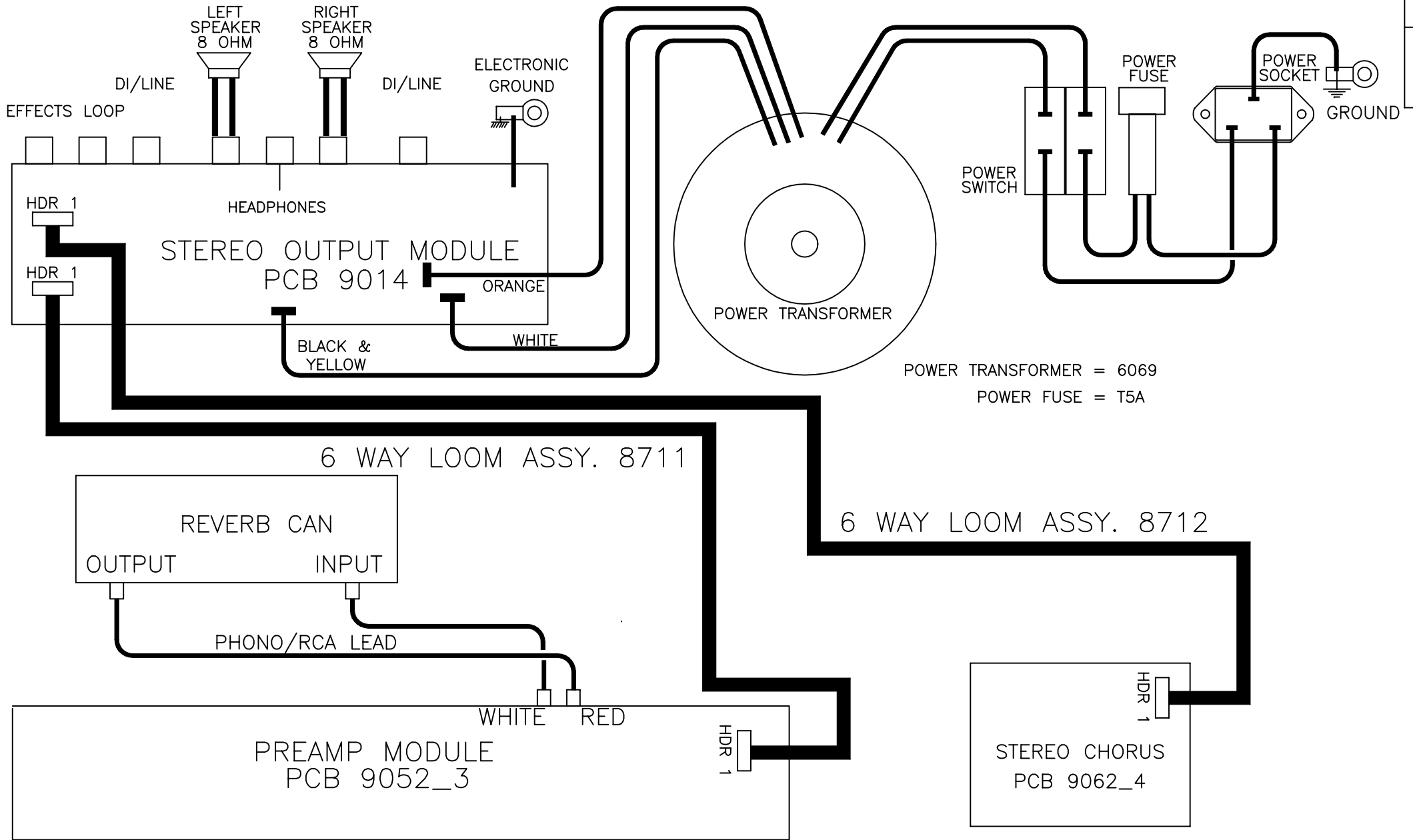


# **Laney**

## **GC120C Service Information**

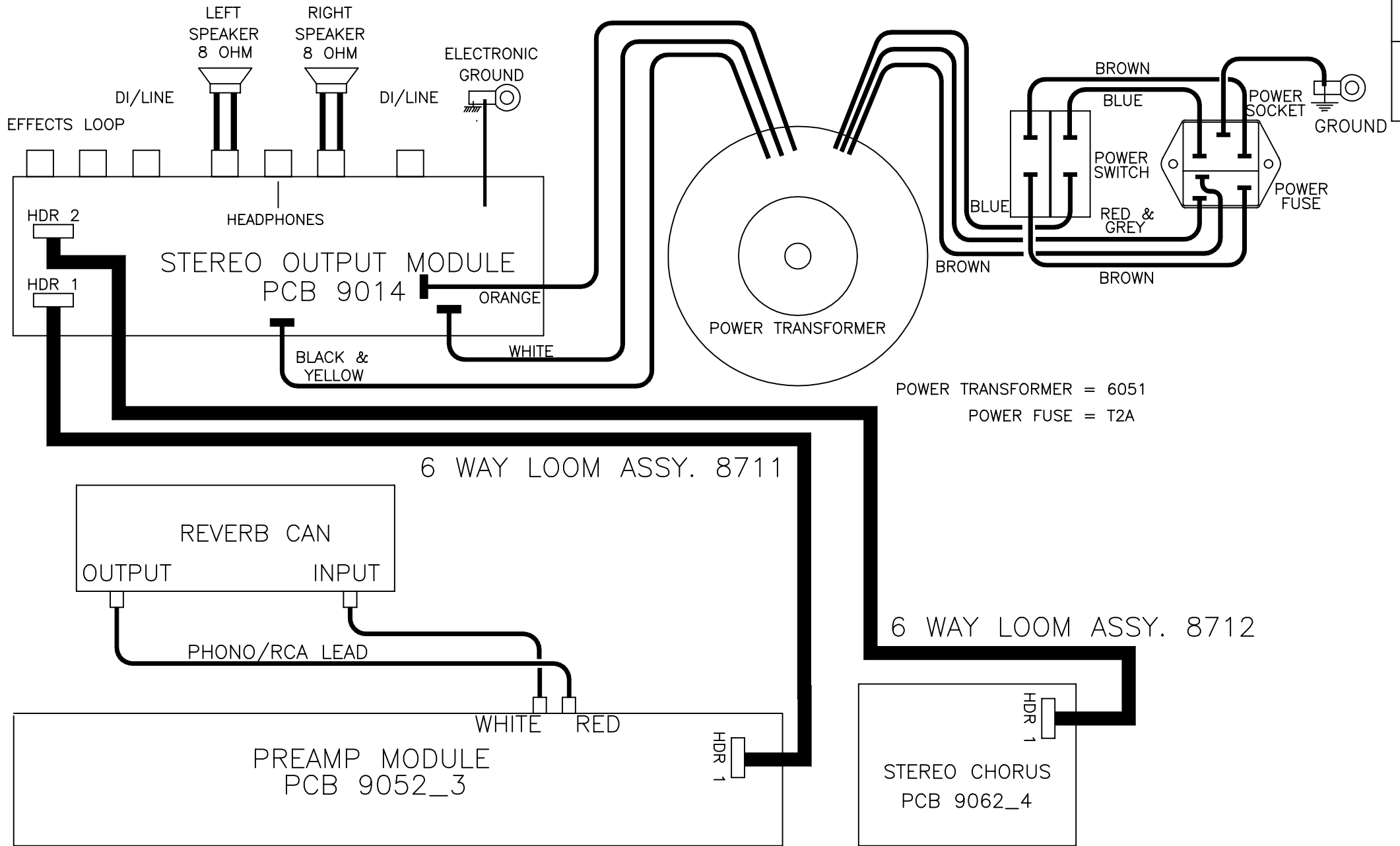


ISSUE	DESCRIPTION	APPD.	DATE

**LANEY**

**TITLE**  
GC120-C SCHEMATIC  
100\120V SPEC.  
PART No

DRAWN	TRACED	CHECKED	APPROVED	DATE
S.L.				25/08/94
DRAWING No.		2305		

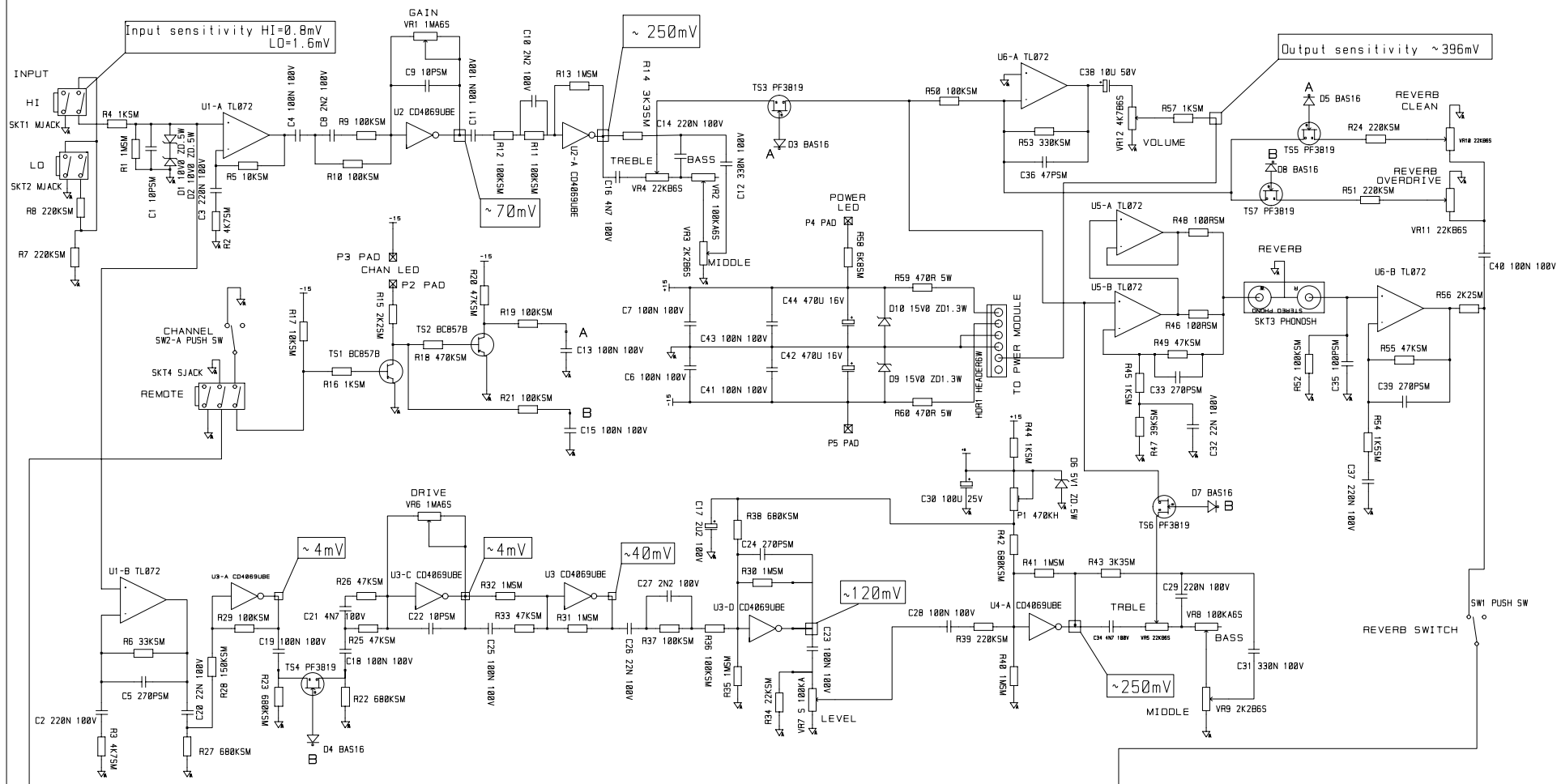


ISSUE	DESCRIPTION	APPD.	DATE

**LANEY**

TITLE
GC120-C SCHEMATIC 220\240V SPEC. PART No

DRAWN	TRACED	CHECKED	APPROVED	DATE
S.L.				25/08/94
DRAWING No.		2306		

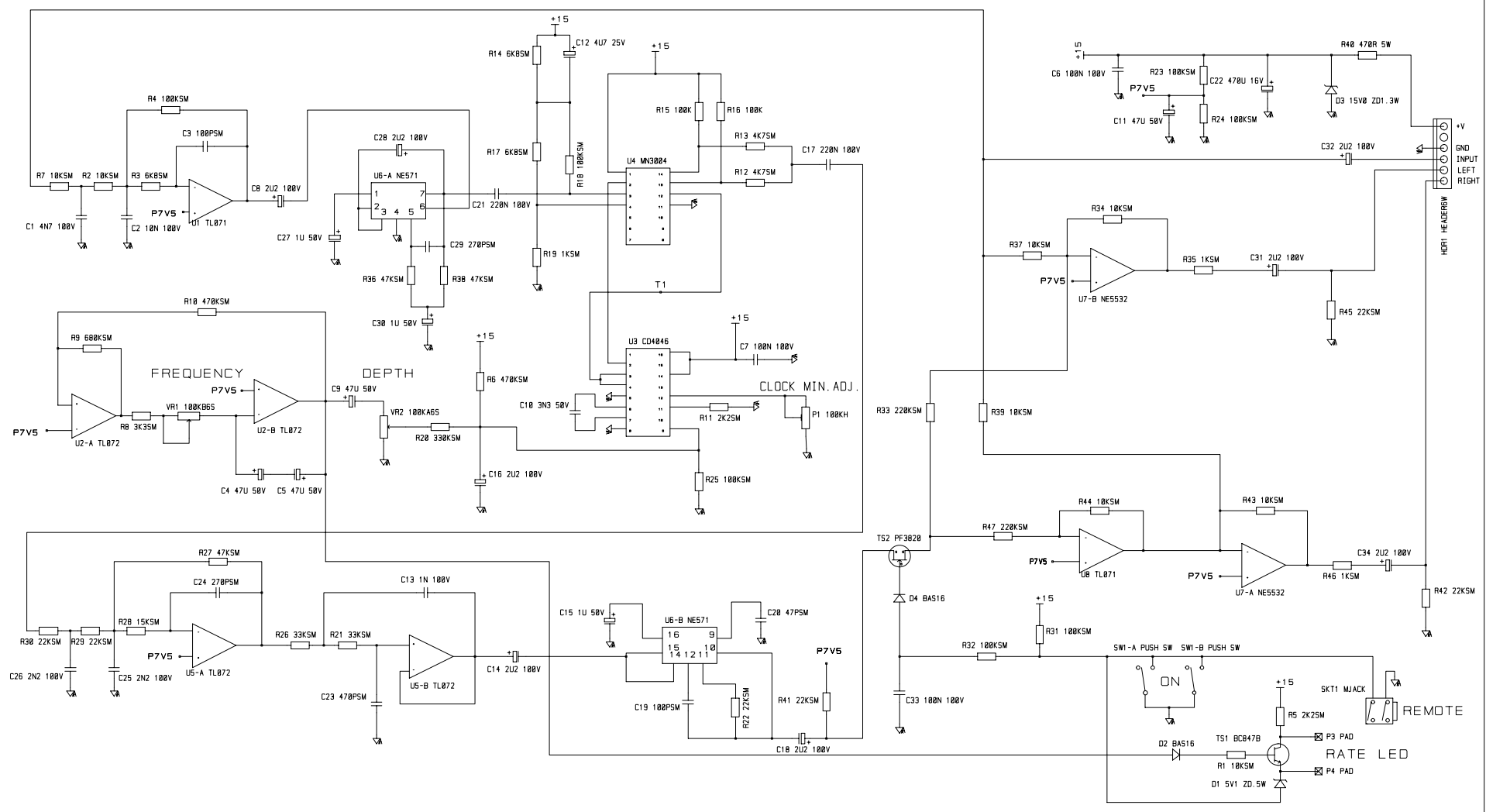


Input sensitivity = GAIN, TONE AND VOLUME CONTROLS TURNED UP TO MAXIMUM  
 Overdrive sensitivity = LEVEL CONTROL UP FULL AND DRIVE TURNED UP TILL CLIPS (APPROX 2)

DRAWN	DEH
DATE	15/03/94
TITLE	LGC80/120 PREAMP
DRW. NO.	9052_3

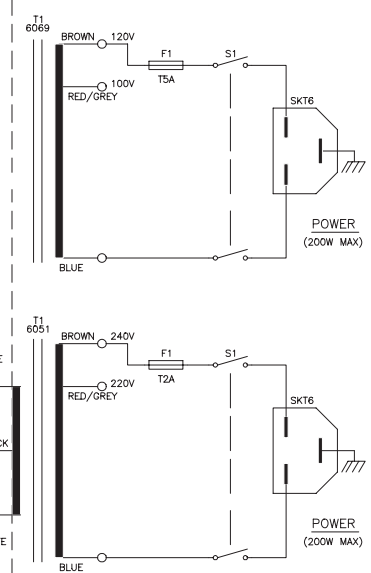
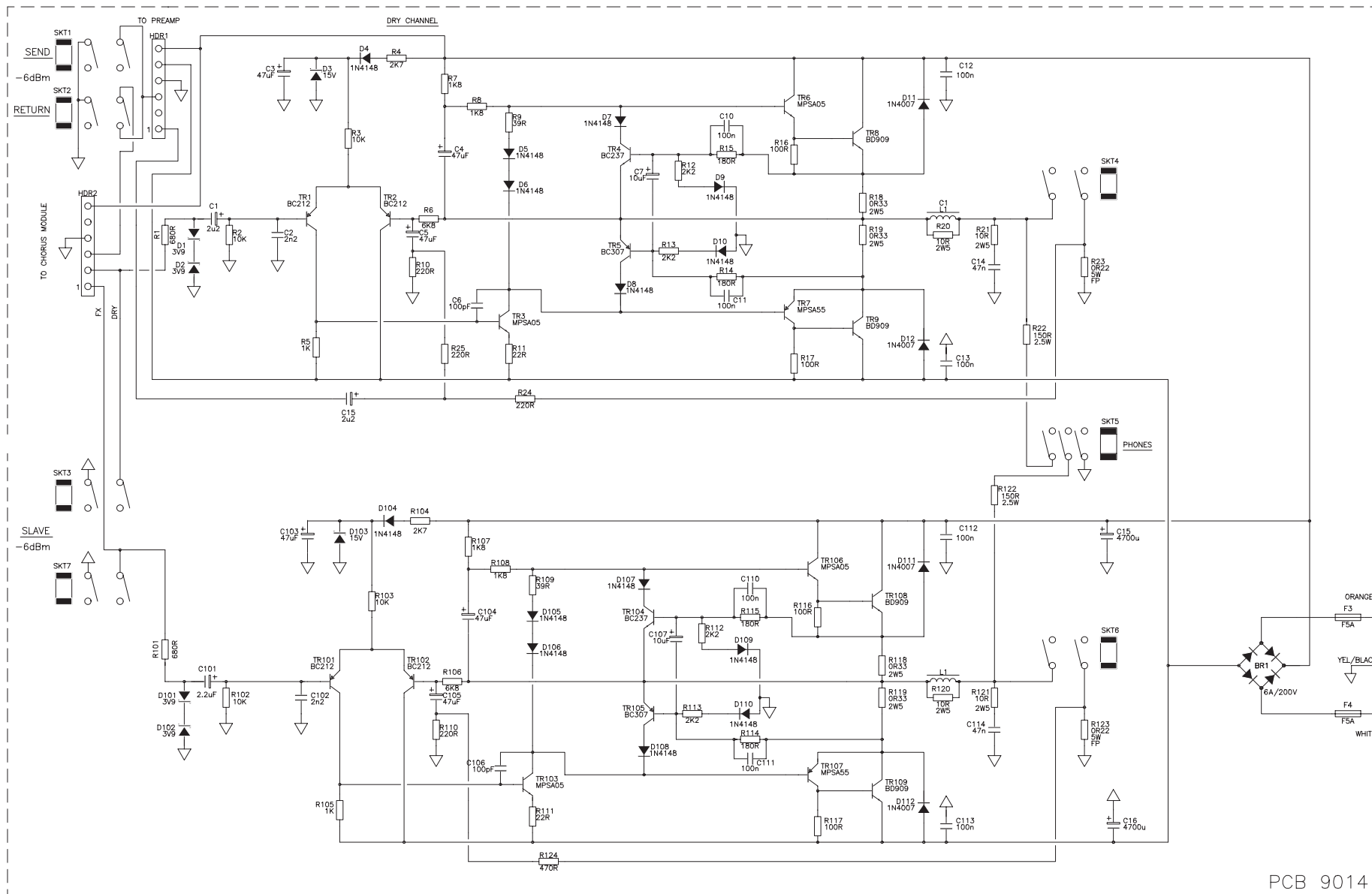
CHANGE R5 FROM 33K TO 10K  
 SEE MOD. SHEET 0002  
 04/10/94

ISSUE	
TYPE	



DRAWN	DEH
DATE	01/06/94
TITLE	CHORUS MODULE
DRW. NO.	9062_3

ISSUE	
TYPE	



PCB 9014

ISSUE	DESCRIPTION	APPD.	DATE

**LANEY**

**TITLE**  
 120 WATT STEREO  
 BOARD No.9014  
 PART No

DRAWN	TRACED	CHECKED	APPROVED	DATE
D.E.H				19/03/92
DRAWING No.		2320		