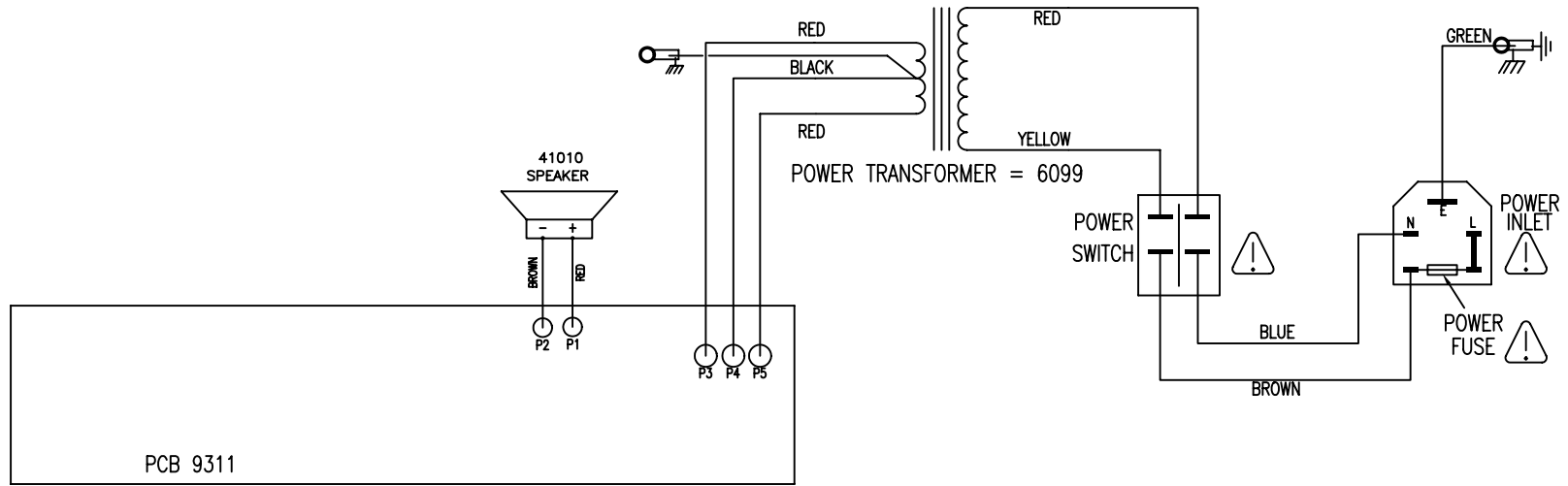
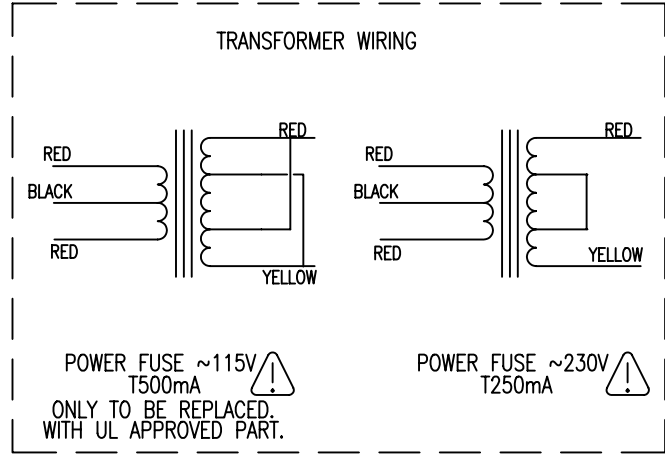


# Laney

**Service Diagrams**



PCB 9311



⚠ INDICATES SAFETY CRITICAL COMPONENT.  
MUST ONLY BE REPLACED WITH APPROVED TYPE.

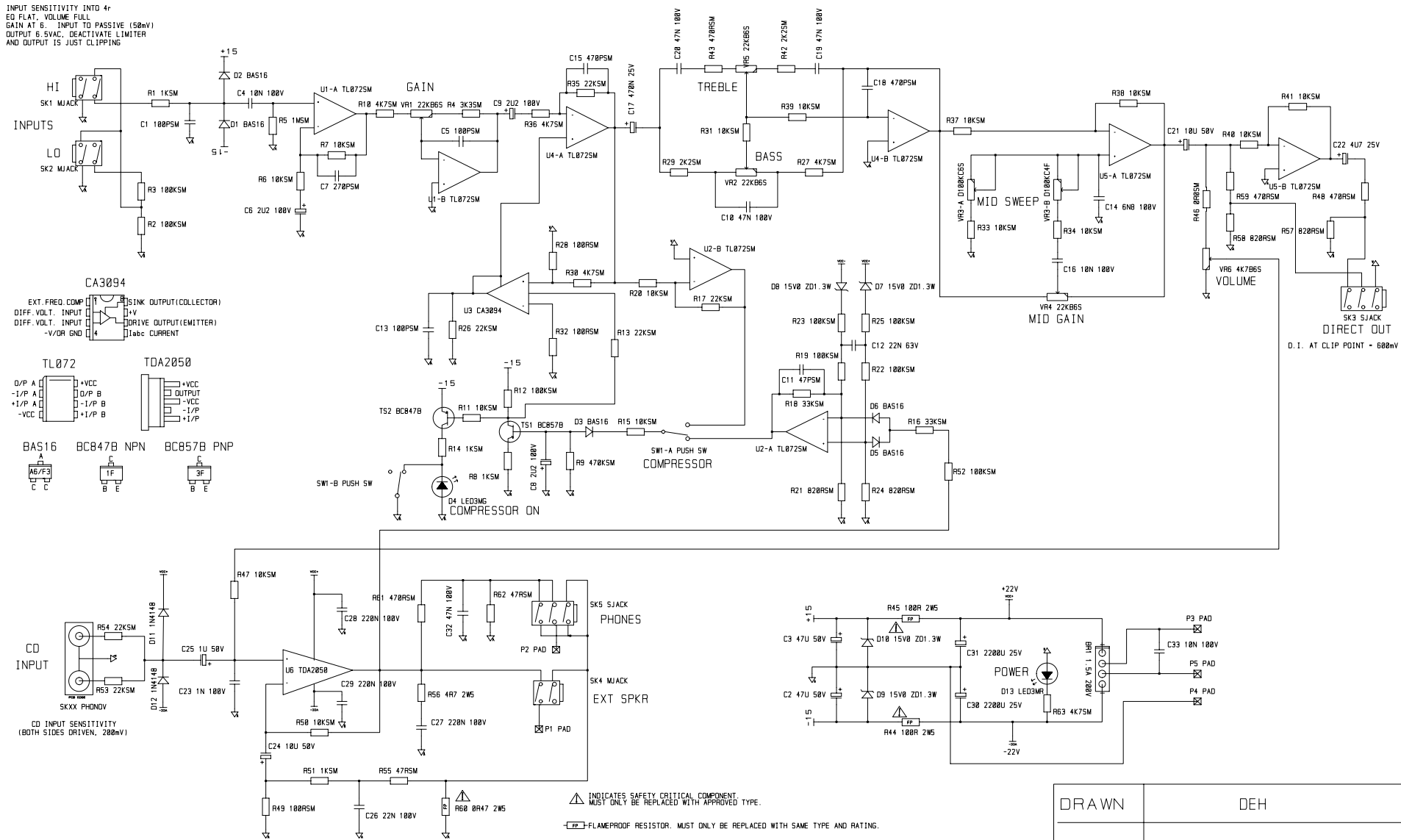
ISSUE	DESCRIPTION	APPD.	DATE

**BLT**  
Industries Ltd.

**TITLE**  
HCM30B  
SERVICE DIAGRAM  
PART No

DRAWN	TRACED	CHECKED	APPROVED	DATE
R.J.F.				12/01/98
DRAWING No.		2898		

INPUT SENSITIVITY INTO 4-  
EQ FLAT, VOLUME FULL  
GAIN AT 5 - INPUT TO PASSIVE (50mV)  
OUTPUT 6.5VAC, DEACTIVATE LIMITER  
AND OUTPUT IS JUST CLIPPING



DRAWN	DEH
DATE	10/3/99
TITLE	HCM30B
DRW. NO.	9311_2

ISSUE	ISSUE 2						
TYPE	R46 FROM 3K3 > 0R05M REFER TO CHANGE NOTE 273						