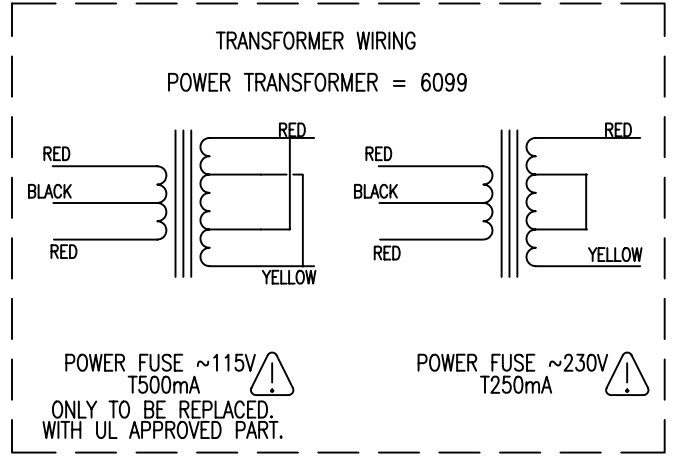
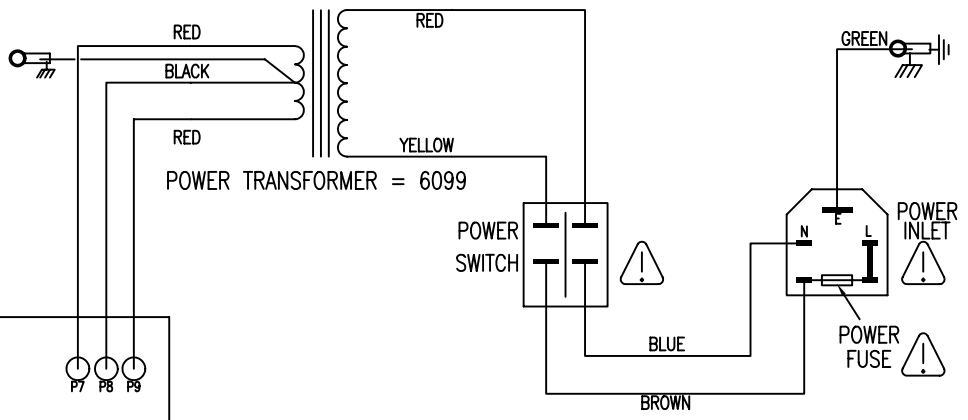
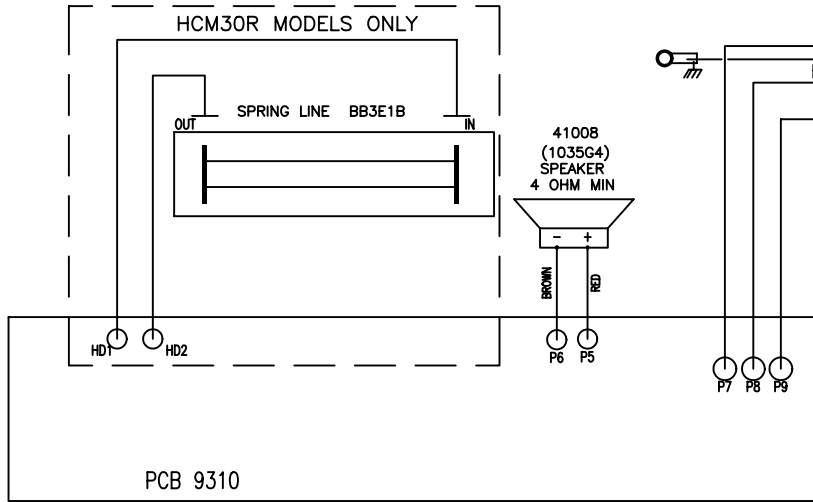


# Laney

**Service Diagrams**



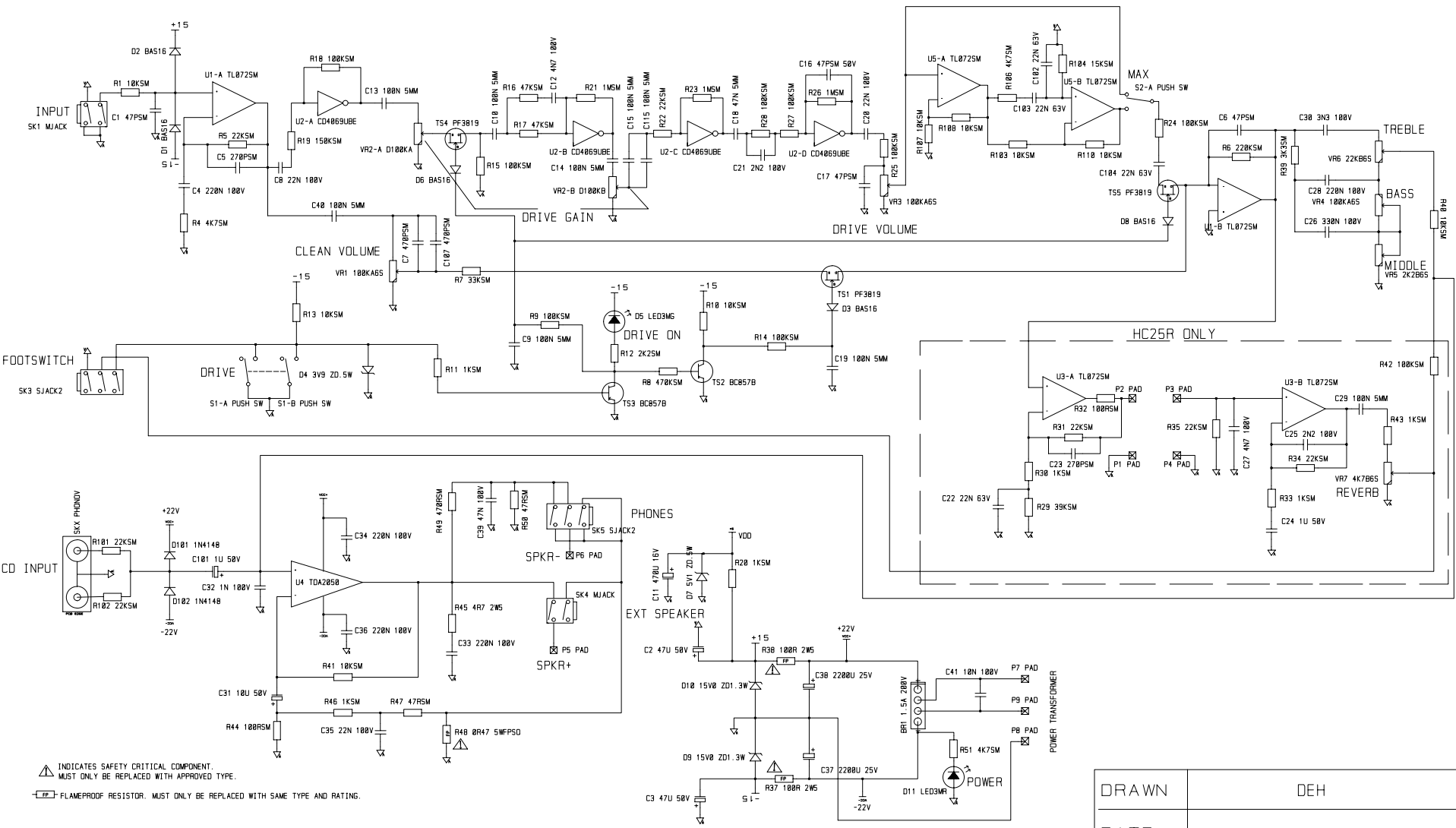
⚠ INDICATES SAFETY CRITICAL COMPONENT.  
MUST ONLY BE REPLACED WITH APPROVED TYPE.

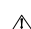

ISSUE	DESCRIPTION	APPD.	DATE

**BLT**  
Industries Ltd.

**TITLE**  
HCM30 / HCM30R  
SERVICE DIAGRAM  
PART No

DRAWN	TRACED	CHECKED	APPROVED	DATE
R.J.F				10/03/99
DRAWING No.		2897		

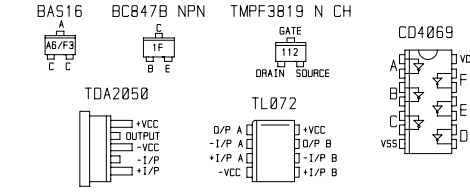
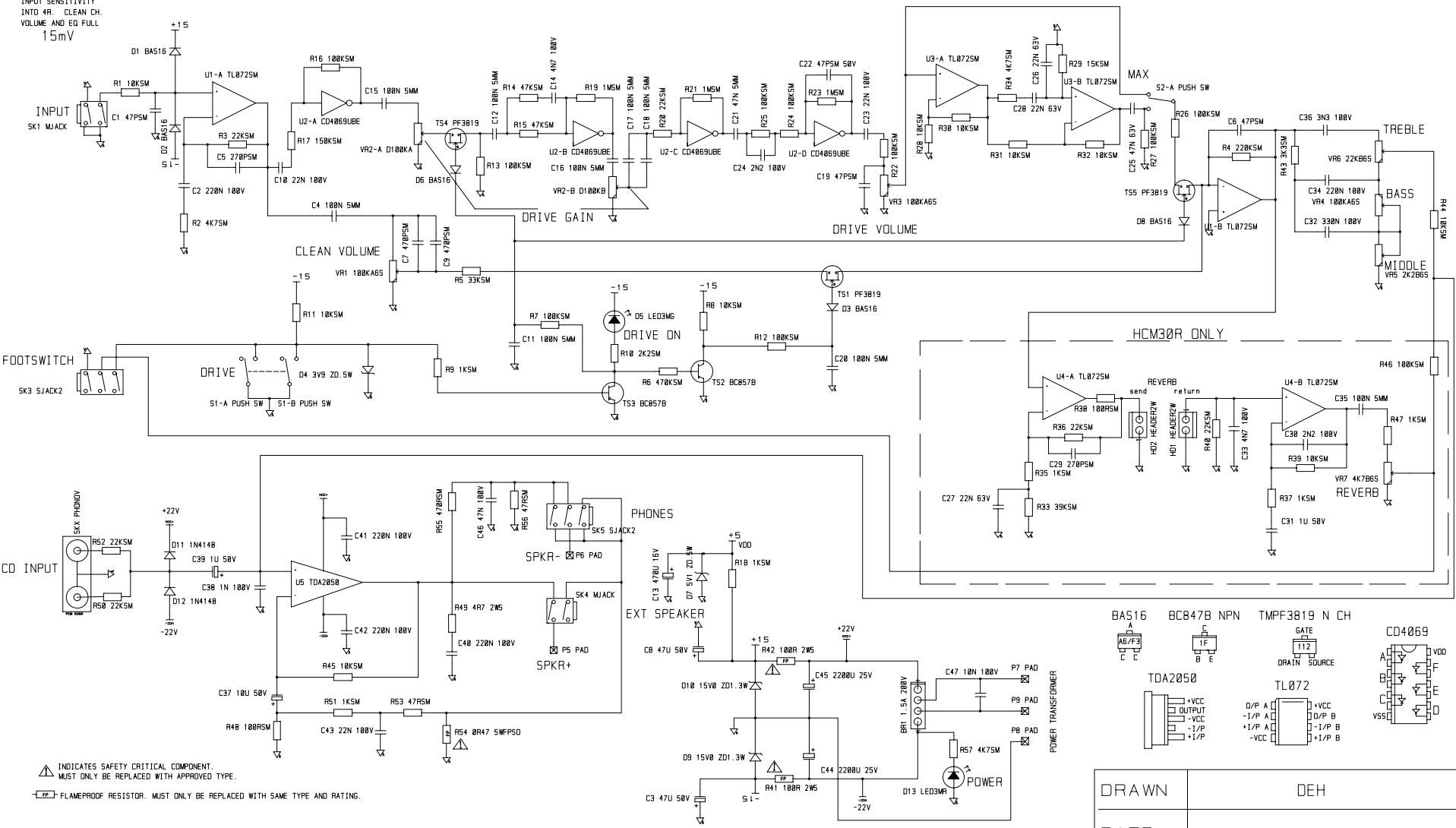


 INDICATES SAFETY CRITICAL COMPONENT. MUST ONLY BE REPLACED WITH APPROVED TYPE.  
 FLAMEPROOF RESISTOR. MUST ONLY BE REPLACED WITH SAME TYPE AND RATING.

DRAWN	DEH
DATE	10/11/98
TITLE	HCM30 & HCM30R
DRW. NO.	9310

ISSUE	2 10/10/98
TYPE	

INPUT SENSITIVITY  
INTD 4R CLEAN CH.  
VOLUME AND EQ FULL  
15mV



INDICATES SAFETY CRITICAL COMPONENT.  
MUST ONLY BE REPLACED WITH APPROVED TYPE.

FLAMEPROOF RESISTOR. MUST ONLY BE REPLACED WITH SAME TYPE AND RATING.

DRAWN	DEH
DATE	20/5/99
TITLE	HCM30 & HCM30R
DRW. NO.	9310

ISSUE	3 16/12/98						
TYPE	PRODUCTION 12-02-99						