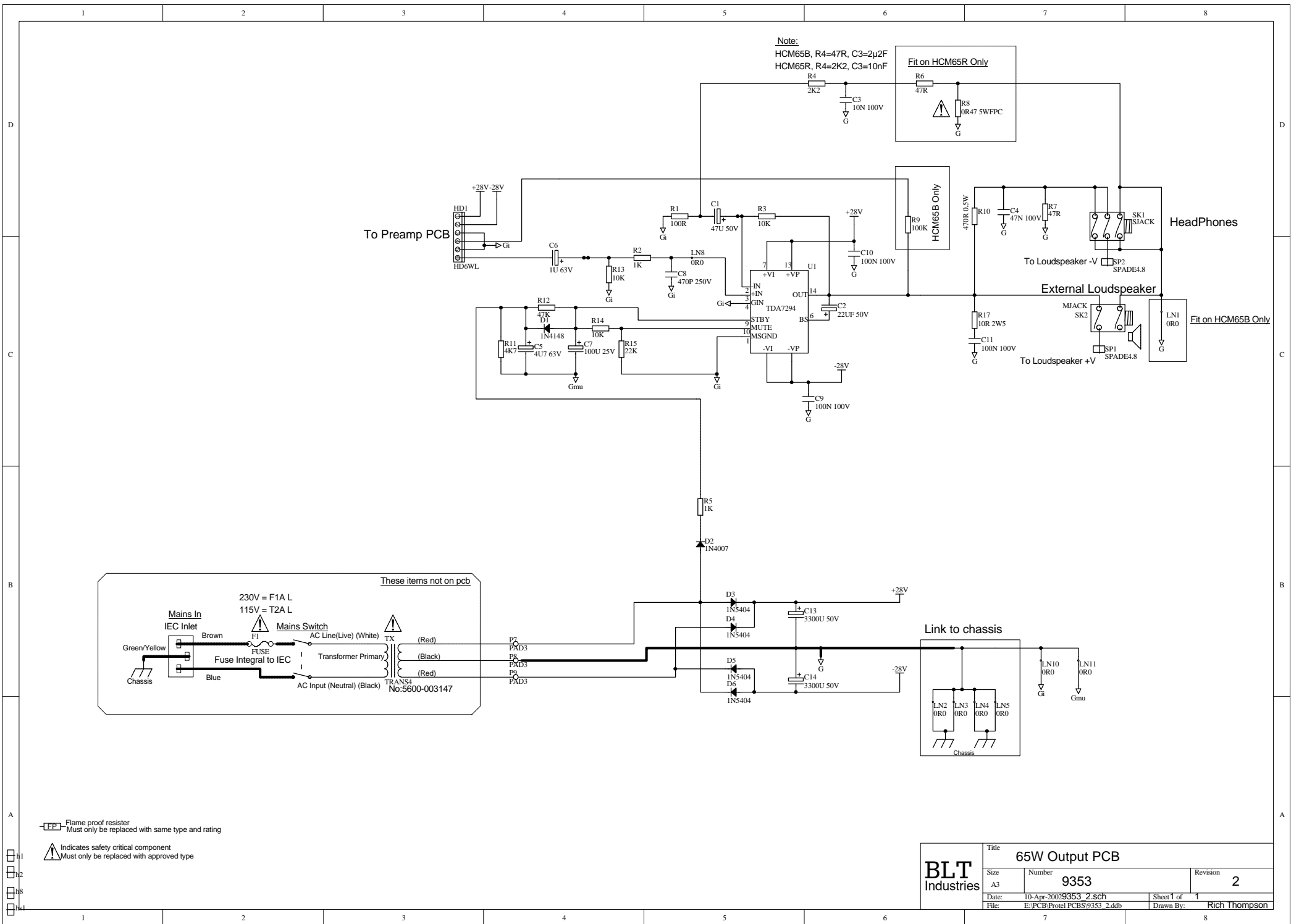


BLT Industries	Title HCM65B	
	Size A3	Number 9352
	Date: 10-Apr-2002	Revision 3
	File: E:\PCB\Protel PCB\9352_3.sch	Sheet 1 of 1
	Drawn By: Rich Thompson	



Note:
 HCM65B, R4=47R, C3=2μ2F
 HCM65R, R4=2K2, C3=10nF

Fit on HCM65R Only

HCM65B Only

HeadPhones

To Loudspeaker -V

External Loudspeaker

To Loudspeaker +V

Fit on HCM65B Only

These items not on pcb

Link to chassis

Flame proof resistor
 Must only be replaced with same type and rating

Indicates safety critical component
 Must only be replaced with approved type

BLT Industries		Title 65W Output PCB	
Size A3	Number 9353	Revision 2	
Date: 10-Apr-2002	3533_2.sch	Sheet 1 of 1	
File: E:\PCB\Protel PCBs\9353_2.dtb		Drawn By:	Rich Thompson