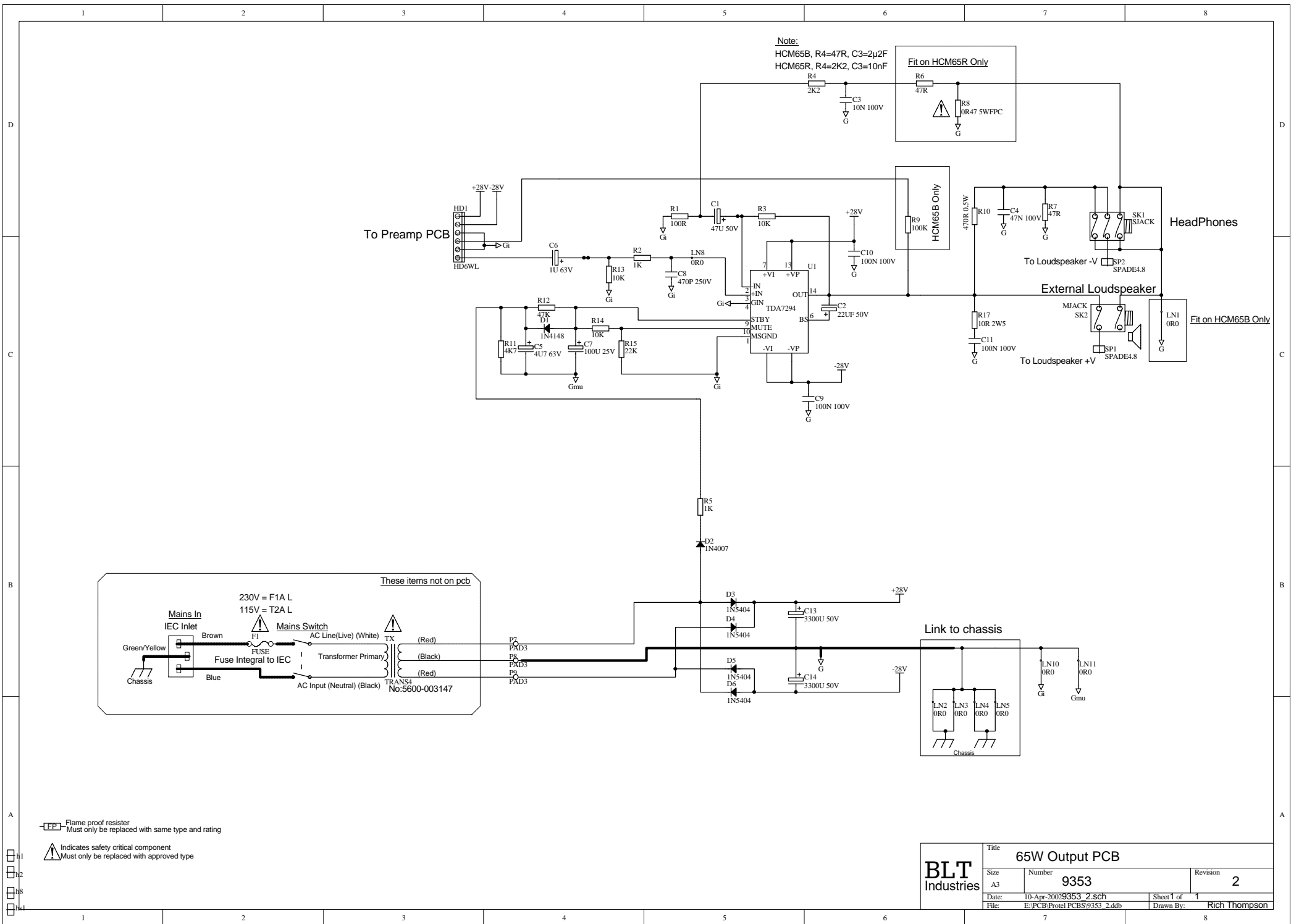


NOTE: All resistors to be 1/4W unless otherwise stated  
 NOTE: All capacitors to be rated at 16V or higher

Title <b>HCM65R Preamp</b>		
Size A3	Number <b>9351</b>	Revision <b>4</b>
Date: 10-Apr-2002	9351_4.Sch	Sheet 1 of 1
File: E:\PCB\Protel\PCBS\9351_4.Dtb	Drawn By: <b>Rich Thompson</b>	



Flame proof resistor  
 Must only be replaced with same type and rating

Indicates safety critical component  
 Must only be replaced with approved type

<b>BLT Industries</b>		Title <b>65W Output PCB</b>	
Size A3	Number <b>9353</b>	Revision <b>2</b>	
Date: 10-Apr-2002	3533_2.sch	Sheet 1 of 1	1
File: E:\PCB\Protel PCBs\9353_2.dtb	Drawn By: <b>Rich Thompson</b>		