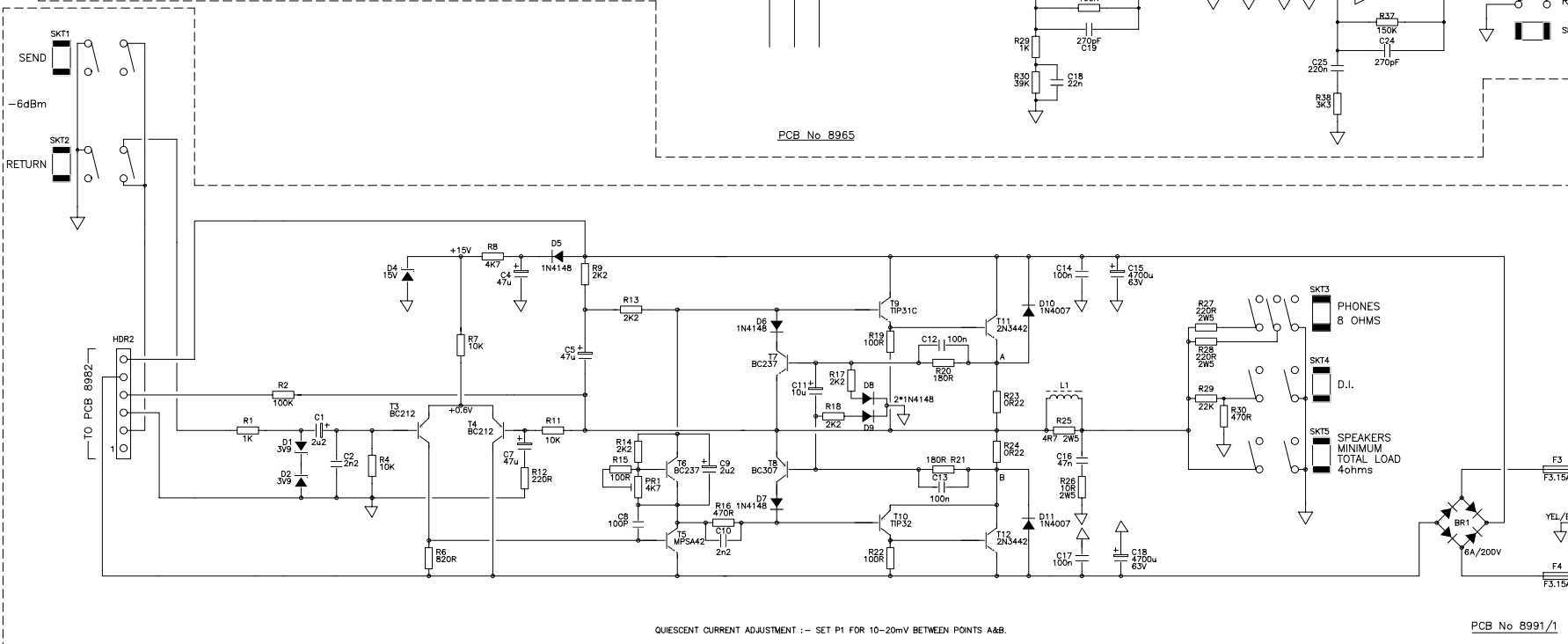


PCB No 8965



PCB No 8991/1

ISSUE	DESCRIPTION	APPD.	DATE	TITLE	DRAWN	TRACED	CHECKED	APPROVED	DATE
				KB80 CIRCUIT DIAGRAM PART No	R.J.F				31/07/92
					DRAWING No.				2074

