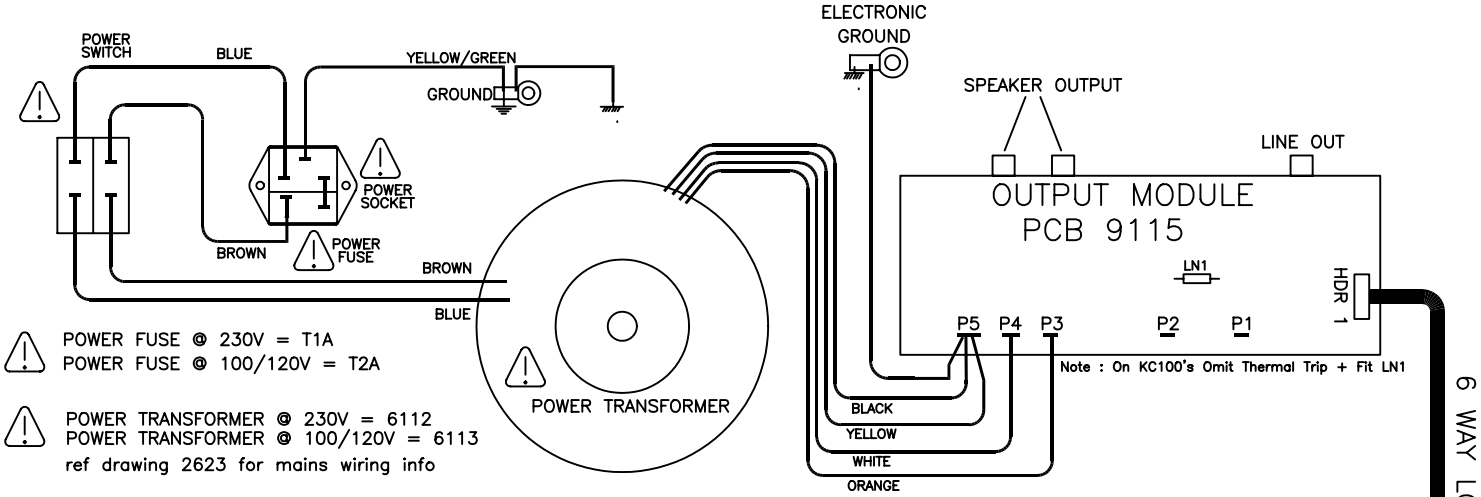


# Laney

**Service Diagrams**



- ⚠ POWER FUSE @ 230V = T1A
  - ⚠ POWER FUSE @ 100/120V = T2A
  - ⚠ POWER TRANSFORMER @ 230V = 6112
  - ⚠ POWER TRANSFORMER @ 100/120V = 6113
- ref drawing 2623 for mains wiring info

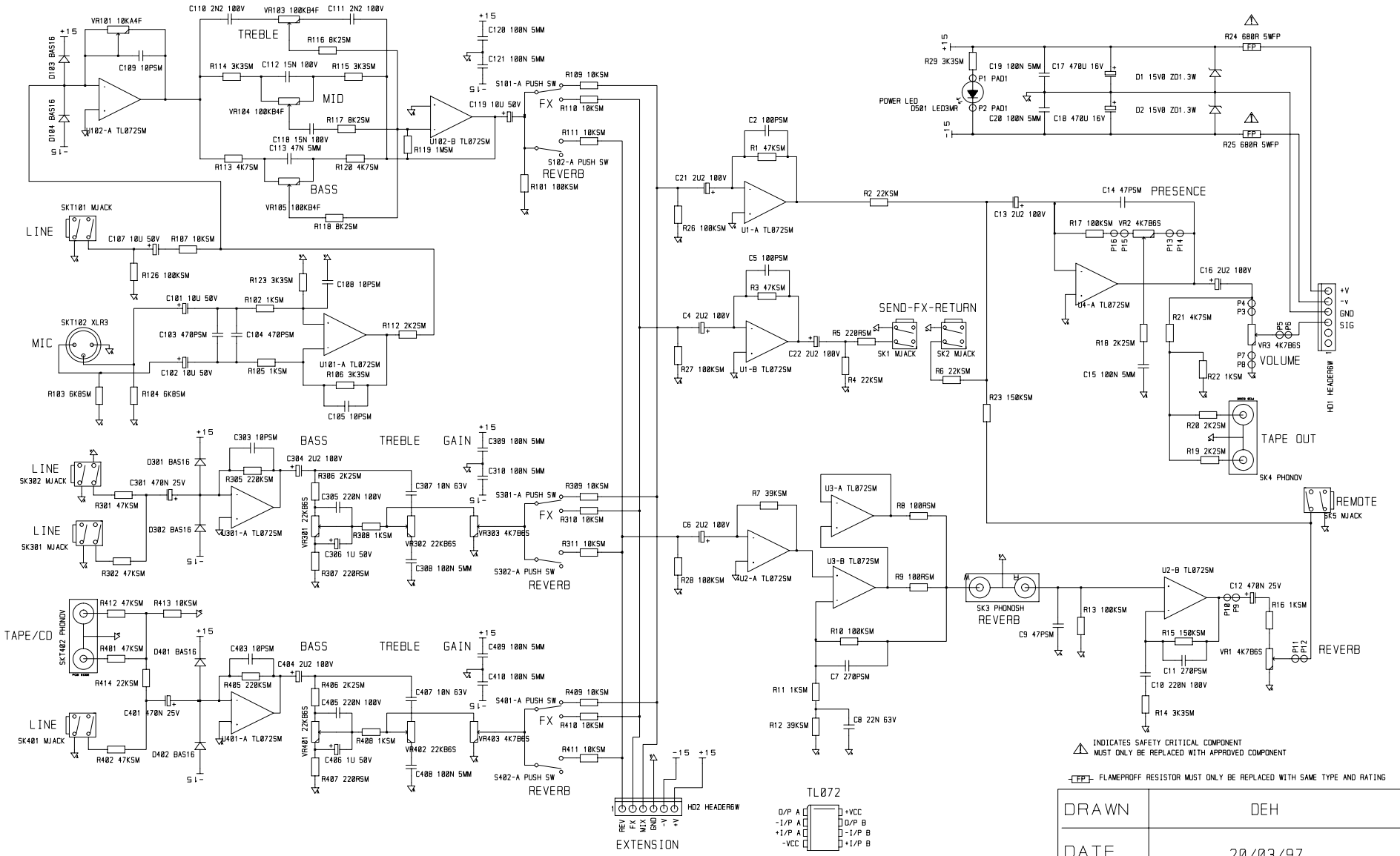
⚠ =ONLY REPLACE WITH SAME TYPE AND RATING

ISSUE	DESCRIPTION	APPD.	DATE

**BLT**  
Industries Ltd.

**TITLE**  
KC100 SERVICE  
DAIGRAM  
PART No

DRAWN	TRACED	CHECKED	APPROVED	DATE
S.L.				11/04/97
DRAWING No.		2619		

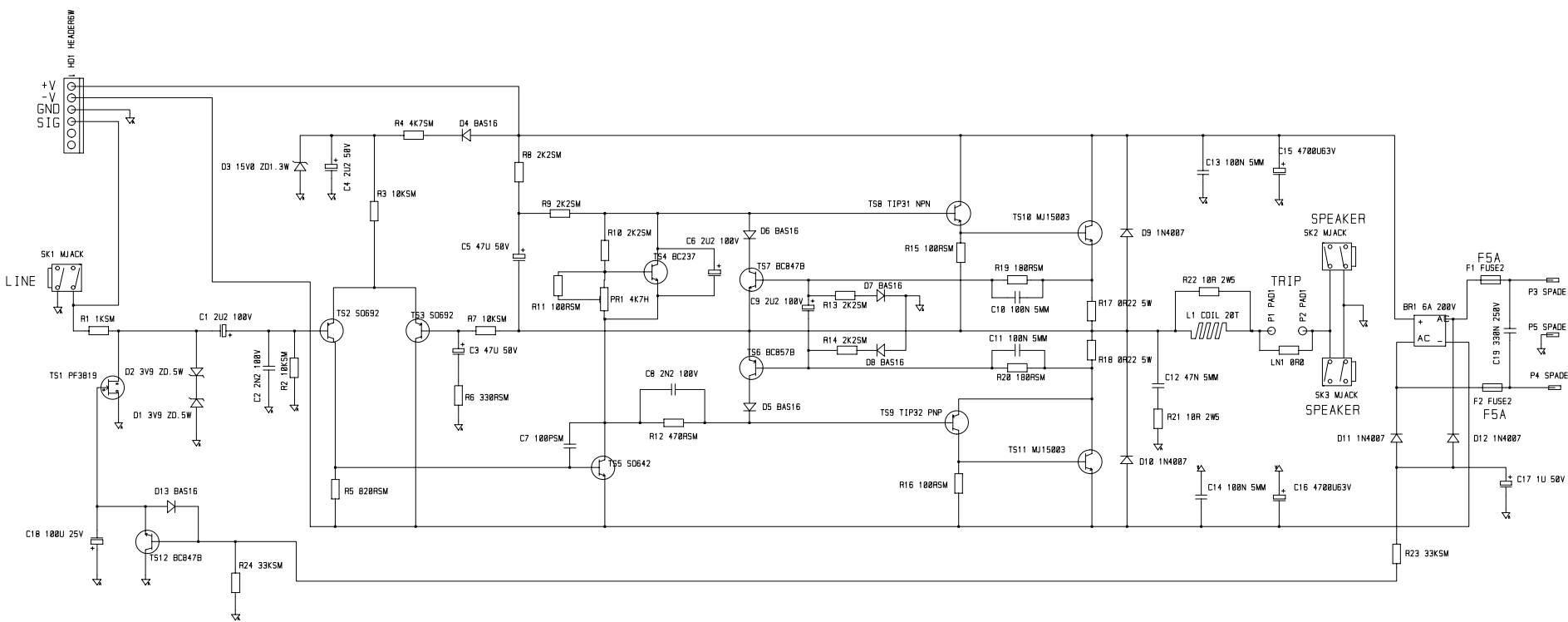


△ INDICATES SAFETY CRITICAL COMPONENT  
 MUST ONLY BE REPLACED WITH APPROVED COMPONENT  
 [FP] FLAMEPROOF RESISTOR MUST ONLY BE REPLACED WITH SAME TYPE AND RATING

DRAWN	DEH
DATE	20/03/97
TITLE	KC100/150 PREAMP

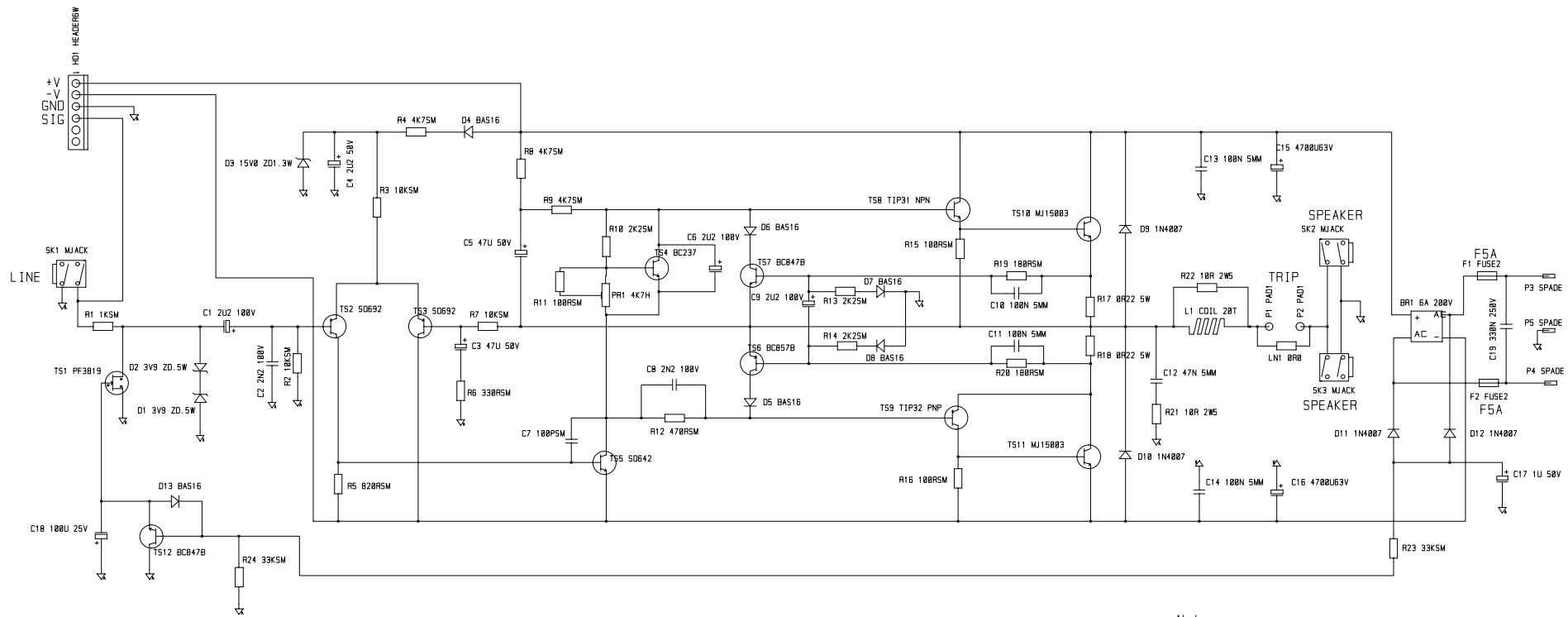
ISSUE	CHANGE NOTE 229 03/03/99
TYPE	R305 470K TO 220K R405 470K TO 220K R414 47K TO 22K

DRW. NO.	9125
----------	------



DRAWN	DEH
DATE	17/10/96
TITLE	120W / 150W OUTPUT BOARD
DRW. NO.	9115_2

ISSUE	USED IN	USED IN				
TYPE	CR120 CR150	P304M P304MR	P606S P606SR			



Notes  
 For 150W Models F1 + F2 should be F4A  
 For 100 - 120W Models F1 and F2 should be F3.15A

DRAWN	DEH
DATE	17/10/96
TITLE	120W/150W OUTPUT PCB
DRW. NO.	9115_3

ISSUE	3	3	3		
TYPE	LAYOUT CHANGE 22/01/97	R8 & R9 CHANGED FROM 2K2 TO 4K7 - 7/4/97 SEE CHANGE NOTE No. 96	F1 and F2 Changed See Change Note 197		