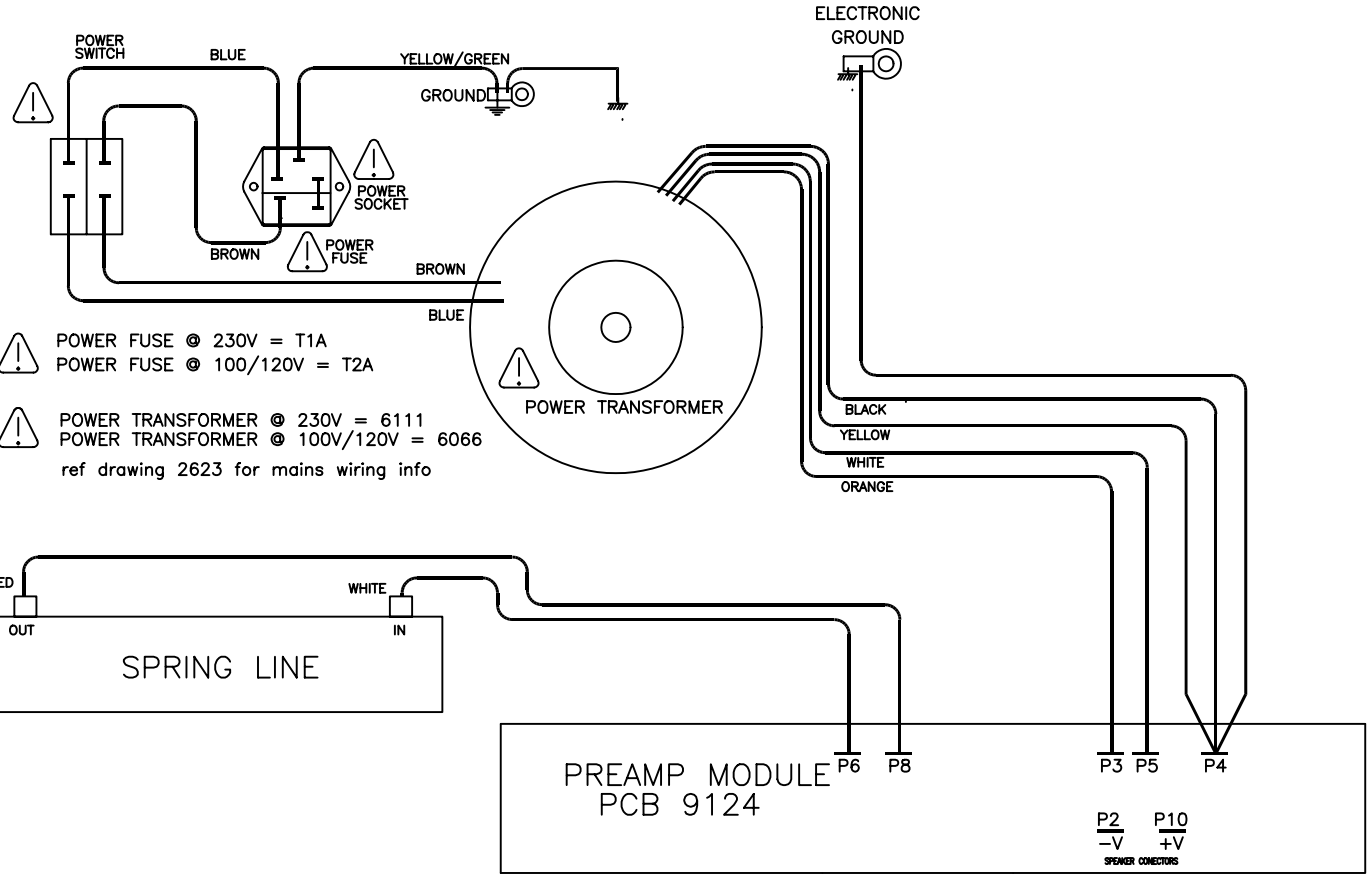


# Laney

**Service Diagrams**



- ⚠ POWER FUSE @ 230V = T1A
- ⚠ POWER FUSE @ 100/120V = T2A
- ⚠ POWER TRANSFORMER @ 230V = 6111
- ⚠ POWER TRANSFORMER @ 100V/120V = 6066
- ref drawing 2623 for mains wiring info

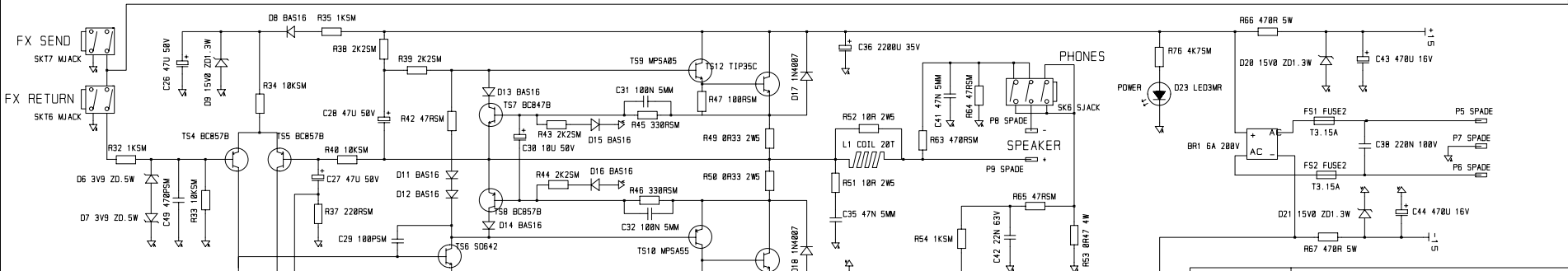
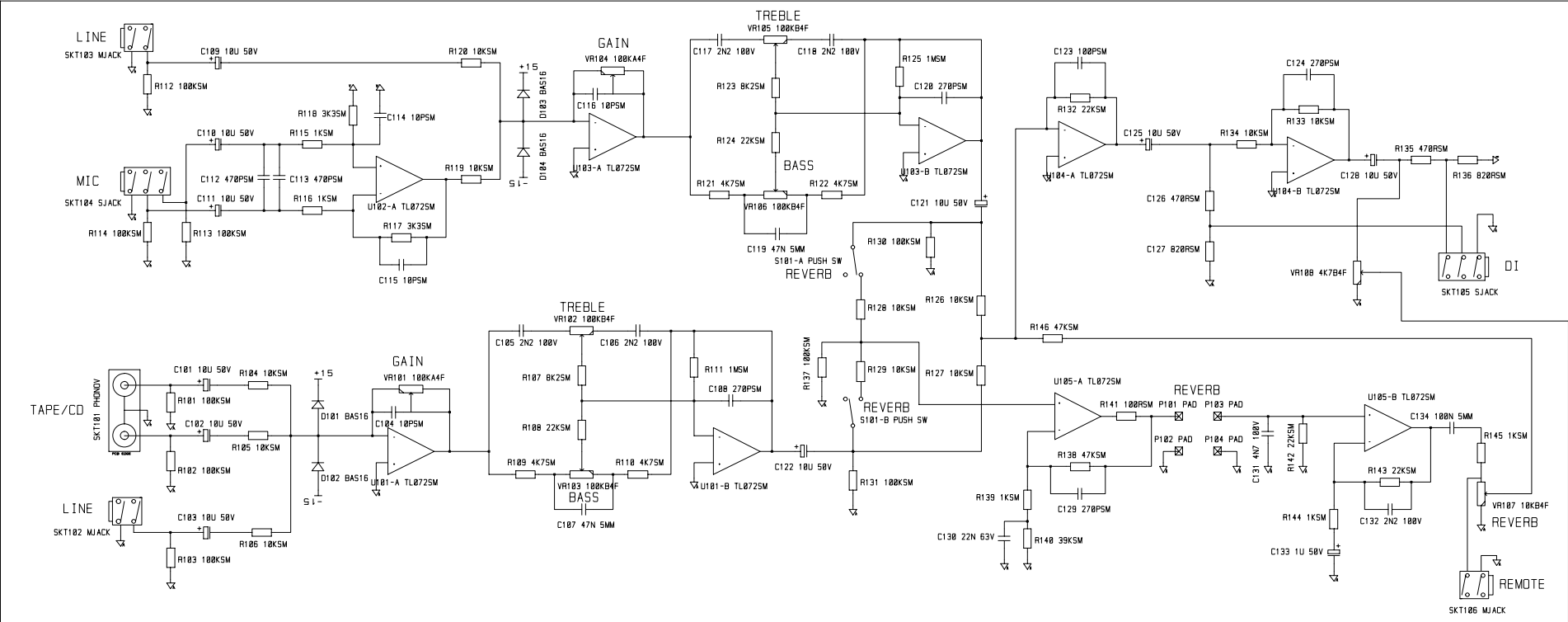
⚠ =ONLY REPLACE WITH SAME TYPE AND RATING

ISSUE	DESCRIPTION	APPD.	DATE

**BLT**  
Industries Ltd.

**TITLE**  
KC50 SERVICE  
DIAGRAM  
PART No

DRAWN	TRACED	CHECKED	APPROVED	DATE
S.L.				11/04/97
DRAWING No.		2621		



DRAWN	DEH
DATE	11/04/97
TITLE	KC50
DRW. NO.	9126_1/_2

ISSUE

TYPE