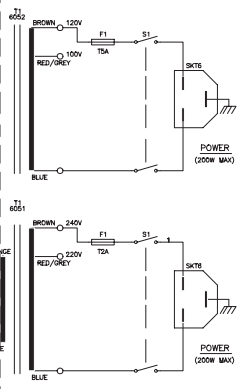


SEE
CHORUS MODULE
CIRCUIT
(DWG.1859)



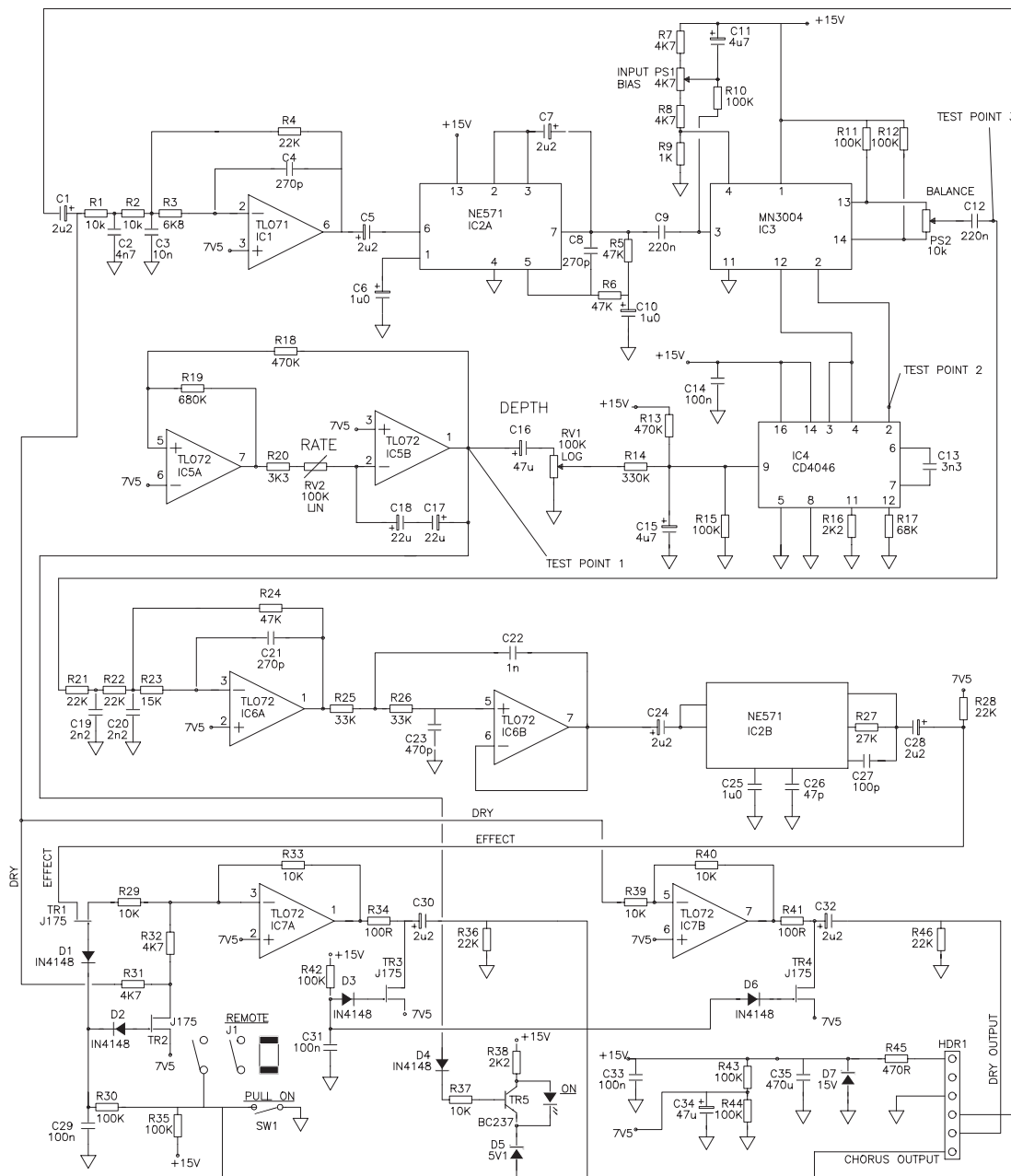
LANEY

L100SC
CIRCUIT DIAGRAM
PART No

D.E.H

18/02/91

1750



ISSUE	DESCRIPTION	APPD.	DATE
2	R16 CHANGED TO 2K2 FROM 3K3	R.J.F	23/9/92
1	REDRAWN	R.J.F	06/07/92



TITLE
CHORUS MODULE CIRCUIT PART No

DRAWN	TRACED	CHECKED	APPROVED	DATE
R.J.F				11/11/92
DRAWING No.		1859		