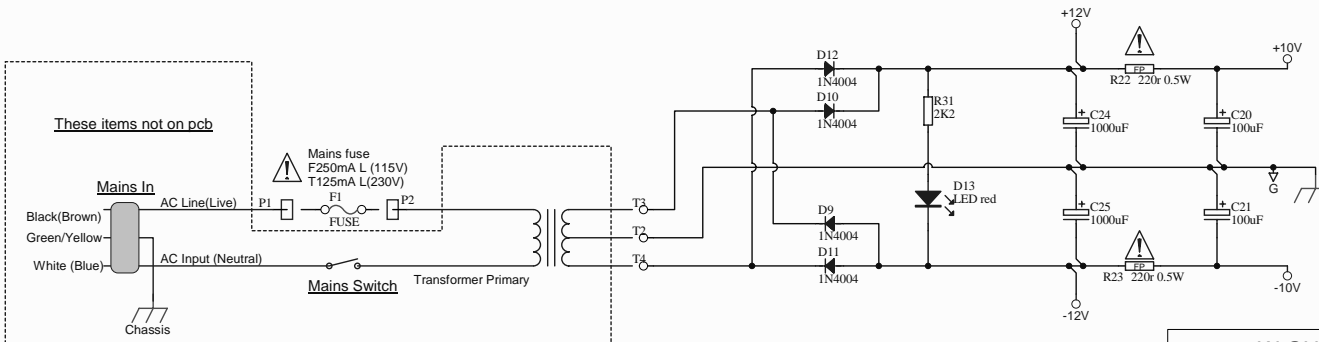
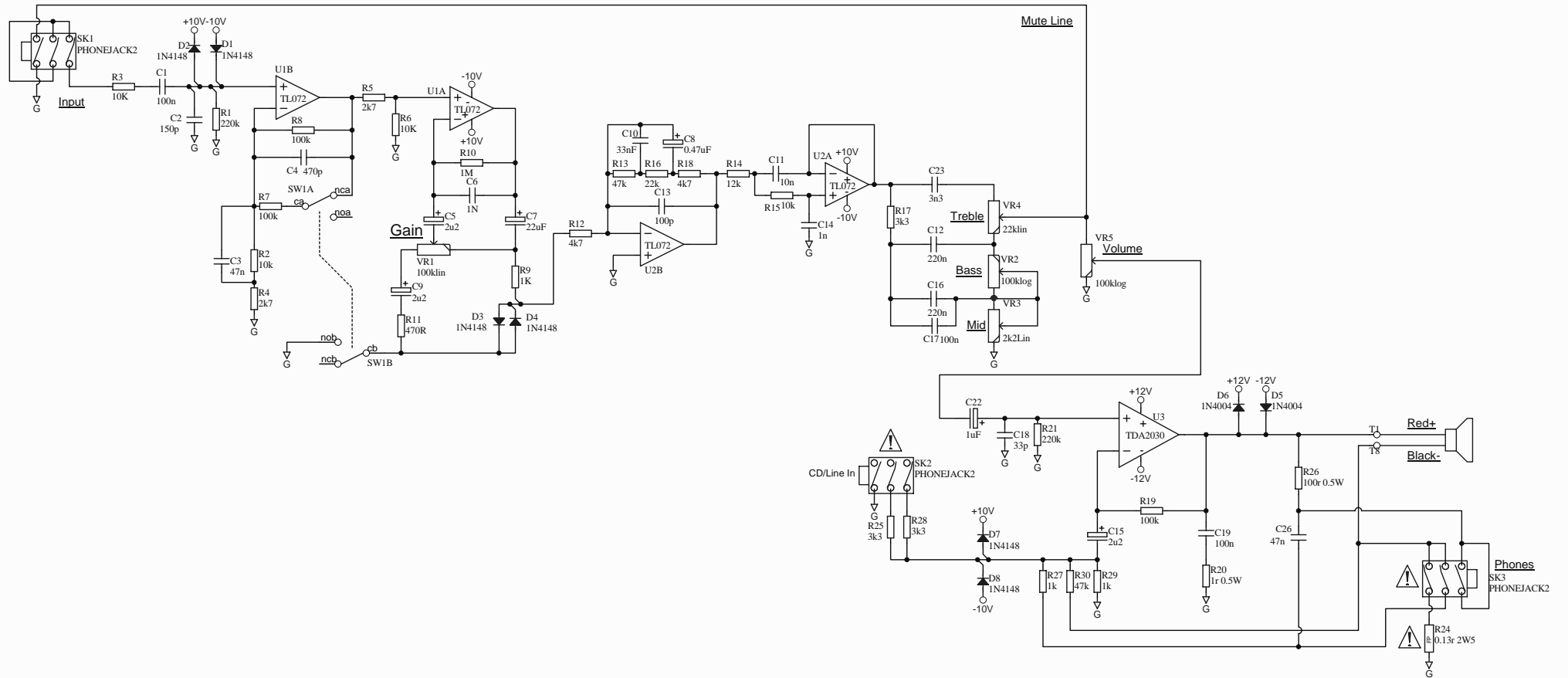


LG12

Service Information

Laney
POWER TO THE MUSIC
www.laney.co.uk



These items not on pcb

FF Flame proof resistor
Must only be replaced with same type and rating

! Indicates safety critical component
Must only be replaced with approved type

Title: 10W GUITAR AMPLIFIER

Size: A3 Number: 9349

Revision: 3

Date: 16/05/2006 Time: 14:33:50 Sheet 1 of 1

Original File: 9349_3.Sch

Steelpark Road
Coombs Wood
Industrial Estate West
Halesowen
UK
www.laney.co.uk

Laney
POWER TO THE MUSIC

CN: C4 FROM 150pF TO 470pF

LG12 SPARE PARTS LIST

Laney

Model No. LG12

SPARES ITEM		DESCRIPTION	PART No.	
Mains Transformer	100V	5600-001126-1 10W 100V Mains Transformer	006192	
	120V	5600-001122-1 10W 120V Mains Transformer	006190	
	230V	5600-001123-1 10W 230V Mains Transformer	006186	
Loudspeaker		6" 4 Ohm 10W Guitar (HBYD160-1)	51017	
Switch	Power	SPST Mini Rocker Switch	005560	
Mains Fuse	100-120V	T250mA 20mm Spiral Wound	005528	
	220-240V	T125mA 20mm Spiral Wound	007169	
Corner	Front	Plastic Type	10052	
	Back	Plastic Type	10053	
Jack Socket	Stereo	1/4 Jack Socket - Standoff Type - Stereo	005098	
PCB's	9349	10W Guitar Amplifier PCB Complete	007003	
	Pots	VR1/2	100K Lin 6mm Spline	004071
		VR2/5	100K Log 6mm Spline	004062
		VR3	2K2 Lin 6mm Spline	004063
		VR4	22K Lin 6mm Spline	004061
	Switch	SW1	2P2W Push Switch	005017
Badge		Small Laney Badge (100mm)	10009	
Control Knob		Small Chicken Head	005628	
Handle		LG Black Strap Handle	1501-0008	
Mains Lead		Built in		
Feet		Screw on Rubber Feet	10059	
Output / Safety Critical Device	1	TDA2030 Audio Amp IC	007170	
	2	1000uF 25V Radial Capacitor	002009	
	3	220R 5W Wire Wound Resistor	001708	
Cabinet Minus Loudspeaker		Carcass minus L/Speaker LG12	007098	
Manual		LG12 User Manual	007099	