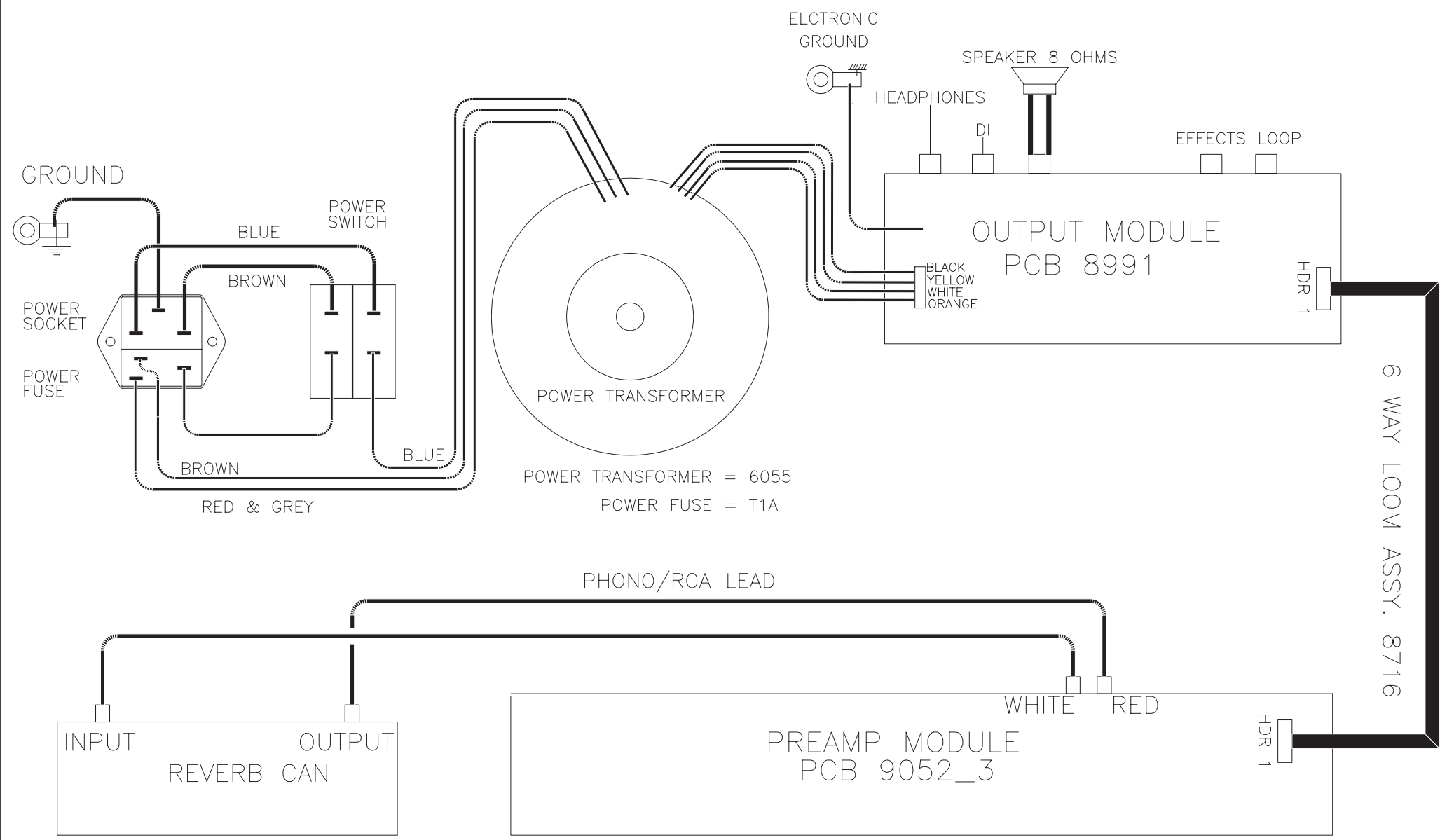


Laney

Service Diagrams

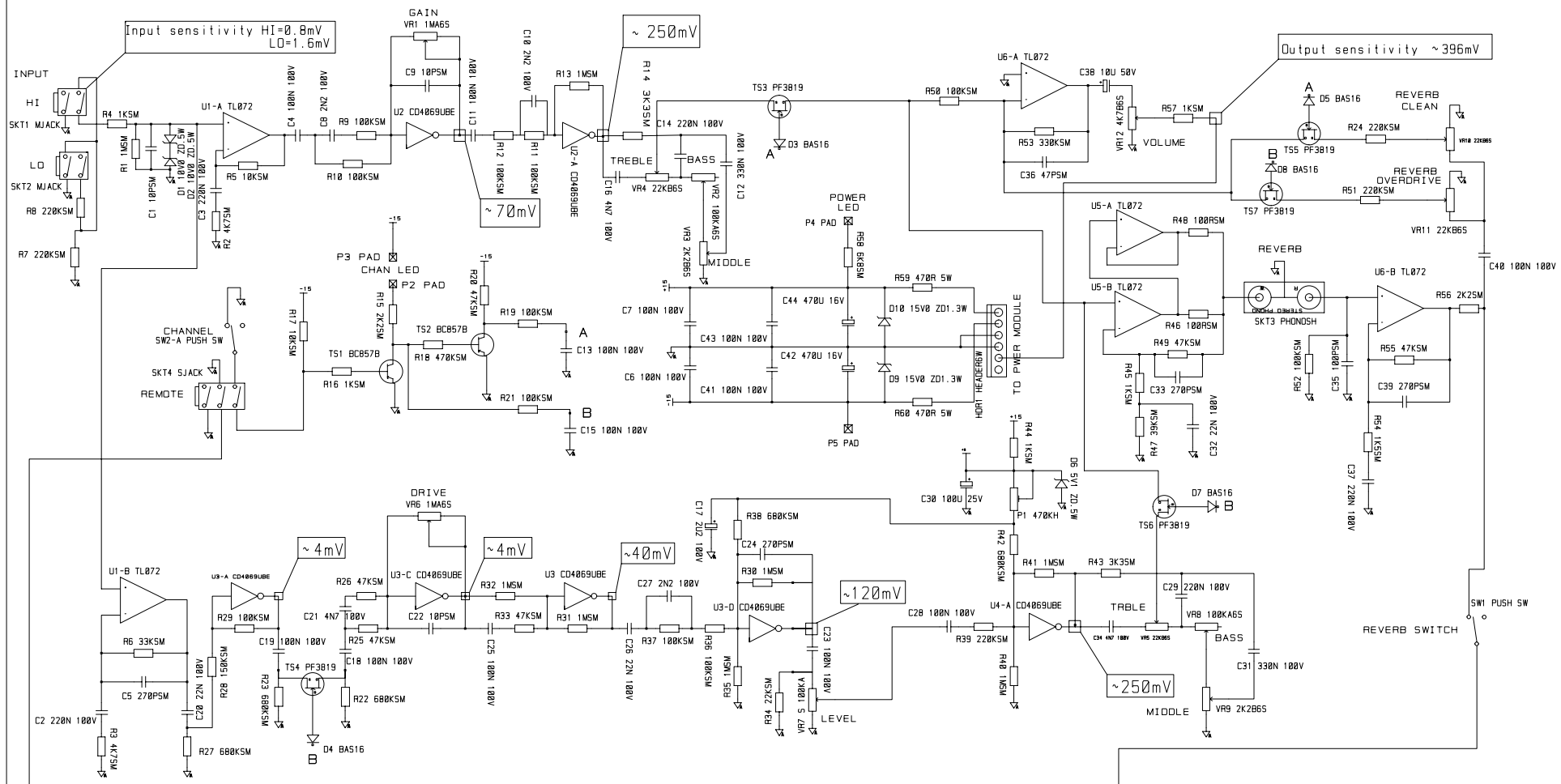


ISSUE	DESCRIPTION	APPD.	DATE

LANEY

TITLE
GC80 SCHEMATIC
220\240V SPEC
PART No

DRAWN	TRACED	CHECKED	APPROVED	DATE
S.L.				23/08/94
DRAWING No.		2296		

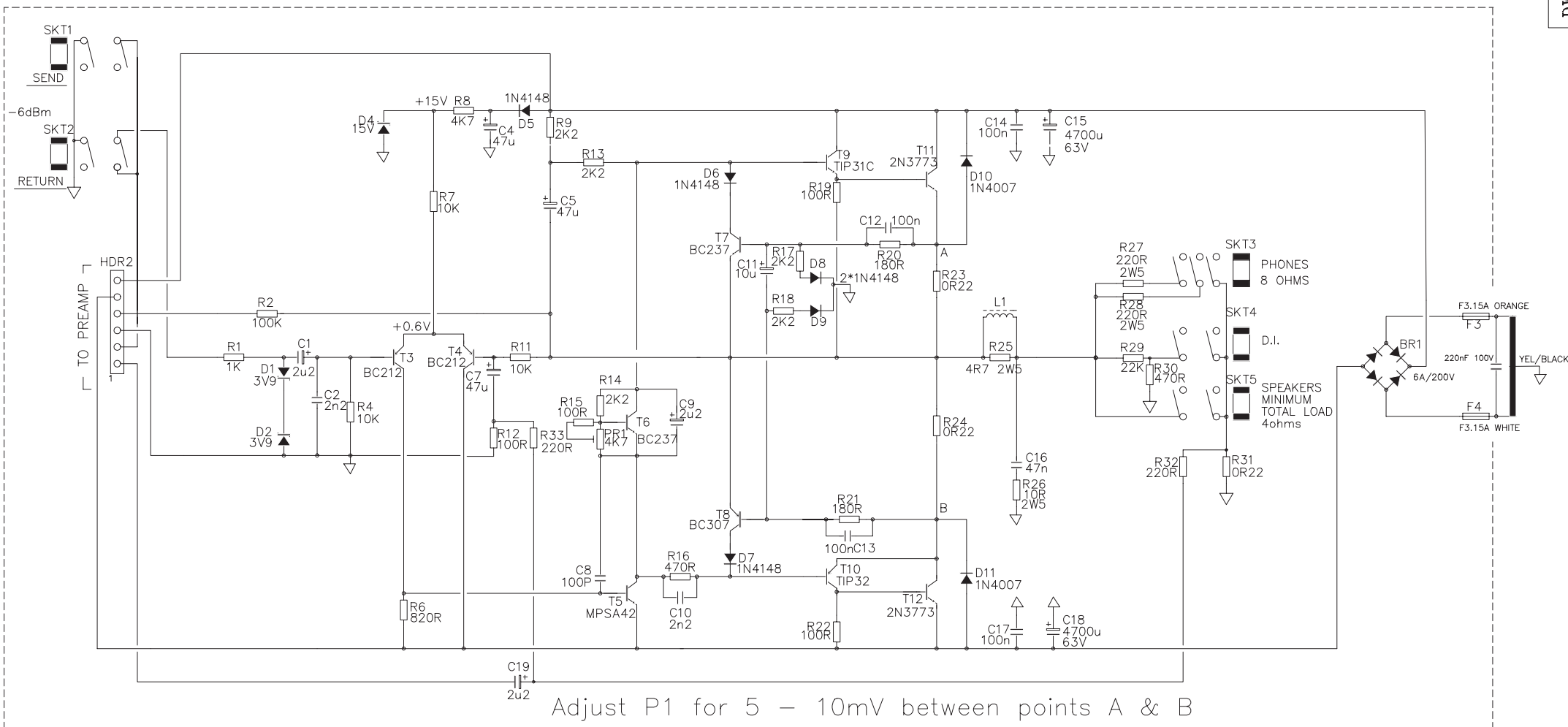


Input sensitivity = GAIN, TONE AND VOLUME CONTROLS TURNED UP TO MAXIMUM
 Overdrive sensitivity = LEVEL CONTROL UP FULL AND DRIVE TURNED UP TILL CLIPS (APPROX 2)

DRAWN	DEH
DATE	15/03/94
TITLE	LGC80/120 PREAMP
DRW. NO.	9052_3

CHANGE R5 FROM 33K TO 10K
 SEE MOD. SHEET 0002
 04/10/94

ISSUE	
TYPE	



ISSUE	DESCRIPTION	APPD.	DATE
	220nF Added across TX Secondary This should be soldered directed to the underside of the pcb		11/02/99

BLT
Industries Ltd.

TITLE	DRAWN	TRACED	CHECKED	APPROVED	DATE
80 - 120 WATT OUTPUT BOARD NO. 8991 PART No	S.L.				30/08/94
	DRAWING No.		2315		