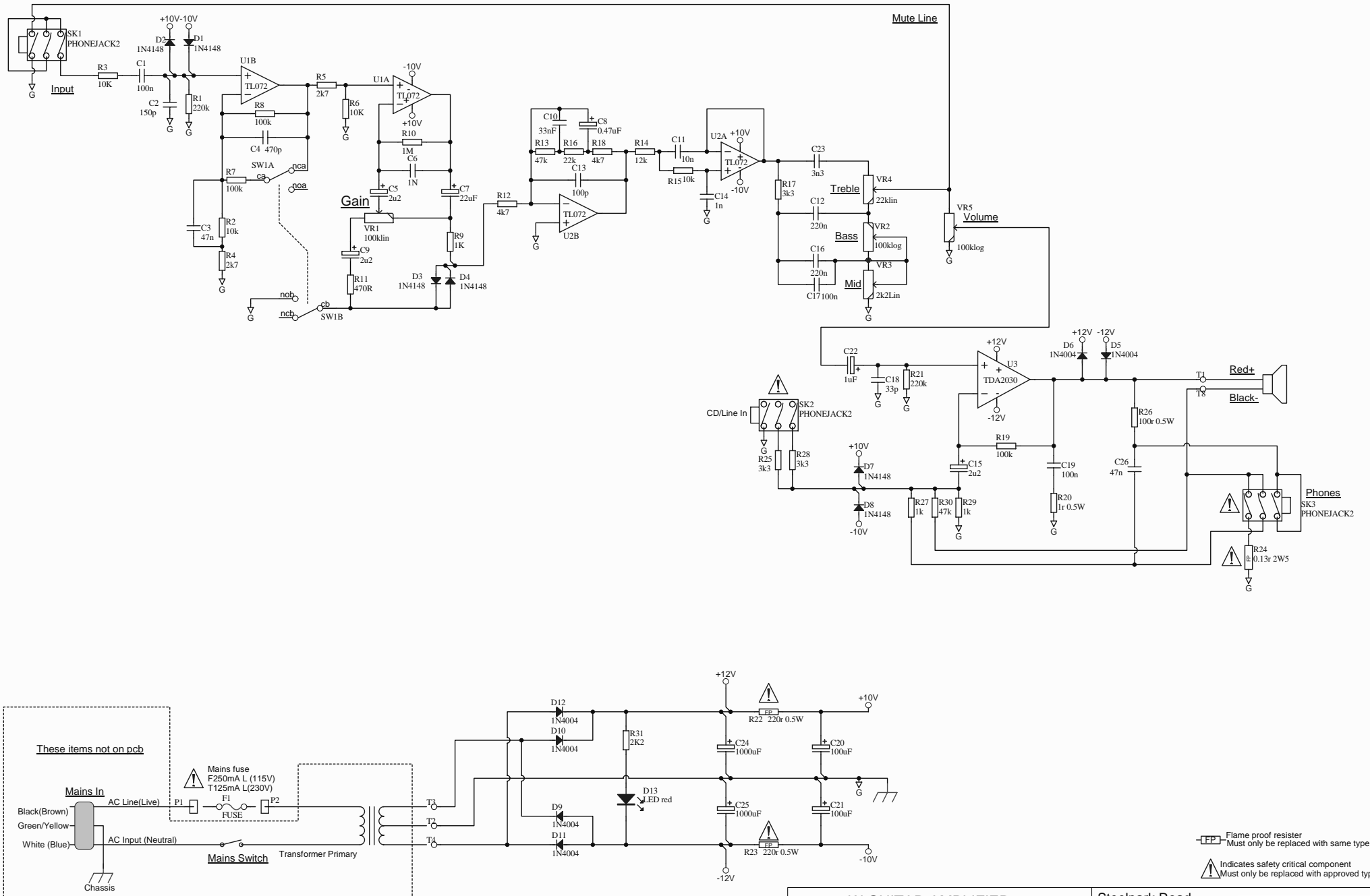


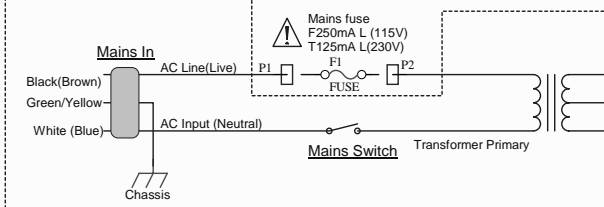
LX12

Service Information

Laney
POWER TO THE MUSIC
www.laney.co.uk



These items not on pcb



CN: C4 FROM 150pF TO 470pF

Title: 10W GUITAR AMPLIFIER		
Size: A3	Number: 9349	Revision: 3
Date: 16/05/2006	Time: 14:33:50	Sheet 1 of 1
Original File: 9349_3.Sch		

Steelpark Road
 Coombs Wood
 Industrial Estate West
 Halesowen
 UK
 www.laney.co.uk



⚠ Indicates safety critical component
 Must only be replaced with approved type

⚡ Flame proof resistor
 Must only be replaced with same type and rating

LX12 SPARE PARTS LIST

Laney

Model No. LX12

SPARES ITEM		DESCRIPTION	PART No.	
Mains Transformer	100V	5600-001126-1 10W 100V Mains Transformer	006192	
	120V	5600-001122-1 10W 120V Mains Transformer	006190	
	230V	5600-001123-1 10W 230V Mains Transformer	006186	
Loudspeaker		6" 4 Ohm 10W Guitar (HBYD160-1)	51017	
Switch	Power	SPST Mini Rocker Switch	005560	
Mains Fuse	100-120V	T250mA 20mm Spiral Wound	005528	
	220-240V	T125mA 20mm Spiral Wound	007169	
Corner	Front/Back	Black Non Hooked Type	007035	
Jack Socket		1/4 Jack Socket - Standoff Type - Stereo	005098	
PCB's	9349	10W Guitar Amplifier PCB Complete	007003	
	Pots	VR1/2	100K Lin 6mm Spline	004071
		VR2/5	100K Log 6mm Spline	004062
		VR3	2K2 Lin 6mm Spline	004063
		VR4	22K Lin 6mm Spline	004061
	Switch	SW1	2P2W Push Switch	005017
Badge	1	Small Laney Badge (100mm)	10009	
	2	Extreme Badge	007069	
Control Knob		Small Chicken Head	005628	
Handle		Black Strap Handle	10100	
Mains Lead		Built in		
Feet		Screw on Rubber Feet	10059	
Output / Safety Critical Device	1	TDA2030 Audio Amp IC	007170	
	2	1000uF 25V Radial Capacitor	002009	
	3	220R 5W Wire Wound Resistor	001708	
Cabinet Minus Loudspeaker		Carcass minus L/Speaker LX12	007115	
Manual		LX12 User Manual	007116	