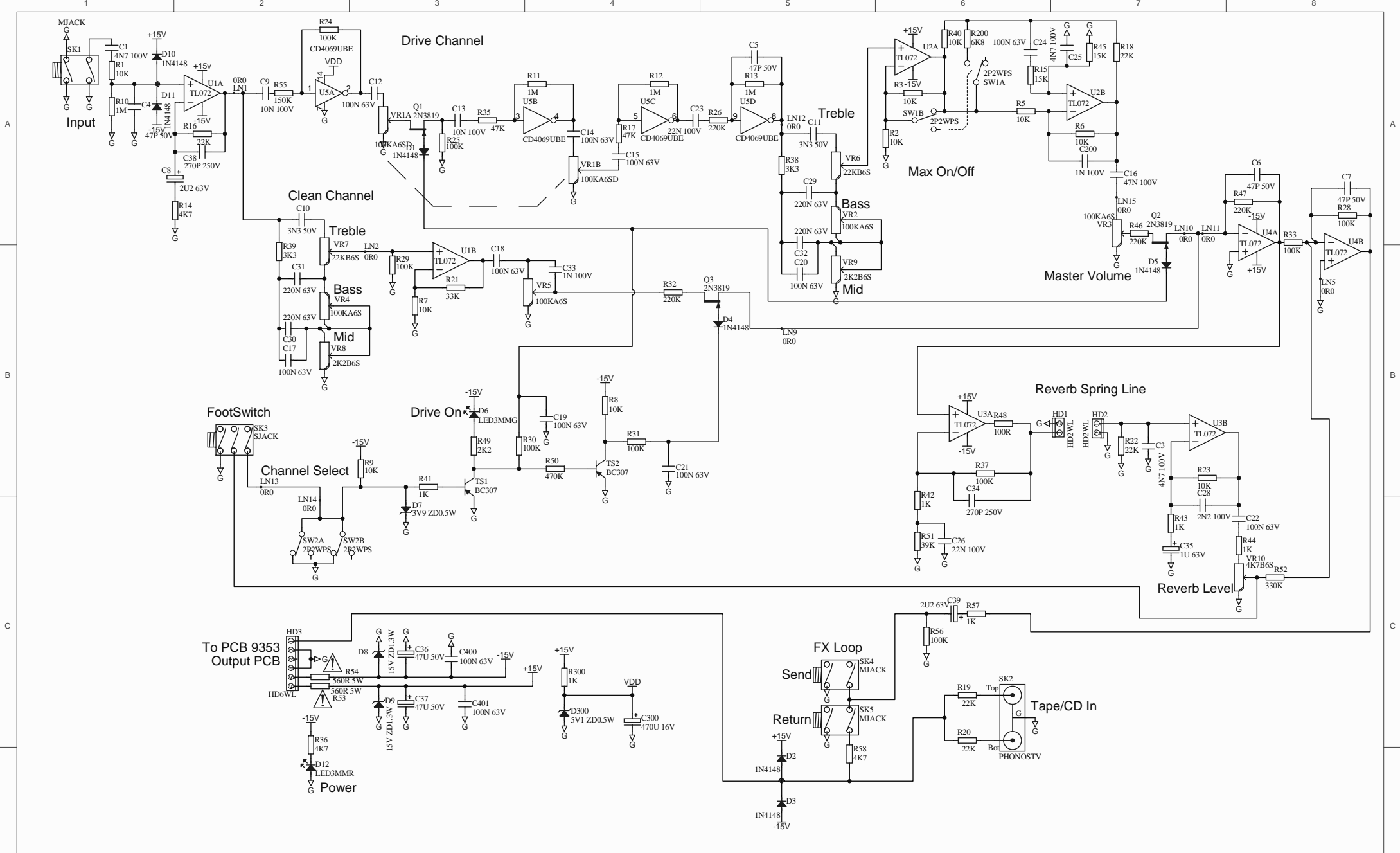


**LX65R**

***Service Information***

**Laney**  
POWER TO THE MUSIC  
[www.laney.co.uk](http://www.laney.co.uk)



⚠ Indicates safety critical component  
 Must only be replaced with approved type

NOTE: All resistors to be 1/4W unless otherwise stated  
 NOTE: All capacitors to be rated at 16V or higher

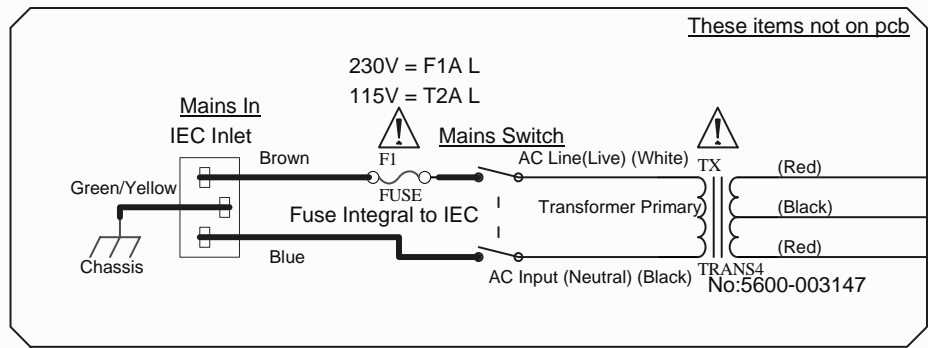
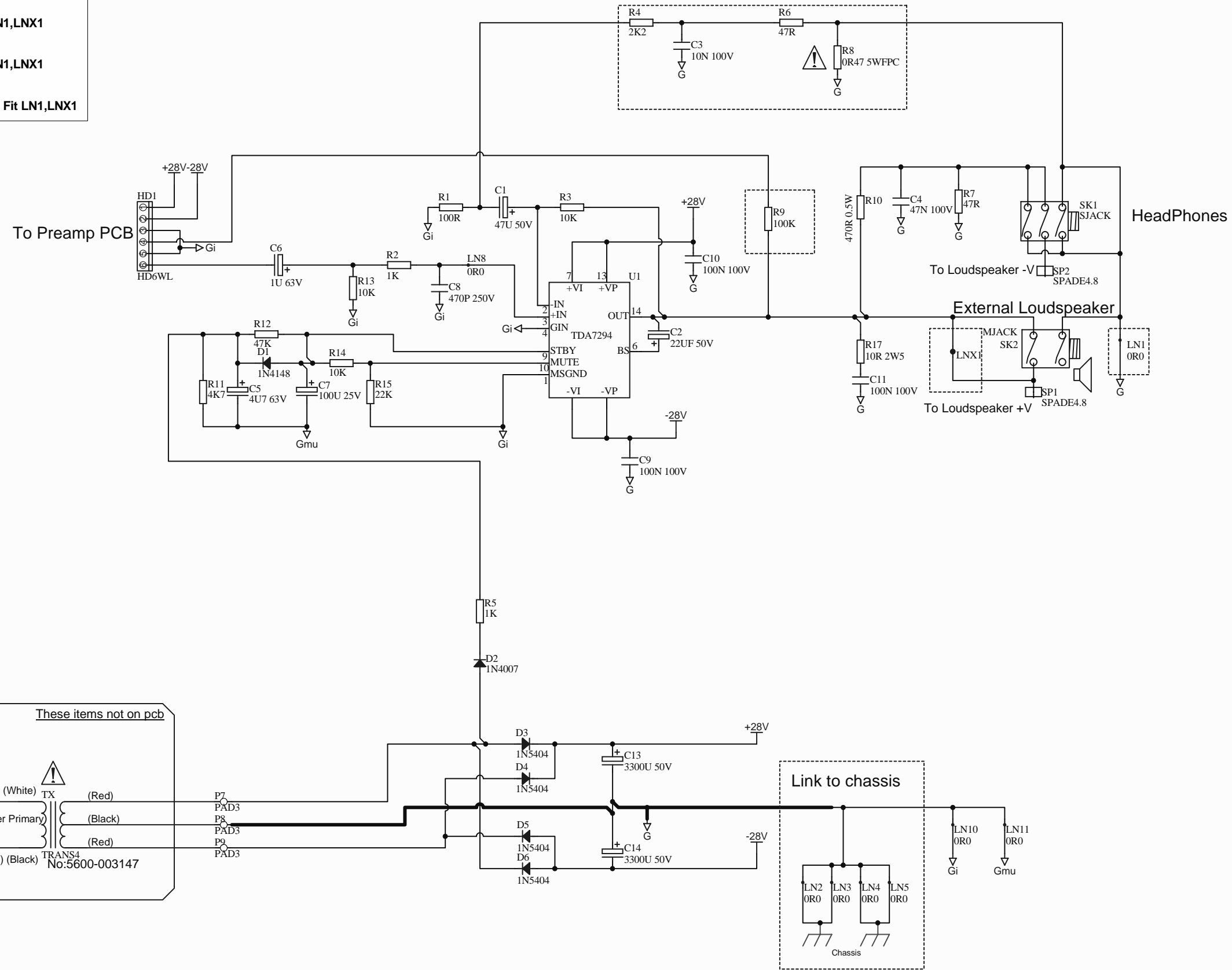
Title: 65W GUITAR PREAMPLIFIER		
Size: A3	Number: 9351	Revision: 4
Date: 16/05/2006	Time: 16:46:30	Sheet 1 of 1
Original File: 9351_4.Sch		

Steelpark Road  
 Coombs Wood  
 Industrial Estate West  
 Halesowen  
 UK  
 www.laney.co.uk



**Build Options**

- Option A:** Fit C3,R4,R6,R8,R9. Fit LN1,LNX1  
R4=47r, C3=2u2F
- Option B:** Fit C3,R4,R6,R8,R9. Fit LN1,LNX1  
R4=2K2, C3=10nF
- Option C:** Miss out C3,R4,R6,R8,R9. Fit LN1,LNX1



Flame proof resistor  
Must only be replaced with same type and rating

Indicates safety critical component  
Must only be replaced with approved type

Title: 65W>80W Output PCB		
Size: A3	Number: 9353	Revision: 2
Date: 16/05/2006	Time: 13:01:17	Sheet 1 of 1
Original File: 9353_2.sch		

Steelpark Road  
Coombs Wood  
Industrial Estate West  
Halesowen  
UK  
www.laney.co.uk

**Laney**  
POWER TO THE MUSIC

# LX65R SPARE PARTS LIST



Model No. <b>LX65R</b>
---------------------------

SPARES ITEM	DESCRIPTION	PART No.
-------------	-------------	----------

Mains Transformer	100V	5600-003149 65W 100V Mains Transformer	006196	
	120V	5600-003148 65W 120V Mains Transformer	006188	
	230V	5600-003147 65W 230V Mains Transformer	006183	
Reverb Unit		220mm 2 Spring Reverb Unit	005056	
Loudspeaker		Celestion 70 Eighty 8 Ohm	51200	
Switch	Power	5A DPDT Rocker Switch	530027	
Mains Fuse	100-120V	T2A 20mm Spiral Wound	005526	
	220-240V	T1A 20mm Spiral Wound	005530	
Corner	Front/Back	Black Non Hooked Type	007035	
Jack Sockets		Stereo Jack Socket PCB Mount	005003	
		1/4 Jack Socket PCB Mount	005002	
PCB's	9353	80W Output Stage PCB Complete	007020	
	9351	65W Pre Amp PCB Complete	007018	
	Pots	VR2/3/4/5	100K Log 6mm Spline	004062
		VR1	100K Log 6mm Spline Dual	004073
		VR8/9	2K2 Lin 6mm Spline	004063
		VR10	4K7 Lin 6mm Spline	004072
		VR6/7	22K Lin 6mm Spline	004061
	Switch	SW1	2P2W Push Switch	005017
Badge	1	Small Laney Badge (100mm)	10009	
	2	Extreme Badge	007069	
Control Knob		Small Chicken Head	005628	
Handle		Black Strap Handle	10100	
Mains Inlet Socket		IEC Mains Inlet Socket Fused	005005	
Phono Sockets		Stereo Vertical Phono Sockets	005058	
Footswitch		FS2	FS2E	
Mains Lead		Country Dependant		
Feet		Screw on Rubber Feet	10059	
Output / Safety Critical Device	1	TDA7294 Audio Amplifier IC	003401	
	2	3300uF 50V Radial Capacitor	002044	
	3	0R47 5W Resistor	001505	
	4	560R 5W Resistor	001710	
Cabinet Minus Loudspeaker		Carcass minus L/Speaker LX65R	007129	
Manual		LX65R User Manual	007131	