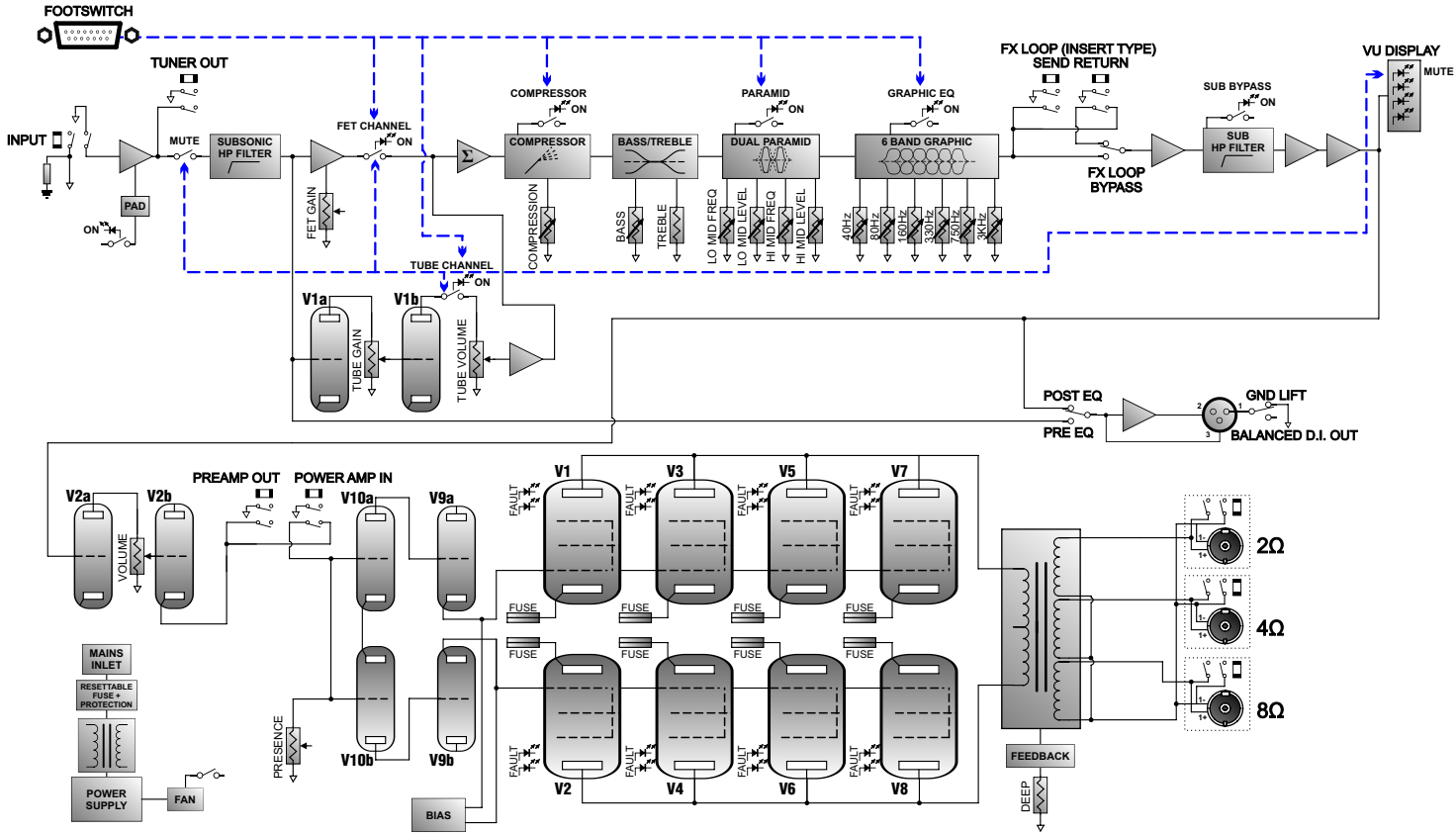


***NXT***

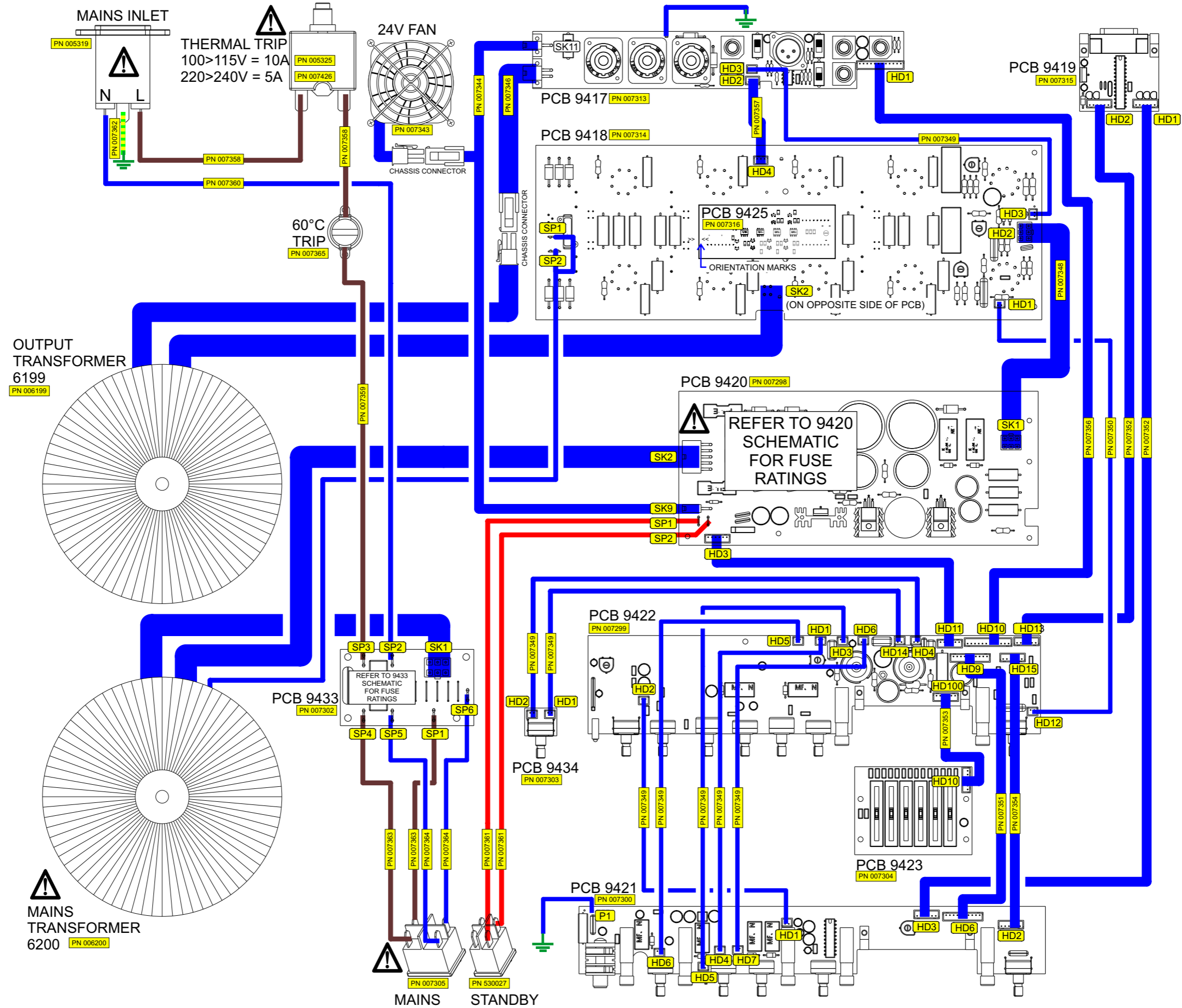
***Service Information***

**Laney**  
POWER TO THE MUSIC  
[www.laney.co.uk](http://www.laney.co.uk)

# NXT BLOCK DIAGRAM (SERVICE MANUAL)



# NXT SYSTEM WIRING DIAGRAM



PCBS ALL VIEWED FROM CONNECTOR SIDE. ACTUAL ORIENTATION IN UNIT MAY DIFFER

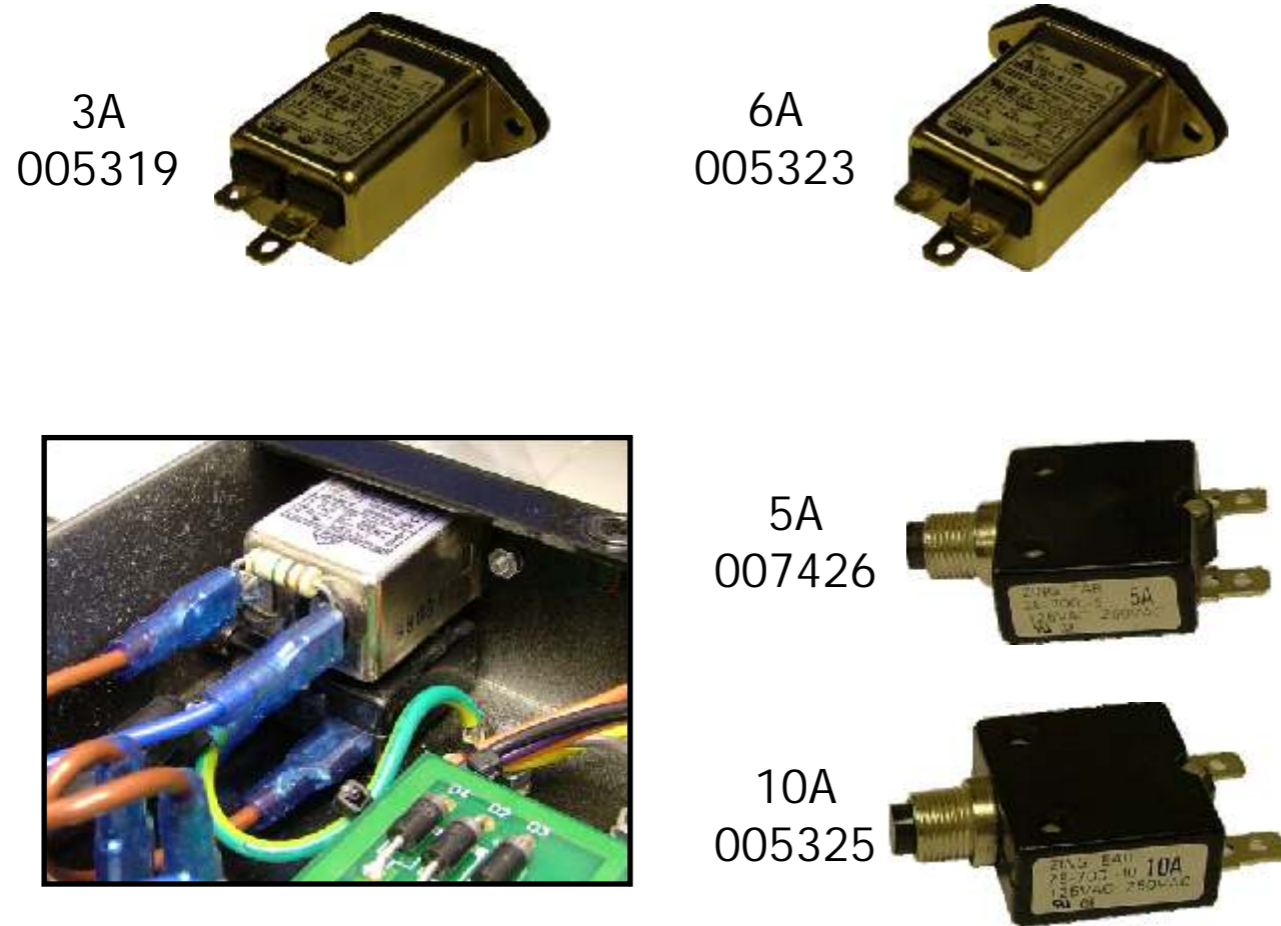
Nexus Bass Amplifiers can be adapted to run from different voltages by making changes in three places.

1. The Power Switch
2. Mains Inlet & Resettable Trip
3. The Voltage Selection PCB

2. Mains Inlet & Resettable Trip;

The mains inlet & resettable trips must be changed as set out in the table below for the various voltages.

The items are located at the rear of the amplifier as in the photo. The Mains Inlet is secured by 2 x M3 screws, nuts & washers, & the resettable trip is secured by 1 x hex nut.



	NXT		NXF	
	100-115V	230V	100-115V	230V
EMI Filtered Mains Inlet	6A - 005323	3A - 005319	6A - 005323	3A - 005319
Resettable Trip	10A - 005325	5A - 007426	10A - 005325	5A - 007426

1. Power switch;

In general appearance the 2 switches look the same, but use 007305 for 230V & 007435 for 100 -115V range.

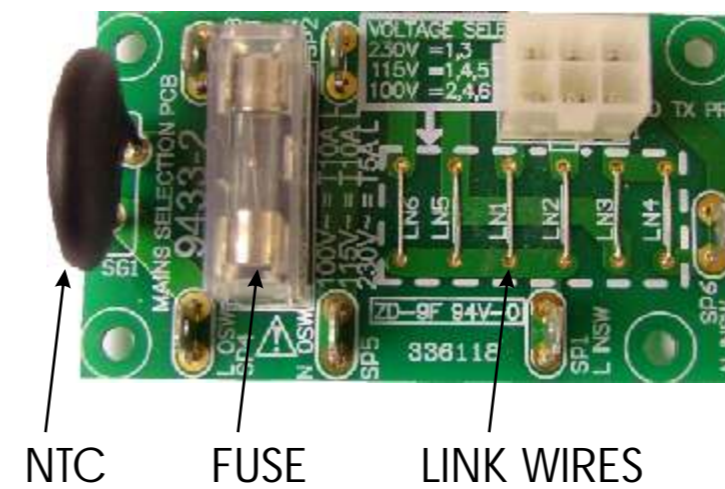


007305

007435

3. Voltage Selection PCB;

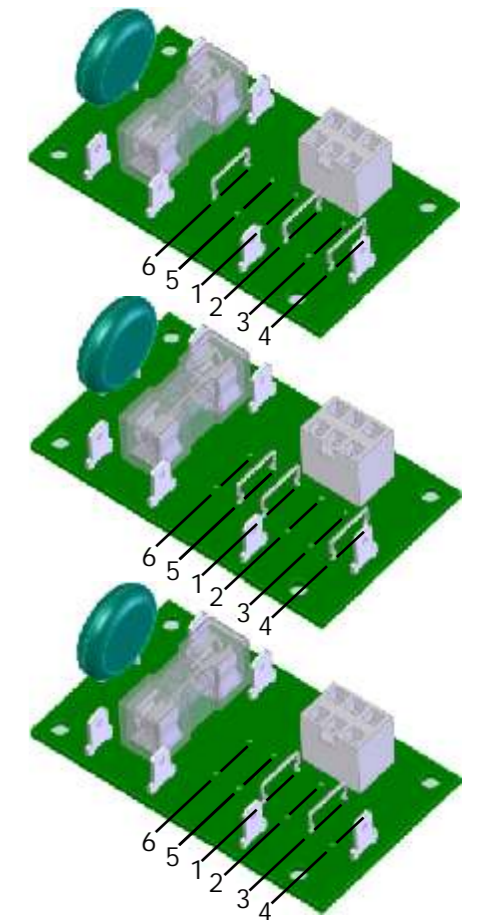
The Voltage Selection PCB is located in the front of the chassis by the power & standby switch & is secured by 4 self tapping screws. The fuse, NTC & link wires, on the PCB must be configured for the required voltage as set out in the table.



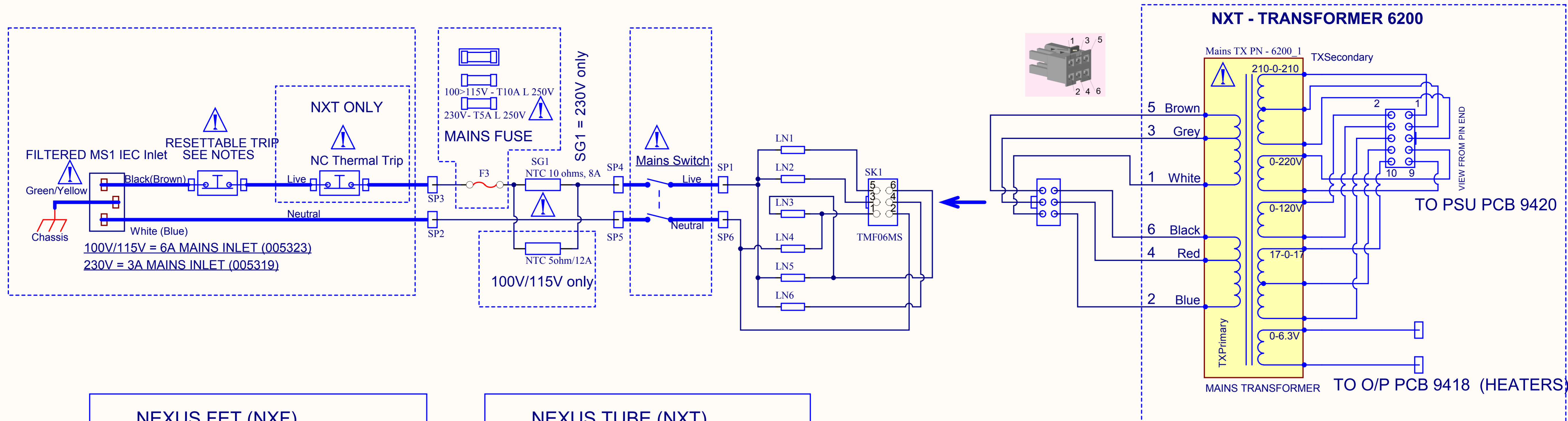
100V

115V

230V



	LINK WIRES						FUSE	NTC
	1	2	3	4	5	6		
100V		*		*		*	T10A L 540023	SURGE GUARD 003032 12A
115V	*			*	*		T10A L 540023	SURGE GUARD 003032 12A
230V	*		*				T5A L 005531	SURGE GUARD 003031 8A

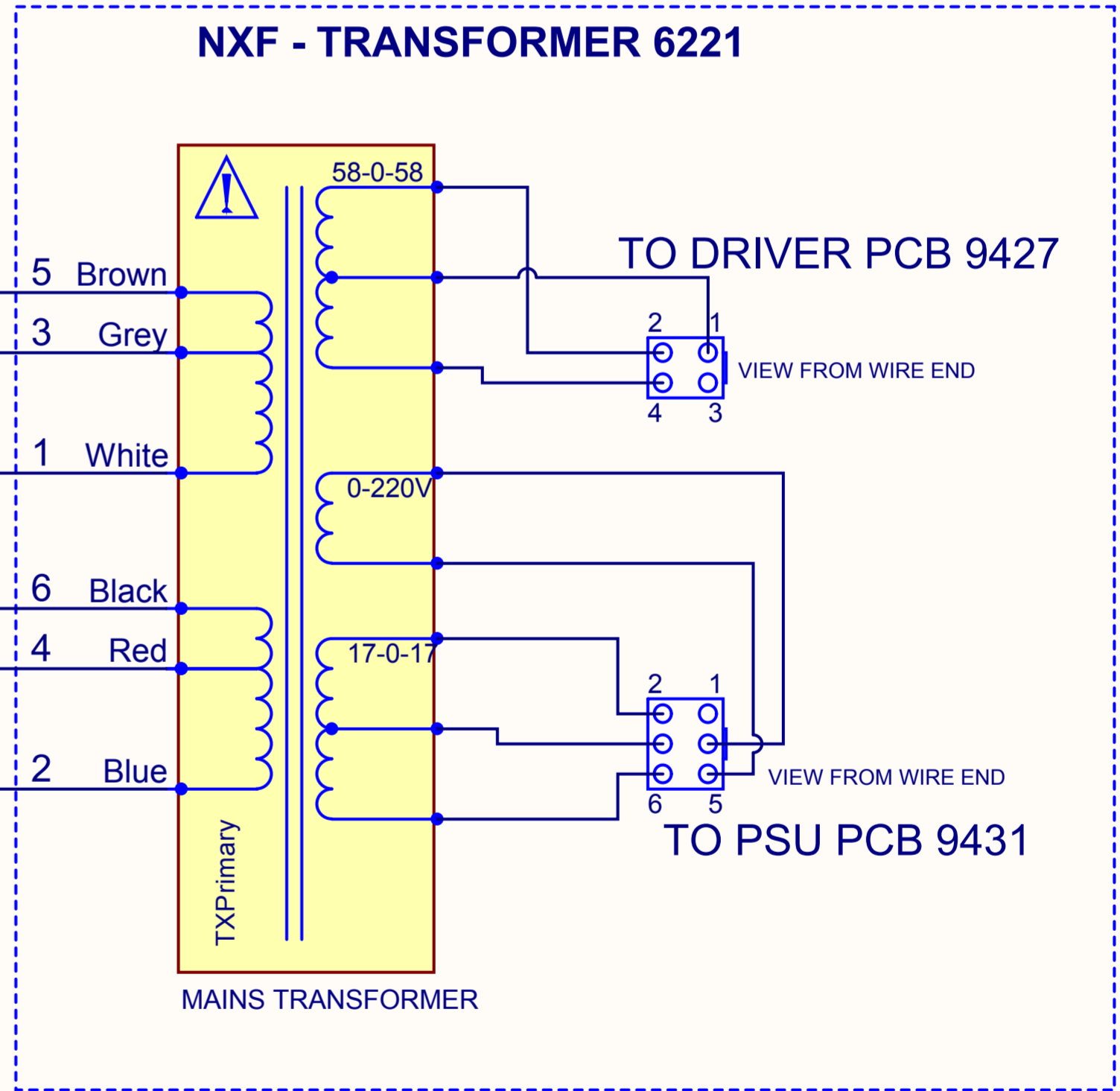


**NEXUS FET (NXF)  
VOLTAGE SELECTION**

~230V	FIT LN1, LN3 only MAINS FUSE = T5A L (005531) RESETTABLE TRIP = 5A (007426) MAINS INLET = 3A (005319) SG1 = 10 OHM 8A (003031)
~115V	FIT LN1, LN4, LN5 only MAINS FUSE = T10A L (540023) RESETTABLE TRIP = 10A (005325) MAINS INLET = 6A (005323) SG1 = 5 OHM 12A (003032)
~100V	FIT LN2, LN4, LN6 only MAINS FUSE = T10A L (540023) RESETTABLE TRIP = 10A (005325) MAINS INLET = 6A (005323) SG1 = 5 OHM 12A (003032)

**NEXUS TUBE (NXT)  
VOLTAGE SELECTION**

~230V	FIT LN1, LN3 only MAINS FUSE = T5A L (005531) RESETTABLE TRIP = 5A (007426) MAINS INLET = 3A (005319) SG1 = 10 OHM 8A (003031)
~115V	FIT LN1, LN4, LN5 only MAINS FUSE = T10A L (540023) RESETTABLE TRIP = 10A (005325) MAINS INLET = 6A (005323) SG1 = 5 OHM 12A (003032)
~100V	FIT LN2, LN4, LN6 only MAINS FUSE = T10A L (540023) RESETTABLE TRIP = 10A (005325) MAINS INLET = 6A (005323) SG1 = 5 OHM 12A (003032)



ITEMS WITHIN DASHED AREA ARE NOT ON PCB OR ARE OPTIONS

⚡ All capacitors to be 100V minimum rating unless stated otherwise

⚡ Flame proof resistor  
Must only be replaced with same type and rating

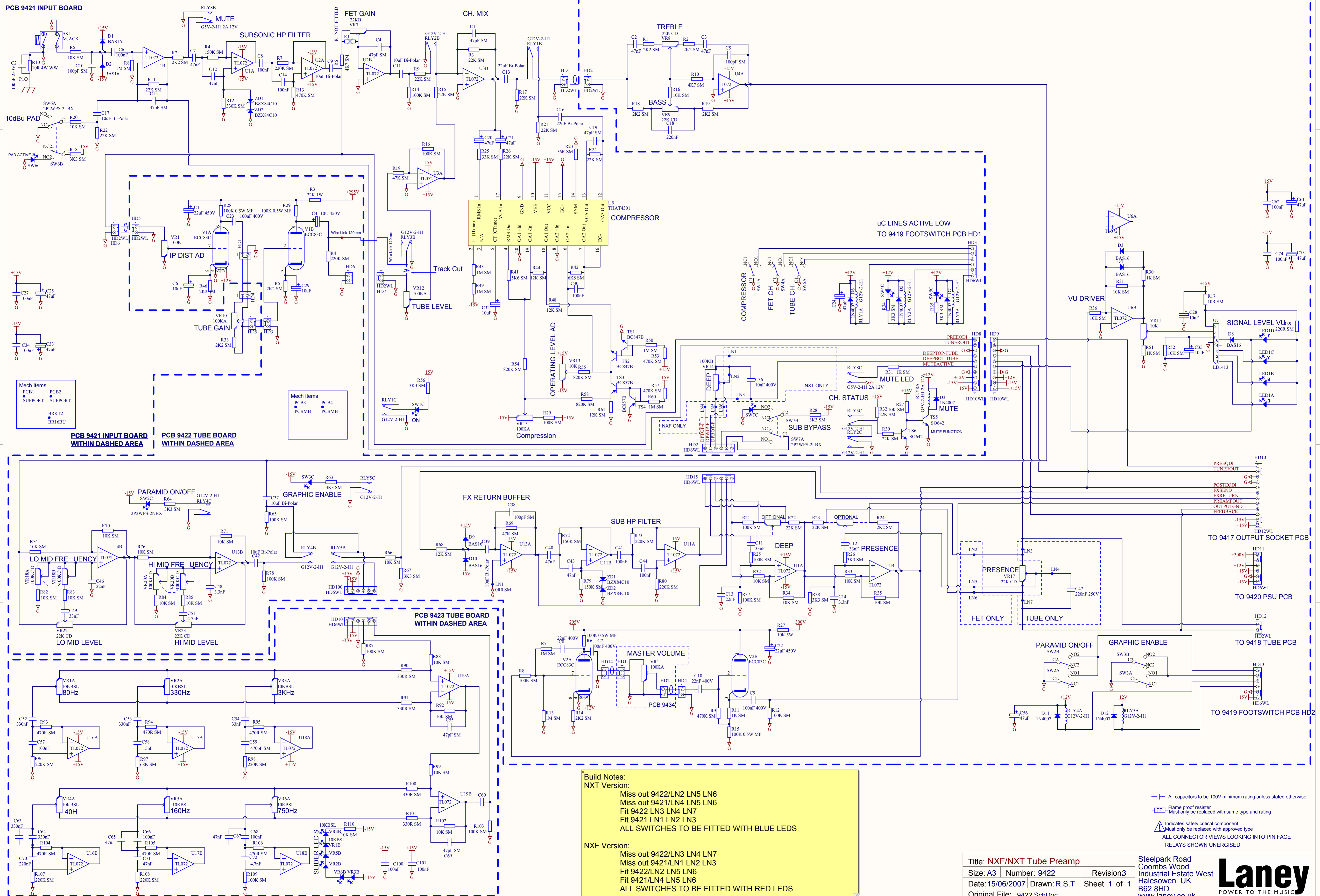
⚠ Indicates safety critical component  
Must only be replaced with approved type

ALL CONNECTOR VIEWS LOOKING INTO PIN FACE

Title: NXF/NXT MAINS SELECTION PCB		
Size: A3	Number: 9433	Revision: 4
Date: 26/02/2008	Time: 17:17:35	Sheet 1 of 1
Original File: 9433.SchDoc		

Steelpark Road  
 Coombs Wood  
 Industrial Estate West  
 Halesowen  
 UK  
 www.laney.co.uk

**Laney**  
 POWER TO THE MUSIC



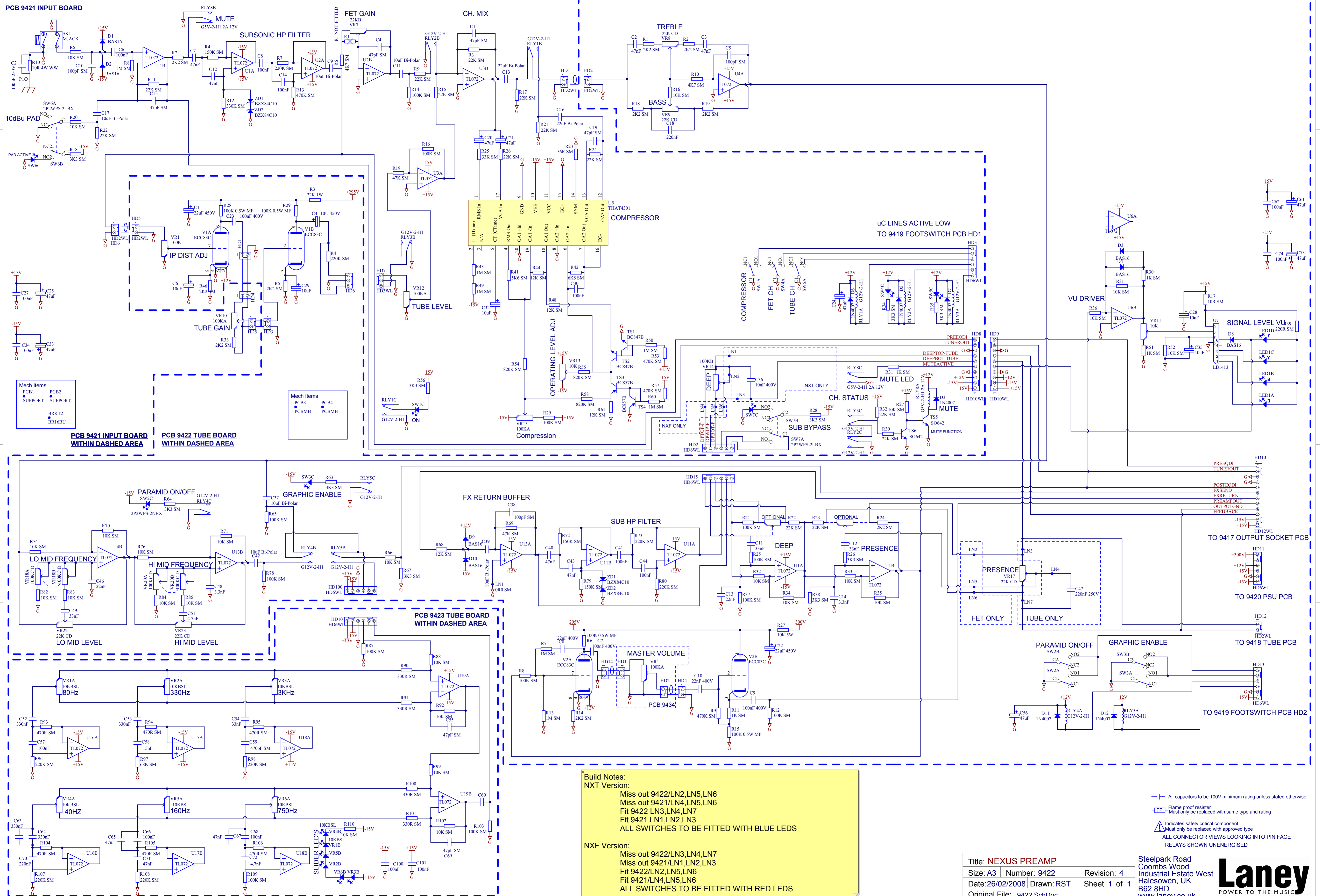
**Build Notes:**  
**NXT Version:**  
 Miss out 9422/LN5 LN6  
 Miss out 9421/LN4 LN5 LN6  
 Fit 9422 LN3 LN4 LN7  
 Fit 9421 LN1 LN2 LN3  
 ALL SWITCHES TO BE FITTED WITH BLUE LEDS

**NXF Version:**  
 Miss out 9422/LN3 LN4 LN7  
 Miss out 9421/LN1 LN2 LN3  
 Fit 9422/LN2 LN5 LN6  
 Fit 9421/LN4 LN5 LN6  
 ALL SWITCHES TO BE FITTED WITH RED LEDS

- All capacitors to be 100V minimum rating unless stated otherwise
- Flame proof resistor  
Must only be replaced with same type and rating
- Indicates safety critical component  
Must only be replaced with approved type
- ALL CONNECTOR VIEWS LOOKING INTO PIN FACE
- RELAYS SHOWN UNERGISED

Title: NXF/NXT Tube Preamp		Steelpark Road	
Size: A3	Number: 9422	Revision: 3	Coombs Wood
Date: 15/06/2007	Drawn: R.S.T	Sheet 1 of 1	Halesowen UK
Original File: 9422.SchDoc			B62 8HD
			www.laney.co.uk





**Build Notes:**  
**NXT Version:**  
 Miss out 9422/LN2, LN5, LN6  
 Miss out 9421/LN4, LN5, LN6  
 Fit 9422 LN3, LN4, LN7  
 Fit 9421 LN1, LN2, LN3  
 ALL SWITCHES TO BE FITTED WITH BLUE LEDS

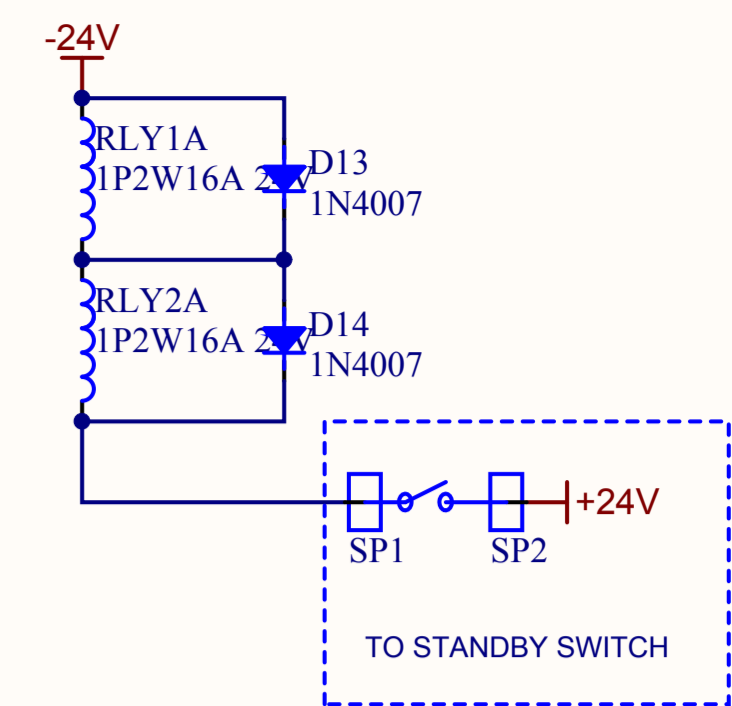
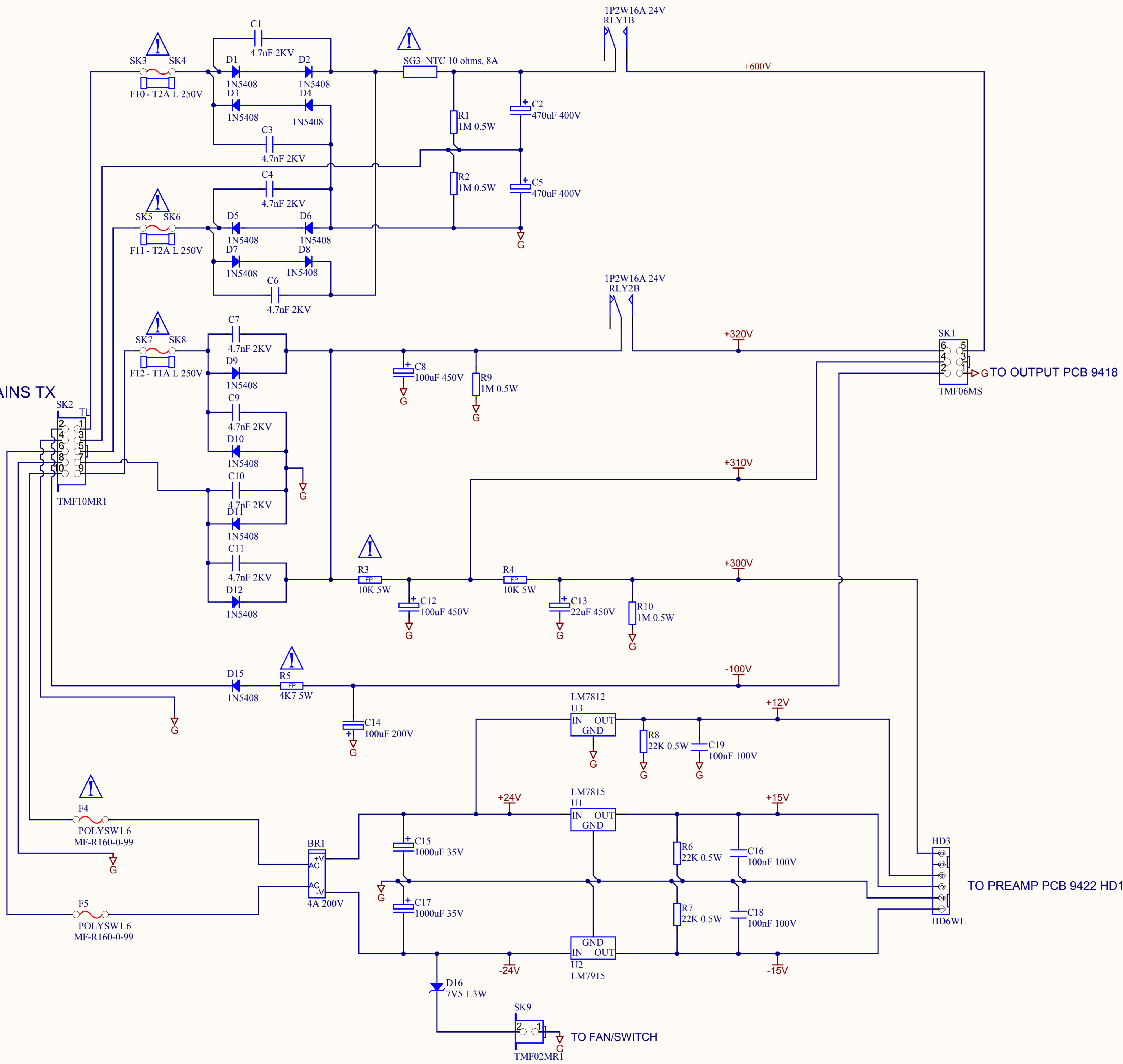
**NXF Version:**  
 Miss out 9422/LN3, LN4, LN7  
 Miss out 9421/LN1, LN2, LN3  
 Fit 9422/LN2, LN5, LN6  
 Fit 9421/LN4, LN5, LN6  
 ALL SWITCHES TO BE FITTED WITH RED LEDS

- Capacitor symbol: All capacitors to be 100V minimum rating unless stated otherwise
- Resistor symbol: Flame proof resistor. Must only be replaced with same type and rating
- Triangle symbol: Indicates safety critical component. Must only be replaced with approved type
- Connector symbol: ALL CONNECTOR VIEWS LOOKING INTO PIN FACE
- Relay symbol: RELAYS SHOWN UNENERGISED

Title: <b>NEXUS PREAMP</b>		Steelpark Road	
Size: A3	Number: 9422	Revision: 4	Coombs Wood
Date: 26/02/2008	Drawn: RST	Sheet 1 of 1	Halesowen, UK
Original File: 9422.SchDoc			B62 8HD
			www.laney.co.uk



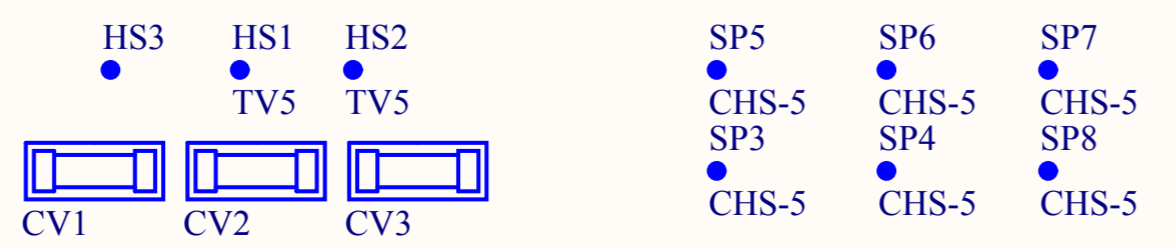
FROM MAINS TX



Flame proof resistor  
Must only be replaced with same type and rating

Indicates safety critical component  
Must only be replaced with approved type

ALL CONNECTOR VIEWS LOOKING INTO PIN FACE unless stated

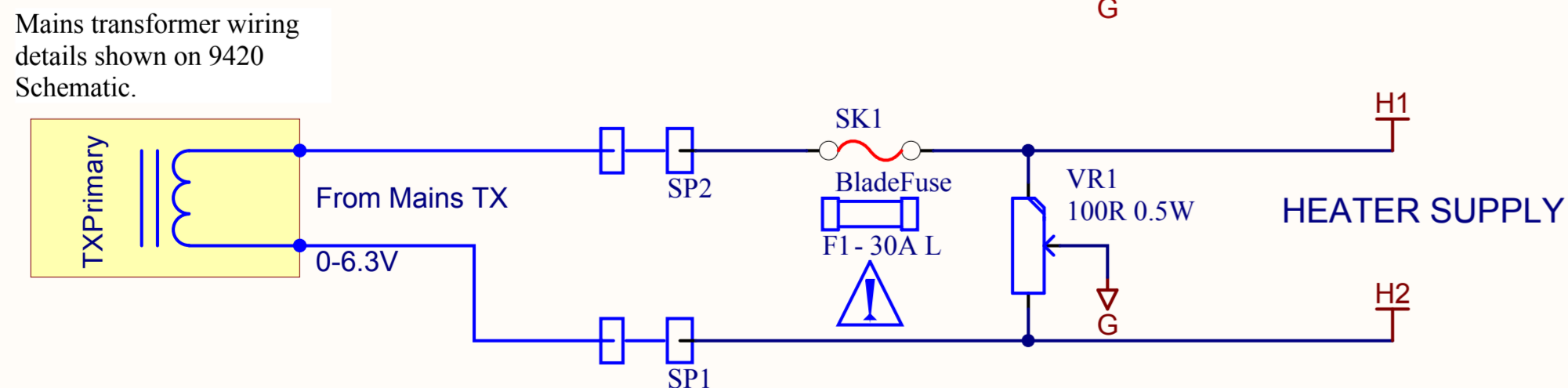
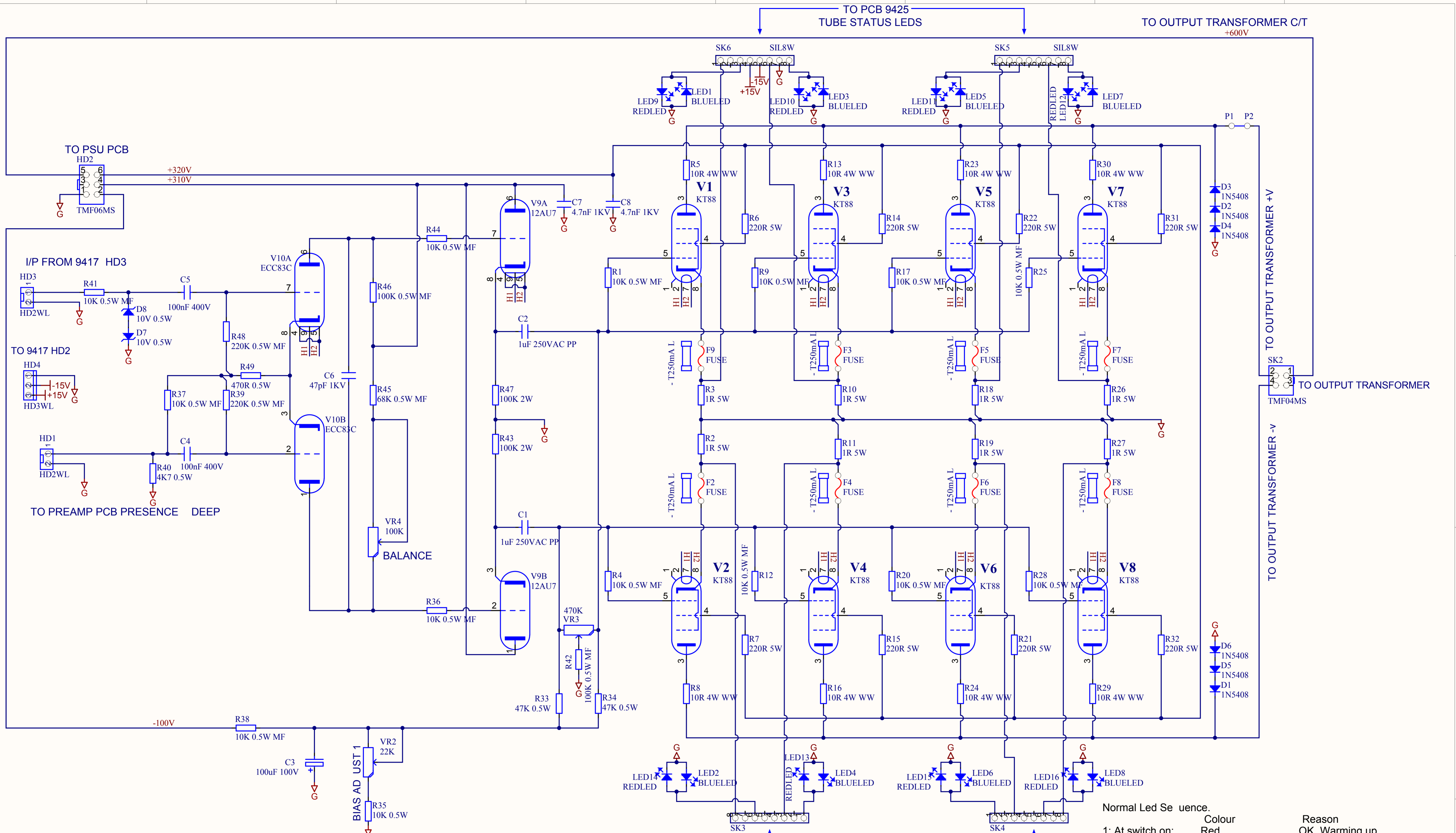


Title: <b>NXT PSU Board</b>		
Size: A3	Number: 9420	Revision: 4
Date: 25/02/2008	Time: 09:56:00	Sheet 1 of 1
Original File: 9420.SchDoc		

Steelpark Road  
Coombs Wood  
Industrial Estate West  
Halesowen  
UK  
www.laney.co.uk





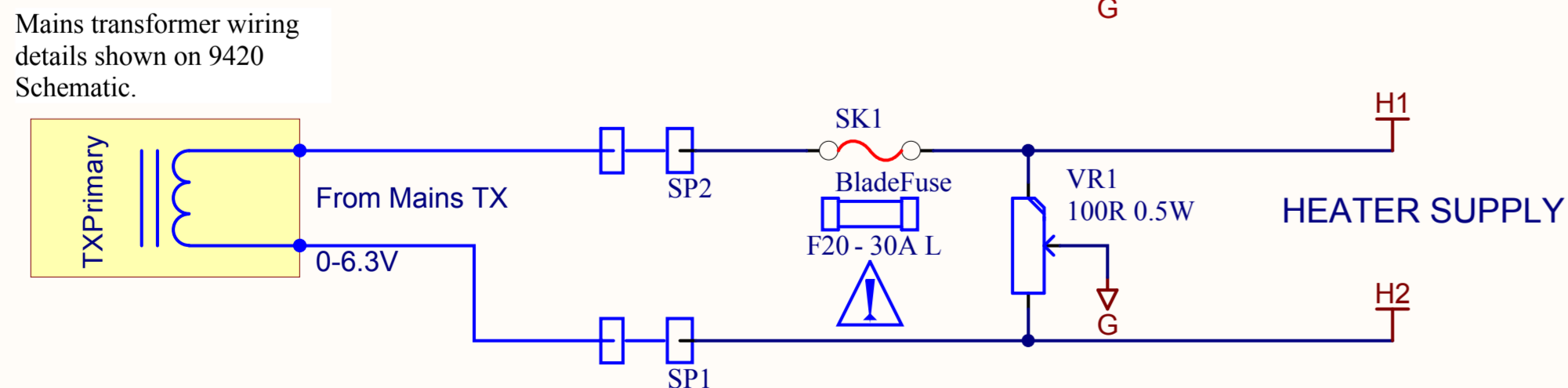
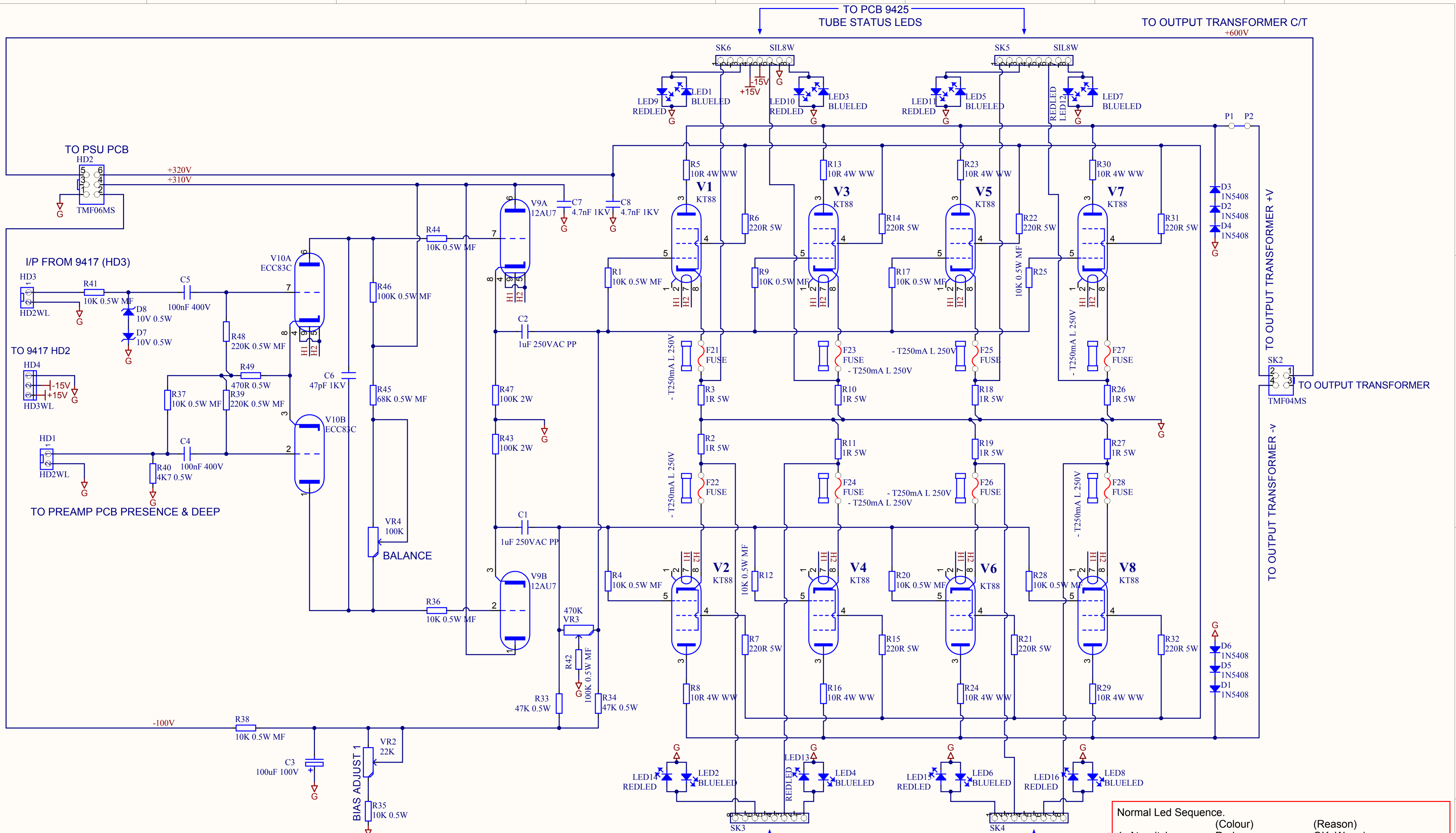


Normal Led Sequence.		
	Colour	Reason
1: At switch on:	Red	OK Warming up
2: After warm up:	Off	OK No Signal
3: Signal present:	Flashing Blue	OK Signal Present
Fault Conditions.		
1: After warm up:	Red	Faulty tube and/or fuse failure: If all tubes bias may be wrongly set
2: After warm up:	Blue	Faulty tube If all tubes bias may be wrongly set

- All capacitors to be 100V minimum rating unless stated otherwise
- Flame proof resistor  
Must only be replaced with same type and rating
- Indicates safety critical component  
Must only be replaced with approved type

Title: <b>NXT Main Tube Output PCB</b>			Steelpark Road Coombs Wood Industrial Estate West Halesowen UK <a href="http://www.laney.co.uk">www.laney.co.uk</a>
Size: A3	Number: 9418	Revision: 3	
Date: 16/01/2007	Time: 16:47:27	Sheet 1 of 1	
Original File: 9418.SchDoc			



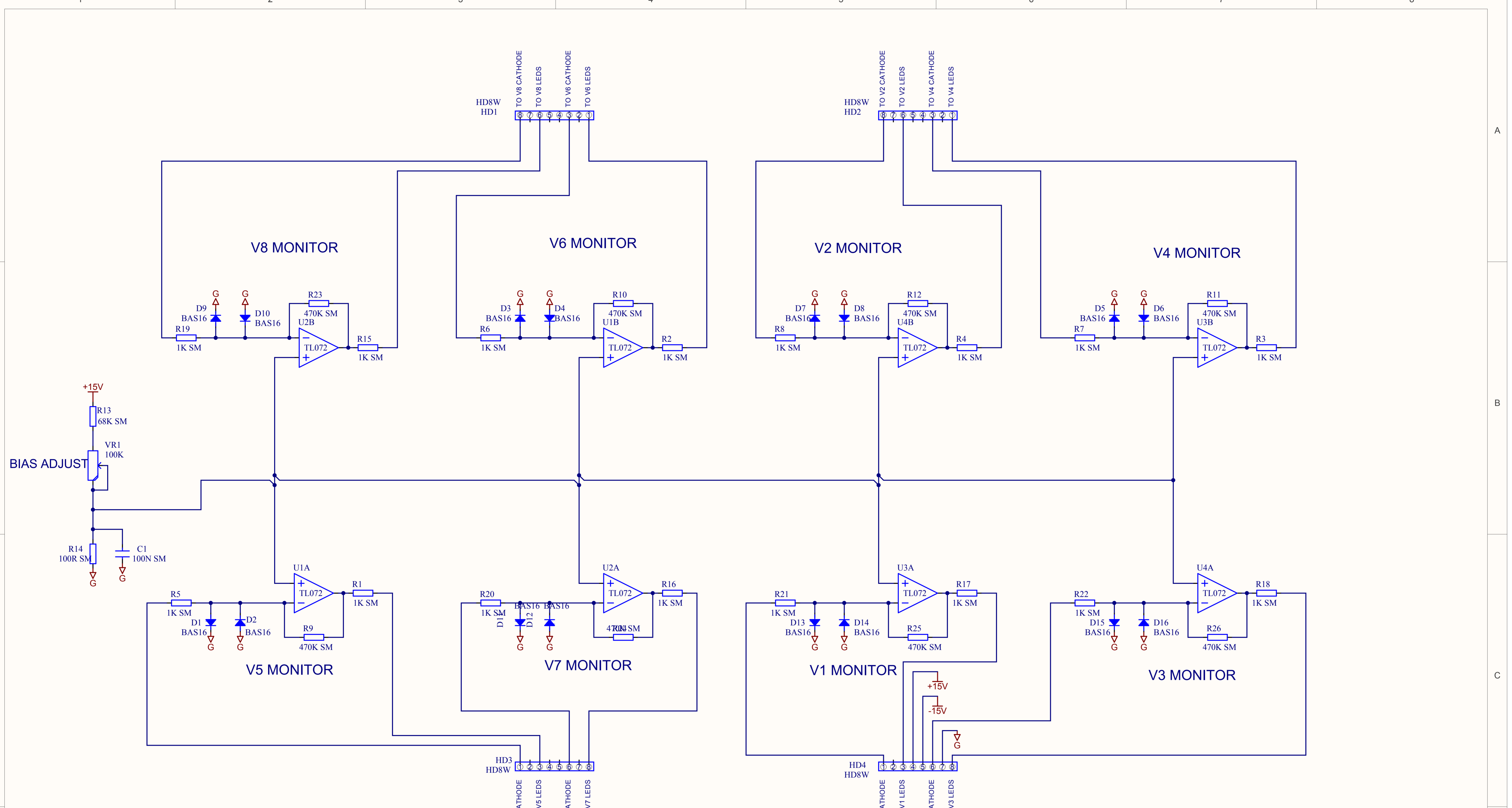


Normal Led Sequence.			
	(Colour)	(Reason)	
1:	At switch on:	Red	OK, Warming up
2:	After warm up:	Off	OK, No Signal
3:	Signal present:	Flashing Blue	OK, Signal Present
Fault Conditions.			
1:	After warm up:	Red	Faulty tube and/or fuse failure: (If all tubes, bias may be wrongly set)
2:	After warm up:	Blue	Faulty tube (If all tubes, bias may be wrongly set)

- All capacitors to be 100V minimum rating unless stated otherwise
- Flame proof resistor  
Must only be replaced with same type and rating
- Indicates safety critical component  
Must only be replaced with approved type

Title: **NXT Main Tube Output PCB**  
 Size: A3 Number: 9418 Revision: 3  
 Date: 20/02/2008 Time: 14:31:09 Sheet 1 of 1  
 Original File: 9418.SchDoc

Steelpark Road  
 Coombs Wood  
 Industrial Estate West  
 Halesowen  
 UK  
[www.laney.co.uk](http://www.laney.co.uk)

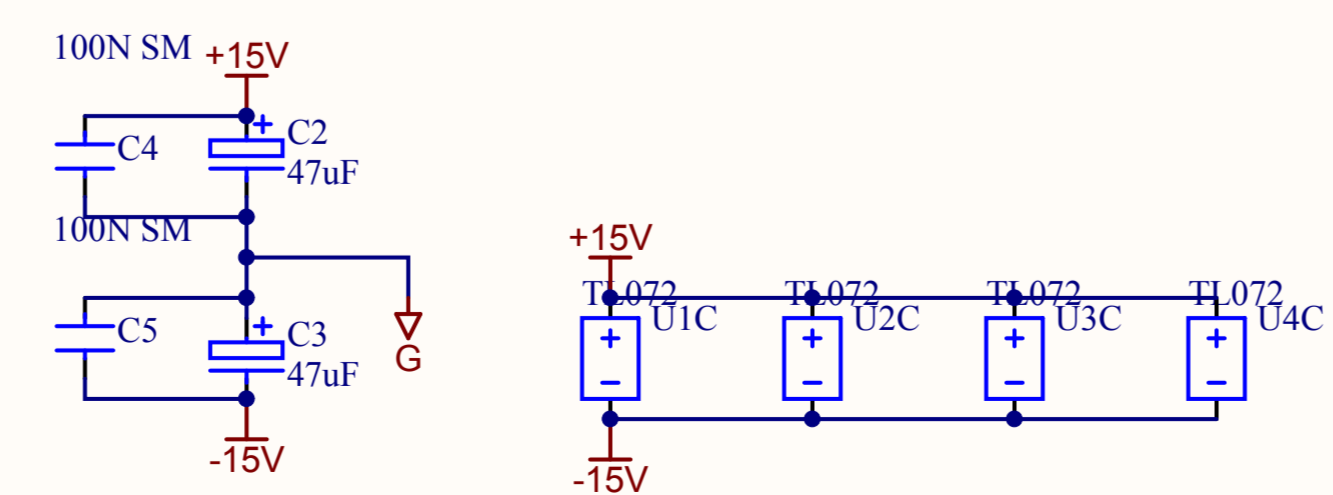


Normal Led Sequence.  
 1: At switch on: Red  
 2: After warm up: Off  
 3: Signal present: Flashing Blue

Fault Conditions.  
 1: After warm up: Red - Faulty tube and/or fuse failure:  
 (If all tubes, bias may be wrongly set)  
 2: After warm up: Blue - Faulty tube  
 (If all tubes, bias may be wrongly set)

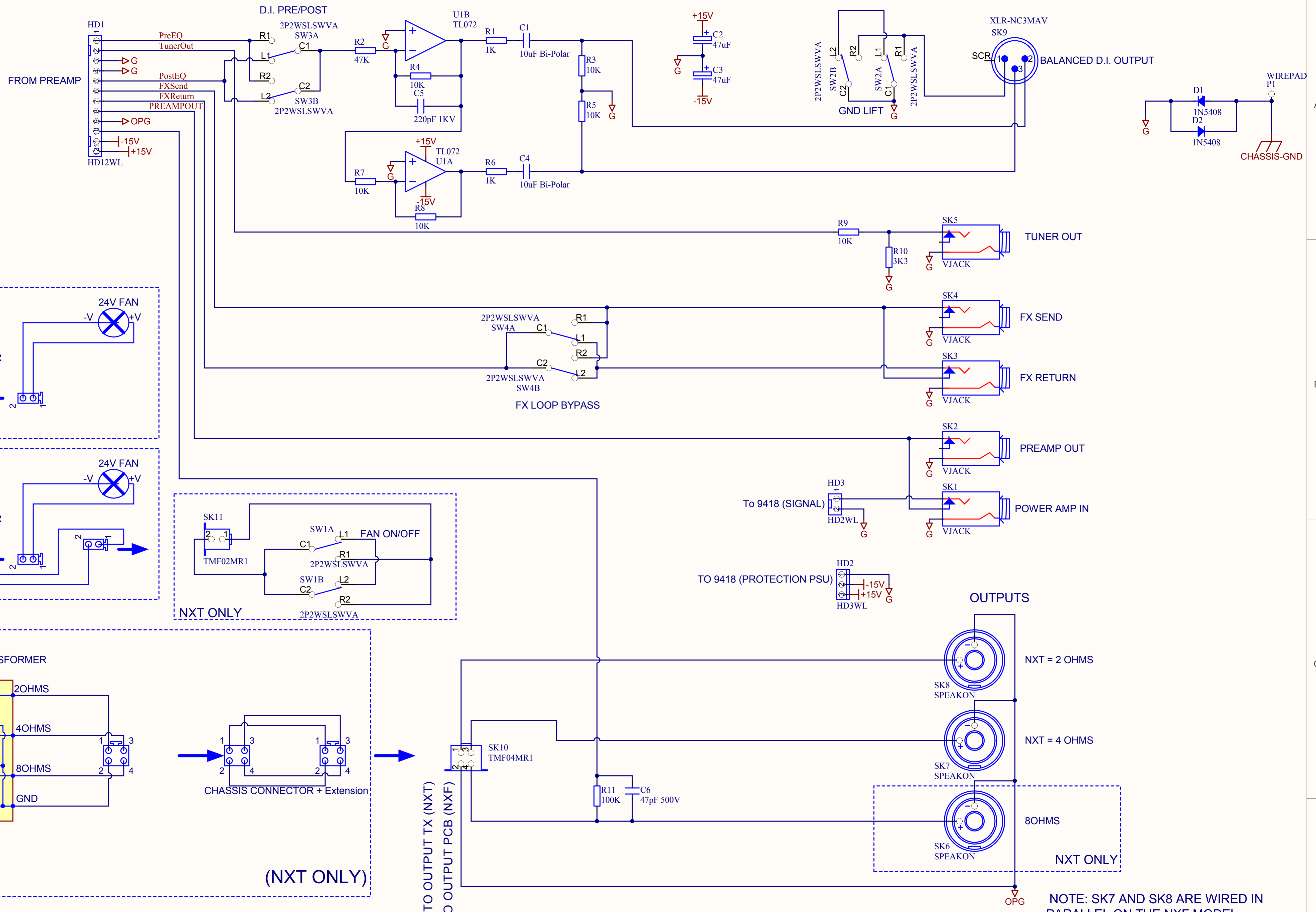
Flame proof resistor  
 Must only be replaced with same type and rating

Indicates safety critical component  
 Must only be replaced with approved type



Title: <b>NXT Tube Status Monitor</b>			<b>Steelpark Road</b> <b>Coombs Wood</b> <b>Industrial Estate West</b> <b>Halesowen</b> <b>UK</b> <a href="http://www.laney.co.uk">www.laney.co.uk</a>
Size: <b>A3</b>	Number: <b>9425</b>	Revision: <b>2</b>	
Date: <b>23/11/2007</b>	Time: <b>11:20:25</b>	Sheet <b>1</b> of <b>1</b>	
Original File: <b>9425.SchDoc</b>			





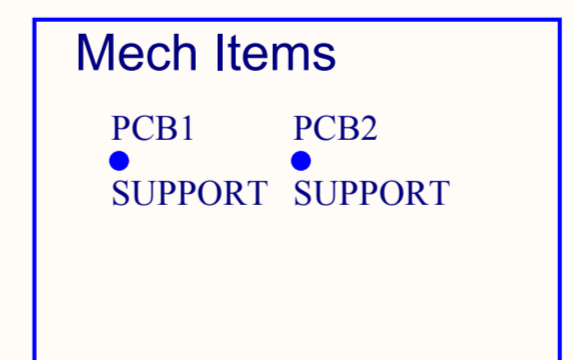
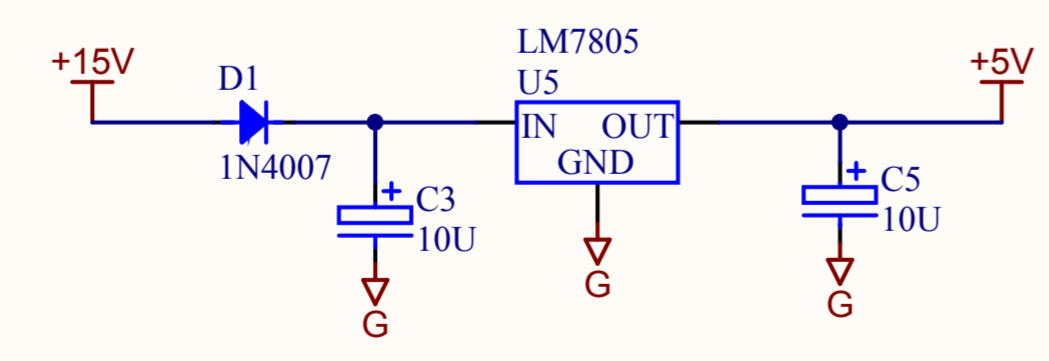
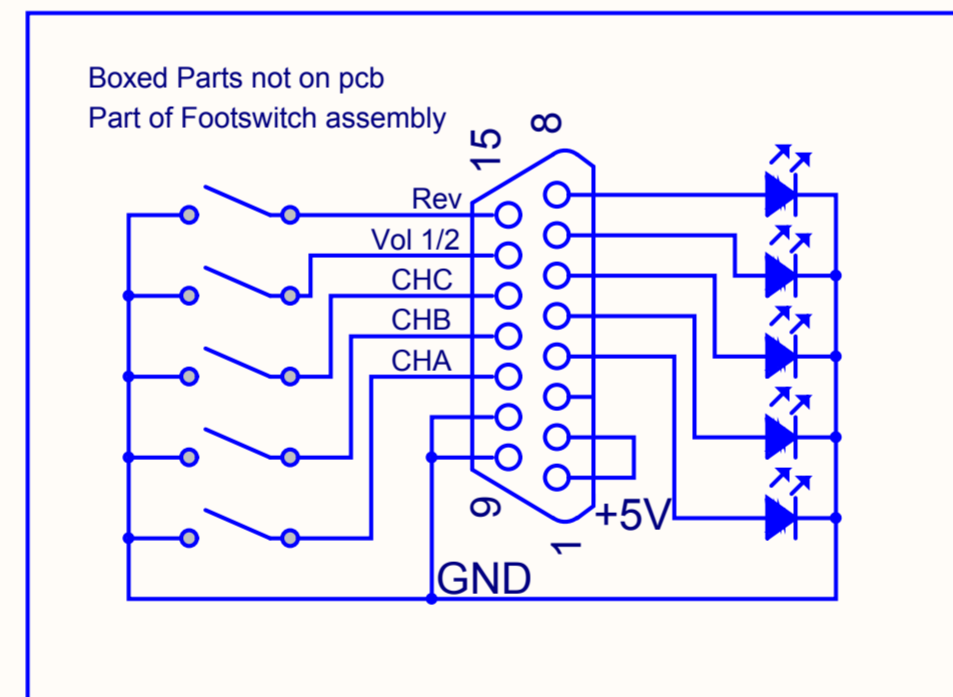
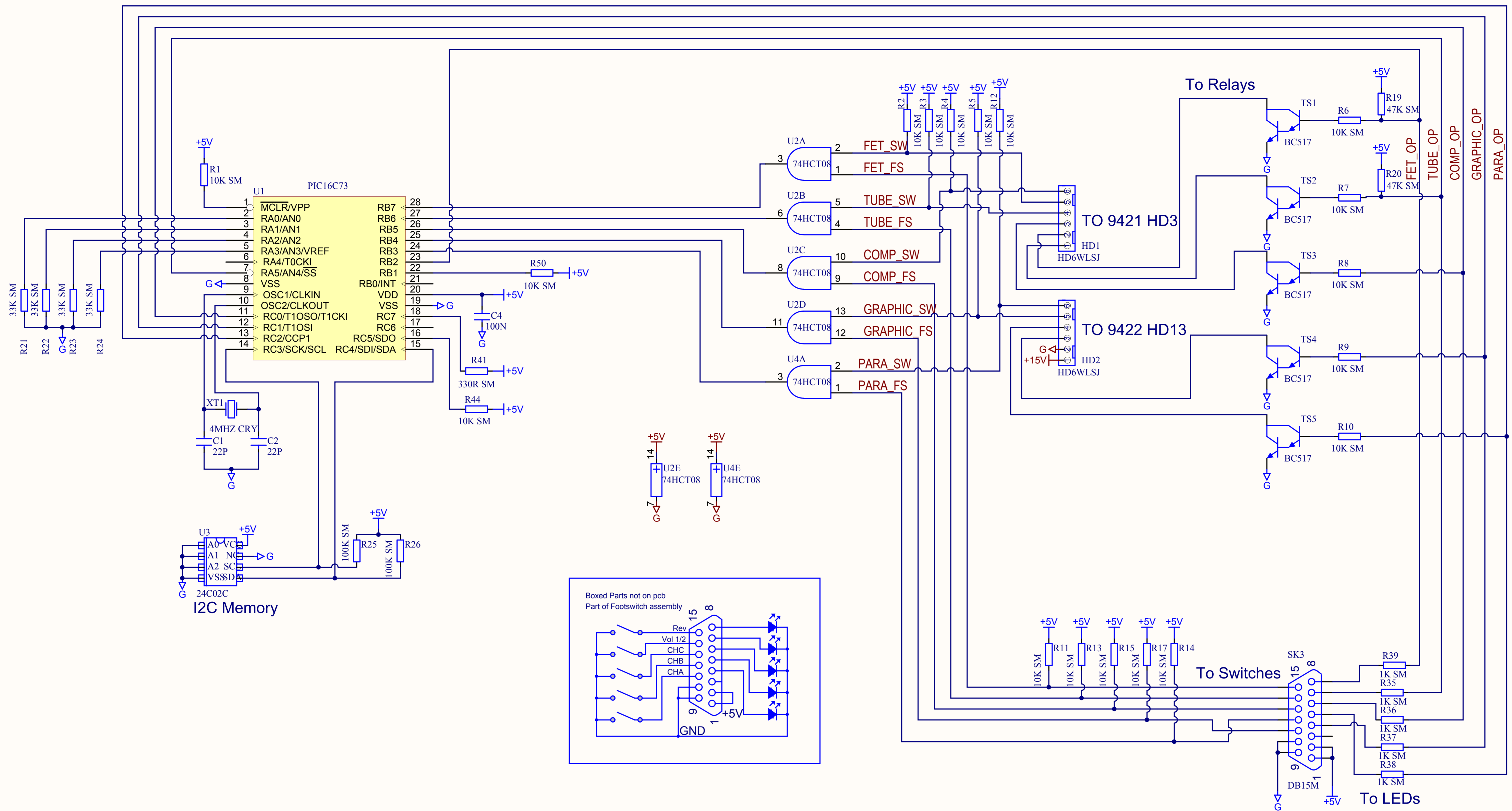
- All capacitors to be 100V minimum rating unless stated otherwise
- Flame proof resistor  
Must only be replaced with same type and rating
- Indicates safety critical component  
Must only be replaced with approved type



Title: <b>NXF/NXT Output Socket PCB</b>		
Size: A3	Number: 9417	Revision: 4
Date: 20/02/2008	Time: 11:59:42	Sheet 1 of 1
Original File: 9417.SchDoc		

Steelpark Road  
 Coombs Wood  
 Industrial Estate West  
 Halesowen  
 UK  
[www.laney.co.uk](http://www.laney.co.uk)



NOTE: SK7 AND SK8 ARE WIRED IN PARALLEL ON THE NXF MODEL. YOU MAY DRIVE THE AMP TO A MINIMUM OF 4 OHMS TOTAL IMPEDANCE ON THE NXF.



 Flame proof resistor  
 Must only be replaced with same type and rating  
 Indicates safety critical component  
 Must only be replaced with approved type

Title: Nexus Footswitch Controller		
Size: A3	Number: 9419	Revision: 3
Date: 20/02/2008	Time: 15:20:05	Sheet 1 of 1
Original File: 9419.Sch		

Steelpark Road  
 Coombs Wood  
 Industrial Estate West  
 Halesowen  
 UK  
[www.laney.co.uk](http://www.laney.co.uk)



Model No. NXT (Nexus Tube)						
SPARES ITEM		DESCRIPTION		PART No.		
Mains Transformer	100-230V	5600-6200 NXT Mains Transformer		006200		
Output Transformer		Output Transformer		006199		
Switch	Standby	DPST Black Rocker Switch		530027		
	Power 230V	DPST Double Width Red Illuminated Rocker Switch		007305		
	Power 100/120V	DPST Double Width Red Illuminated Rocker Switch		007435		
Resettable Trip	100-120V	Resettable Trip 10A		005325		
	230V	Resettable Trip 5A		007426		
	All	60 Degree Thermal Trip		007401		
PCB's	9417	Sockets	NXT Output PCB Complete (3 Socket)	007313		
			Tuner out, Fx Send/Return, Power Amp Out, Preamp In	6.3 Vertical Insulated Jack Skt	007374	
			D.I. Out	Male XLR Socket PCB Mount (NON-Chassis Gnd Type)	007375	
		Switch	Loudspeakers	Speakon Combi Connector	007376	
			Gnd Lift, Pre-Eq, Bypass, Fan	Vertical Slide Switch	007373	
			9421	Pots	NXT Input Preamp (Blue LED) PCB Complete	007300
	Fet Gain	22K Lin 6mm Spline			004061	
	Tube Gain	100K Log 6mm Spline			004062	
	Tube Level	100K Log 6mm Spline			004062	
	Compressor	100K Lin 6mm Spline			004071	
	Switch	Deep		100K Lin 6mm Spline	004071	
		Pot Bracket			005127	
		Sub		2P2W Illuminated Latching Push Switch (Blue)	007371	
		Pad				
		Compressor On		2P2W Illuminated NON-Latching Push Switch (Blue)	007372	
	Socket	Input	6.3 Mono Jack Skt standoff type	005097		
		Safety	Resistor 10R 4W	007395		
	9422	Pots	NXT Tube Preamp (Blue LED) PCB Complete	007299		
			Bass	22K Lin Centre Detent 6mm Spline	004099	
			Pot Bracket		005127	
			Treble	22K Lin Centre Detent 6mm Spline	004099	
			Lo-Mid Freq	100K Antilog 6mm Spline Dual	004075	
			Lo-Mid Level	22K Lin Centre Detent 6mm Spline	004099	
			Hi-Mid Freq	100K Antilog 6mm Spline Dual	004075	
			Hi-Mid Level	22K Lin Centre Detent 6mm Spline	004099	
		Switch	Presence	22K Lin Centre Detent 6mm Spline	004099	
			Pot Bracket		005127	
			Graphic On	2P2W Illuminated NON-Latching Push Switch (Blue)	007372	
			Paramid On			
			Safety	Resistor 22K 1W		001401
				Resistor 10K 5W		001714
	9423	Slider	NXT Graphic EQ (Blue LED) PCB Complete	007304		
			B10K Illuminated Slider NXT (Blue LED)	007398		
9433	Safety	NXF/NXT Voltage selction PCB Complete	007302			
		100-120V	T10A fuse 20mm	540023		
		230V	T5A fuse 20mm	005531		
		100-120V	Surge Guard SG26 (Rhopoint)	003032		
		230V	Surge Guard SG40 (Rhopoint)	003031		

PCB's	9418	Safety	NXT Output Tube PCB Complete	007314
			30A Blade Fuse (Green)	007397
			Resistor 10R 4W	007395
			T250mA Fuse 20mm	005528
	9420	Safety	NXT PSU PCB Complete	007298
			T2A Fuse 20mm	005526
			T1A Fuse 20mm	005530
			Surge Guard SCK20-10-8A	003031
			Capacitor 22uF 450V	007204
			Capacitor 100uF 450V	002032
			Capacitor 470uF 400V	007406
Resistor 10K 5W			001714	
Resistor 4K7 5W	001733			
1.6A Polyswitch MF-R160-0-99	007403			
9425		NXT Tube Status Monitor PCB Complete	007316	
9419		NXF/NXT footswitch Microcontroller PCB Complete	007315	
9434		NXF/NXT Master Volume Suport PCB Complete	007303	
Badge		Diecast Laney Badge (116mm)	007188	
		Badge Support Brkt	007296	
Control Knob	Small	14mm Knurled Knob with Pointer	007309-F	
	Large	28mm Knurled Knob with Pointer	007310-F	
	Push Switch	Cap for Illuminated Push Switch	007311-F	
Mains Lead		Country Dependant		
Mains Inlet Socket	100-120V	EMI Filtered Mains Inlet 6A	005323	
	230V	EMI Filtered Mains Inlet 3A	005319	
Foot Switch		FS7 Footswitch	007321	
		Footswitch Lead 15 Pin "D" Type	005088	
Cabinet	Cabinet	Covered Carcass only (No Fittings)	007283	
	Grill	Top Grill	007284	
		Rear Grill	007285	
	Handle	Bar Handle - Steel/Plastic - Top 90°	007262	
	Feet	25mm high 38mm round rubber feet	007250	
	Corner	Black non-hooked metal type	007035	
Manual		NXT User Manual	007337	
Tubes	Tube	ECC83 Std	005548	
		ECC83 Hi Grade	005570	
		KT88 Output Tube	007318	
		12BH7 Driver Tube	007319	
		Retainer	ECC83 Small Clip	005027
	EL84 Tube Retainer Clip	005026		
	EL84 Wire & Ring	005575		
EL34 Retaining Clip	005549			
Fan		NXF/NXT 24V DC Fan With TMF02FC Connector	007343	
		80mm Chrome Finger Guard	005555	