

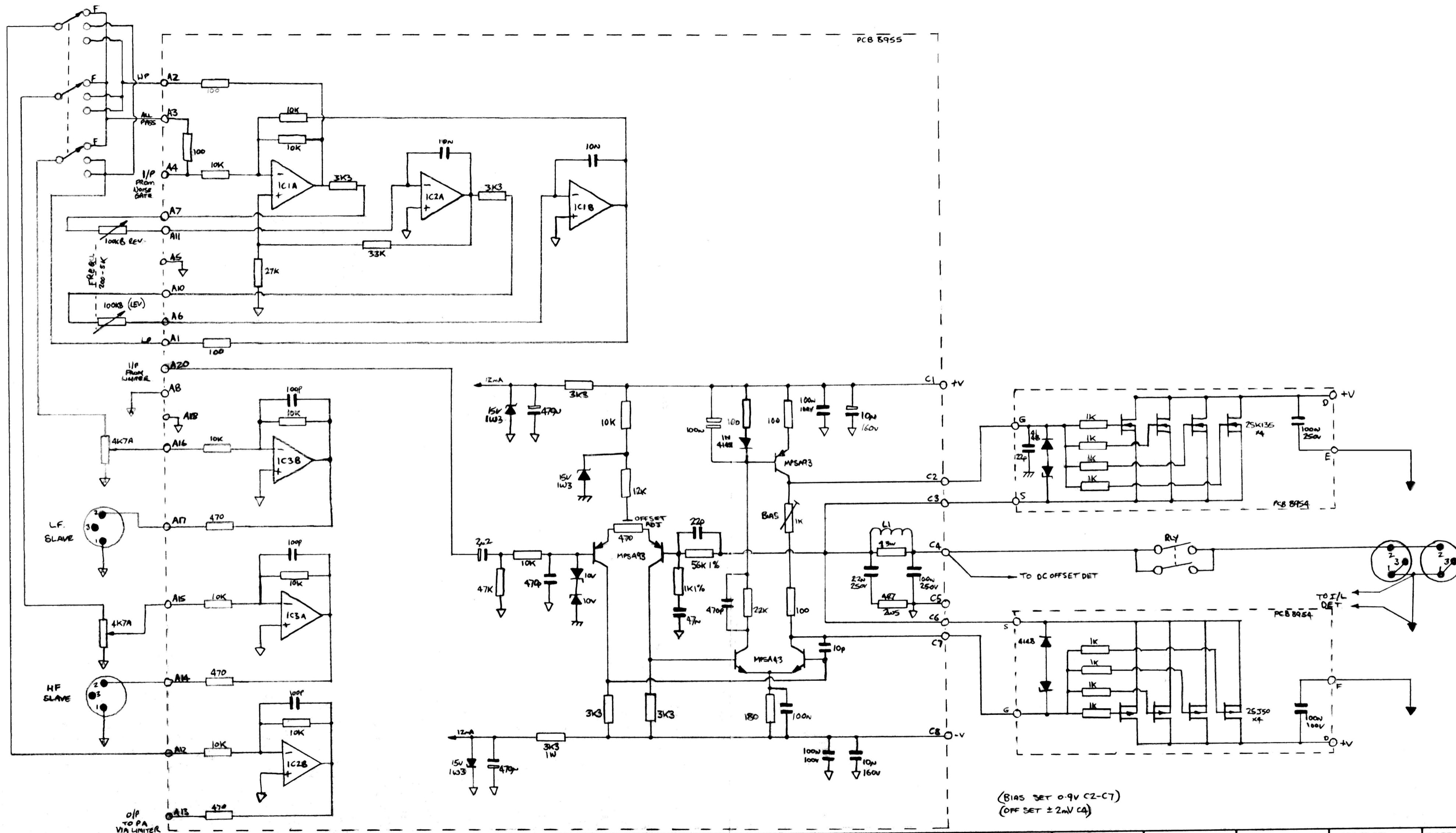
No.	DESCRIPTION	CHK'D	APP'D	DATE
ALTERATIONS				

LANEY AMPLIFICATION LTD.
CRADLEY HEATH, ENGLAND

PB400H PREAMP. MODULE CIRCUIT

DRAWN	TRACED	CHECKED	APPROVED	DATE	SCALE
				11/12/85	

DRAWING No. 1101



(BIAS SET 0.9V C2-C7)
(OFF SET ± 2mV CA)

ISSUE	DESCRIPTION	APPD.	DATE	TITLE	DRAWN	TRACED	CHECKED	APPROVED	DATE
				PB400H BIAMP & POWER STAGE	D.E.H.				22/8/85
					DRAWING No. SK1102				