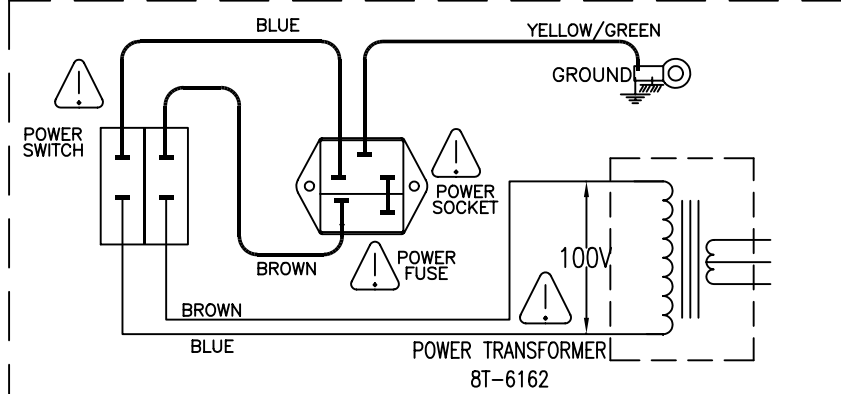
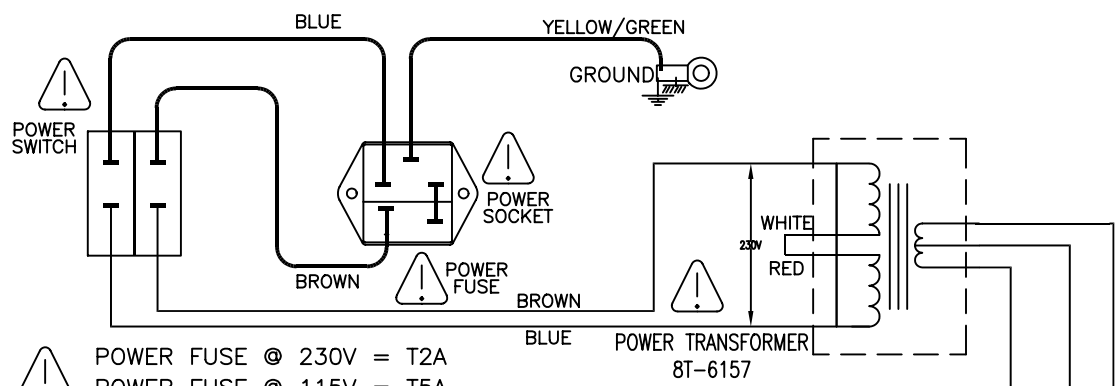


R3
Service
Information

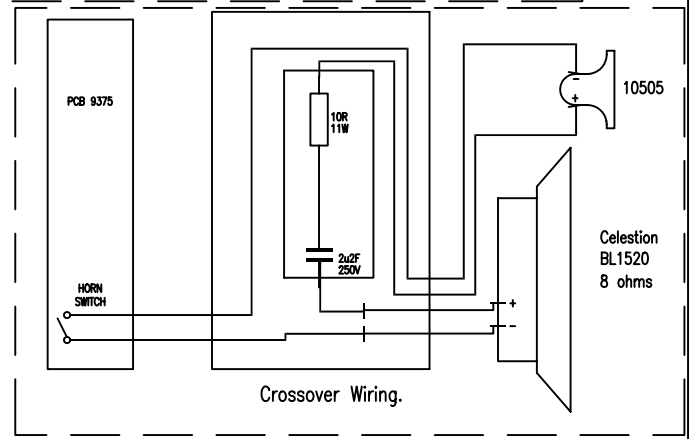
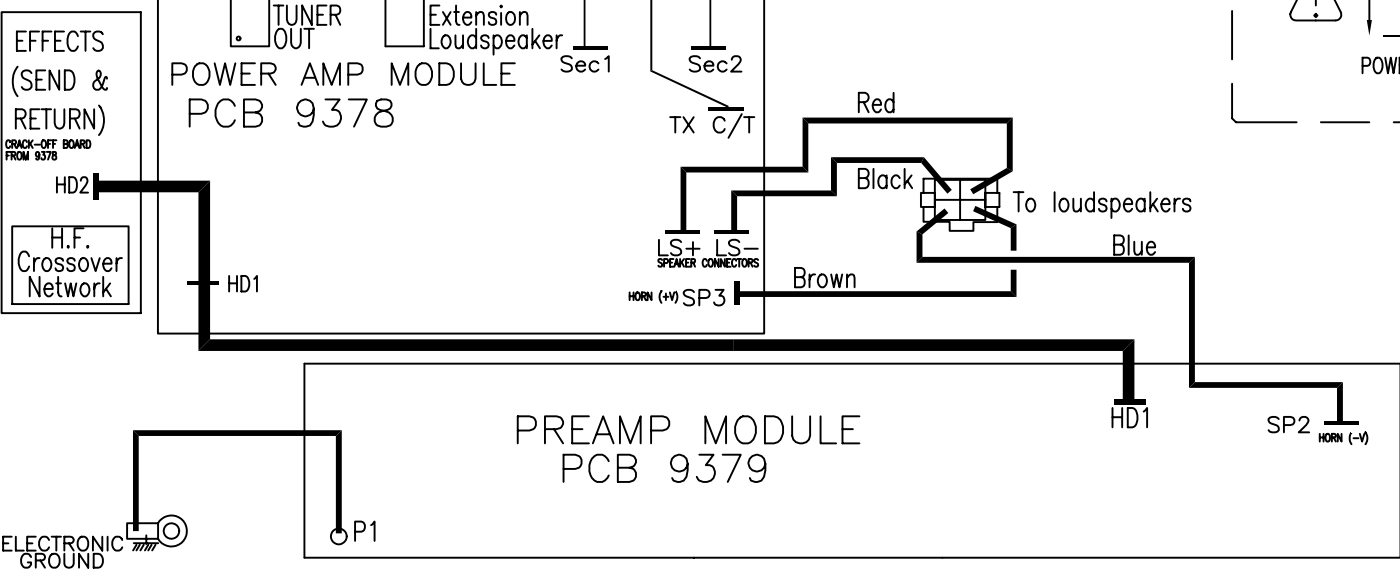
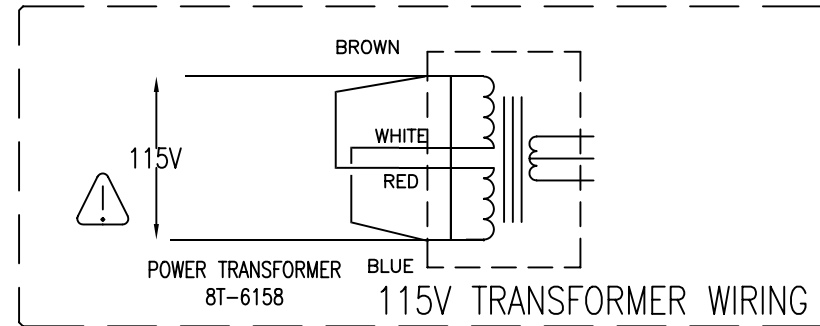
Laney
Classic British Amplification

Newlyn Road, Cradley Heath, West Midlands. B64 6BE
www.laney.co.uk



- ⚠ POWER FUSE @ 230V = T2A
- ⚠ POWER FUSE @ 115V = T5A
- ⚠ POWER TRANSFORMER @ 230V / 115V = 6158
- ⚠ POWER TRANSFORMER @ 100V = 6162

⚠ = ONLY REPLACE WITH SAME TYPE AND RATING

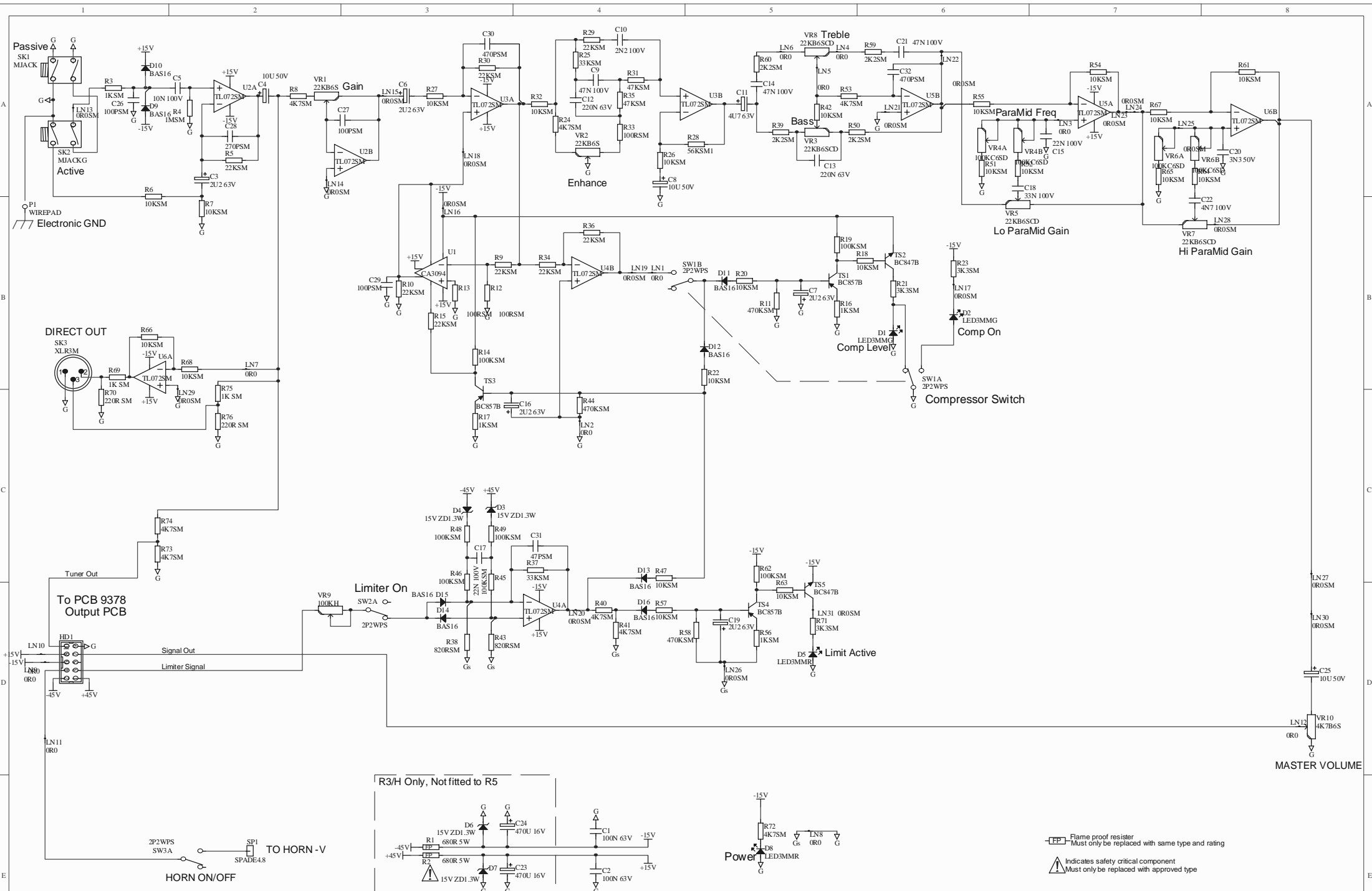


ISSUE	DESCRIPTION	APPD.	DATE

BLT
Industries Ltd.

TITLE
R3 SERVICE
DIAGRAM
PART No

DRAWN	TRACED	CHECKED	APPROVED	DATE
R.J.F				12/12/02
DRAWING No.		3384		

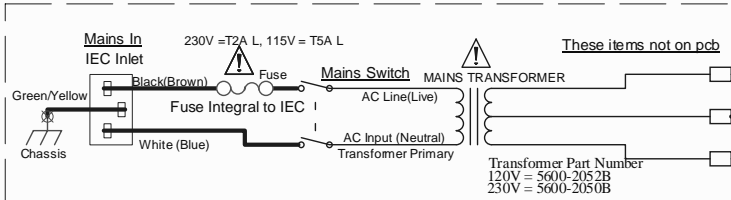
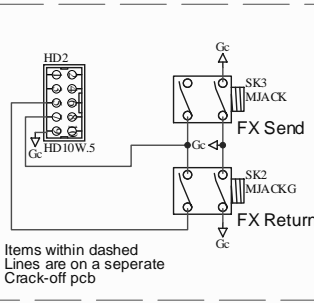
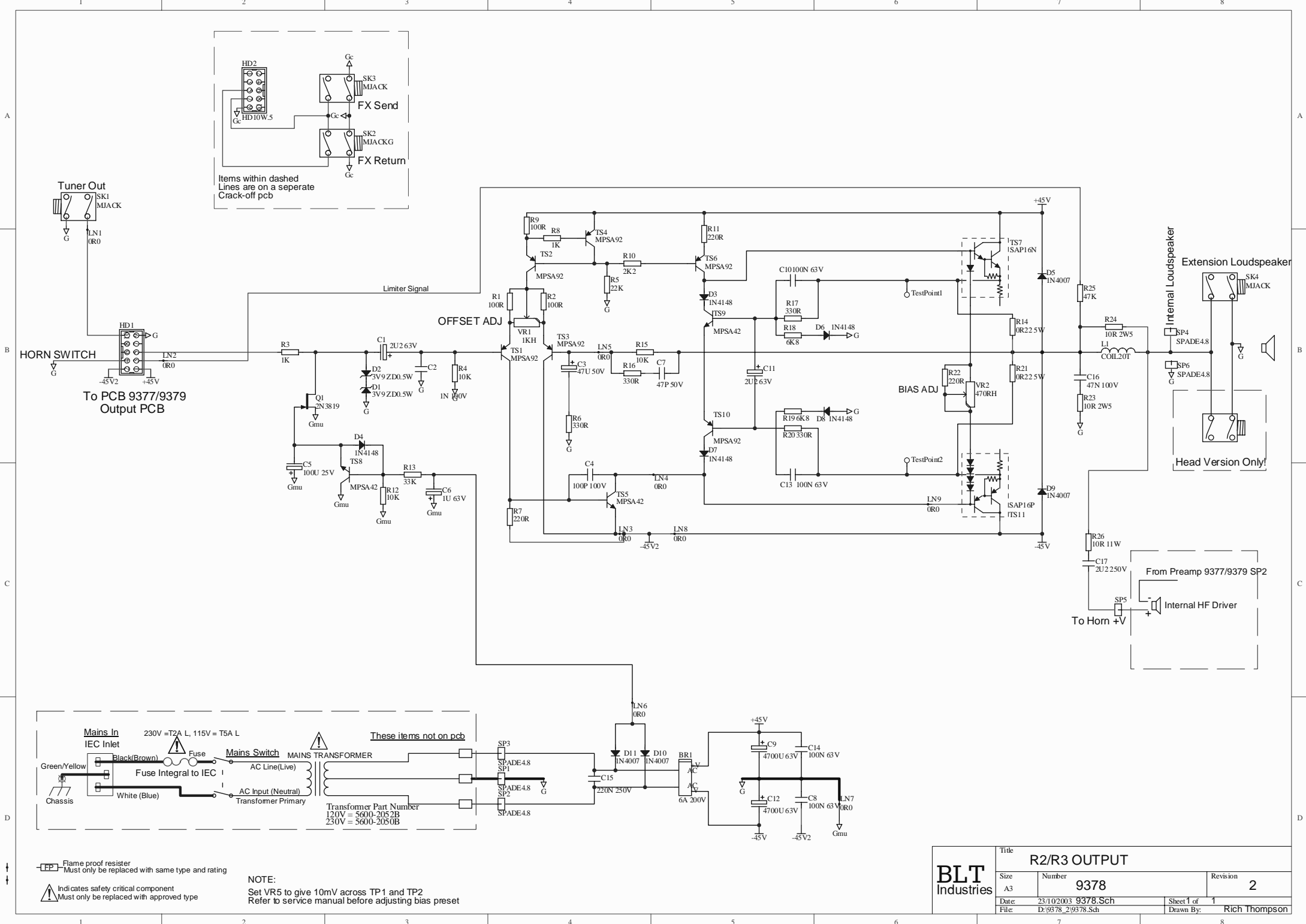


Flame proof resistor
 Must only be replaced with same type and rating
 Indicates safety critical component
 Must only be replaced with approved type

Revision History	
- R70, R76 From 820r to 220r	See CN0337
- R69, R75 from 470r to 1K	

BLT Industries

Title			
R3/R5 Bass Preamp			
Size	Number	Revision	
A2	9379	2	
Date:	10/02/2004	9379 2_Sch	Sheet 1 of 1
File:	D:\Work-in-Progress\...9379 2_Sch	Drawn By: Rich Thompson	



Flame proof resistor
Must only be replaced with same type and rating

Indicates safety critical component
Must only be replaced with approved type

NOTE:
Set VR5 to give 10mV across TP1 and TP2
Refer to service manual before adjusting bias preset

		Title R2/R3 OUTPUT	
		Size A3	Number 9378
Date: 23/10/2003 9378.Sch	Revision 2	Sheet 1 of 1	Drawn By: Rich Thompson
File: D:\9378_2\9378.Sd1			

Product	Description	Quantity	Price
R3E	R3 RICHTER BASS COMBO 165W-230V		
-540021	20mm T3.15A FUSE	1.0000	
-10702	SPECIAL MAINS LEAD	1.0000	
-10969	R SERIES USER MANUAL	1.0000	
-008456	R3 CHASSIS ASSY 230/	1.0000	
-005005	NEW TYPE MAINS SOCKET	1.0000	
-005114	R1/2/3 - IDC CABLE A	1.0000	
-005124	TAICOM TMF04MC 4PIN	1.0000	
-005511	5MM SOLDER TAG	2.0000	
-005558	100mm TIE WRAP	4.0000	
-005665/C	12mm KNOB C/P	9.0000	
-006123	115V/230V MAINS TRANS	1.0000	1
-008322	LABEL VOLTAGE SELEC	1.0000	
-008457	R3 PREAMP PCB ASSY	1.0000	
-001300	ORO SHORTING LINK	19.0000	
-001303	100R 5% RESISTOR	3.0000	
-001304	820R 5% RESISTOR	3.0000	
-001305	2K2 5% RESISTOR	2.0000	
-001306	10K 5% RESISTOR	22.0000	
-001309	1M 5% RESISTOR	22.0000	
-001310	100K 5% RESISTOR	7.0000	
-001311	470R 5% RESISTOR	3.0000	
-001312	4K7 5% RESISTOR	9.0000	
-001315	47K 5% RESISTOR	2.0000	
-001316	22K 5% RESISTOR	6.0000	
-001319	15K 5% RESISTOR	1.0000	
-001326	3K3 5% RESISTOR	3.0000	
-001327	1K 5% RESISTOR	6.0000	
-001331	33K 5% RESISTOR	1.0000	
-001336	470K 5% RESISTOR	3.0000	
-001705	680R 5W RESISTOR	2.0000	
-001920	ZERO OHM RESISTOR	7.0000	
-001923	56KSM 1206 1% RESIST	1.0000	
-002013	10UF 50V CAPACITOR	3.0000	
-002020	470UF 16V RADIAL	2.0000	
-002024	2.2UF 63V RADIAL	5.0000	
-002027	4.7UF 63V RADIAL	1.0000	
-002037	220N 5MM BOX POLY CA	2.0000	
-002415	2.2NF 100V 5mm	1.0000	
-002416	3.3NF 50V 5mm	1.0000	
-002417	4.7NF 100V 5mm	1.0000	
-002419	100NF 63V 5mm	2.0000	
-002420	22NF 100V 5mm	2.0000	
-002421	10NF 100V 5mm	1.0000	
-002425	47NF 100V 5mm	1.0000	
-002426	15NF 100V 5mm	1.0000	
-002438	68N 5MM BOXED	2.0000	
-002602	47PF 50V 10% COG	1.0000	
-002603	100PF 50V 10% COG	3.0000	
-002604	270PF 50V 10% COG	1.0000	
-002605	470PF 50V 10% COG	2.0000	
-003014	15V 1.3W ZENER	4.0000	
-003022	3mm GREEN LED	3.0000	
-003033	3mm LED RED	1.0000	
-003500	BAS16 DIODE	8.0000	
-003503	BC847B TRANSISTOR	2.0000	
-003504	BC857B TRANSISTOR	3.0000	
-003508	34072 IC (SMD TL072)	5.0000	
-003916	CA3094E/CA3080E IC	1.0000	
-004029	100K HORIZ PRESET	1.0000	
-004061	6mm 22K LIN POT	2.0000	
-004072	6mm 4K7 LIN POT	1.0000	
-004075	6mm 100KC DUAL POT	2.0000	
-004099	22K LIN POT	4.0000	
-005002	MONO JACK SOCKET	1.0000	
-005017	2P 2W PUSH SWITCH	3.0000	
-005079	IDC PCB PLUG 10-WAY	1.0000	
-005096	MONO JACK SOCKET-GOL	1.0000	
-005503	7.5mm ROUND BLACK BU	3.0000	
-005624	XLR SKT MALE 90DEG	1.0000	
-005686	4.8MM TERMINAL SPADE	1.0000	
-009379	R3/R5 BASS PREAMP PC	1.0000	
-008455	R2/R3 OUTPUT PCB ASS	1.0000	
-001003	1K .25W RESISTOR	2.0000	
-001005	2K2 .25W RESISTOR	1.0000	
-002419	100NF 63V 5mm	4.0000	
-001007	6K8 .25W RESISTOR	2.0000	
-001008	100K .25W RESISTOR	1.0000	
-001009	220R .25W RESISTOR	3.0000	
-001013	22K .25W RESISTOR	3.0000	
-001014	10K .25W RESISTOR	3.0000	
-001016	33K .25W RESISTOR	1.0000	
-001020	470R .25W RESISTOR	3.0000	
-001021	100R .25W RESISTOR	3.0000	
-001500	10R 2.5W RESISTOR	2.0000	
-001718	10R 11W CEMENT 5%	1.0000	
-001920	ZERO OHM RESISTOR	8.0000	
-002004	47UF 50V RADIAL	1.0000	
-002006	4700UF 63V RADIAL	2.0000	
-002014	100UF 35V RADIAL	1.0000	
-002024	2.2UF 63V RADIAL	2.0000	
-002025	1UF 63V RADIAL	1.0000	
-002402	220NF 250V 15MM DIPE	1.0000	
-002414	1NF 100V 5mm	1.0000	
-002415	2.2NF 100V 5mm	1.0000	
-002419	100NF 63V 5mm	4.0000	
-002425	47NF 100V 5mm	1.0000	
-002431	2.2UF 250V POLYESTER	1.0000	
-002800	47PF 50V CERAMIC	1.0000	
-002817	100PF 100V CERAMIC	1.0000	
-003000	1N4007 DIODE	4.0000	
-003006	1N4148 DIODE	5.0000	
-003007	3V9 .5W ZENER DIODE	2.0000	
-003016	6A 200V BRIDGE	1.0000	
-003409	2N3819 TRANSISTOR	1.0000	
-003411	MPSA42/43 TRANSISTOF	3.0000	
-003412	MPSA92/93 TRANSISTOF	6.0000	
-003807	SAP15N POWER DEVICE	1.0000	
-003808	SAP15P POWER DEVICE	1.0000	

Product	Description	Quantity
-004000	1K HORIZ PRESET	1.0000
-004010	470R HORIZ PRESET	1.0000
-005002	MONO JACK SOCKET	1.0000
-005097	MONO JACK SOCKET-HOF	2.0000
-005006	20 TURN COIL	1.0000
-005009	SINGLE TERMINAL PIN	2.0000
-005079	IDC PCB PLUG 10-WAY	1.0000
-005096	MONO JACK SOCKET-GOL	1.0000
-005686	4.8MM TERMINAL SPADE	4.0000
-8M-8877	65MM FINNED HEATSINK	2.0000
-009378	R2/R3 BASS 160W OUTF	1.0000
-009161	4mm INT. SHAKEPROOF	1.0000
-009171	M5 INT SHAKEPROOF WA	2.0000
-009173	5*12mm PAN POZI ZINC	1.0000
-009175	M6 HEX NUT ZINC ONLY	1.0000
-009181	5mm BRASS HEX NUT	1.0000
-009187	NO.8 SPIRE FASTENER	6.0000
-009204	NO 4*1/4 PLASTITE	2.0000
-009229	8*3/8 FH POZI	5.0000
-009233	POP RIVET 4*7	3.0000
-530027	DPST EQ MAINS SWITCH	1.0000
-540038	EARTH WARNING LABEL	1.0000
-541004	HC25/50 4.8 FASTON	9.0000
-586003	M8 * 60 COACH BOLT	1.0000
-586022	8MM FLAT TX WASHER 2	1.0000
-586023	8mm SHKPRF WASHER	1.0000
-588006	POP RIVET (BLACK)	2.0000
-8M-8872	R3 CHASSIS DWG.3346	1.0000
-8SP-8872	R3 PRINT COST	1.0000
20103	R3 CABINET	1.0000
-005126	TAICOM TMF04C 4PIN C	1.0000
-10039	CORNER PENN P/N.C183	4.0000
-10057	SMALL LANEY BADGE	1.0000
-10059	RUBBER CABINET FOOT	4.0000
-10157	PLASTIC STRAP HANDLE	1.0000
-10108	M1702 PORT HOLE	2.0000
-10200	M5 x 10mm TEENUT	6.0000
-10202	5MMx25MM CSK POZI SC	2.0000
-10204	5mm X 25mm PAN POZI	4.0000
-10207	NO.6 X 5/8" CSK POZI	4.0000
-10224	35mm FINISHED NAIL	40.0000
-10231	No8x1/2" FLANGE POZI	18.0000
-10240	10 * 1 CSK POZI	4.0000
-10243	NO4*1/2 TYPE B CSK	2.0000
-10244	FLAT SPIRE CLIP	2.0000
-10248	NO10 * 1 1/4" FLANGE	4.0000
-10301	18mm CHIPBOARD	0.4500
-10314	18mm MDF	0.1000
-10328	REPTILE BLACK	1.7500
-10474	R3 CARTON	1.0000
-10505	TLX-1 (TLC-1) TWEETE	1.0000
-10600	32/18 STAPLE	16.0000
-10622	POLY BAG 48(0) X 48	1.0000
-10982	GLUE/PAINT COST 2.00	1.0000
-51500	TRUVOX 1520 8 OHM	1.0000
-541004	HC25/50 4.8 FASTON	2.0000
-8G-R3	GRILL R3	1.0000
-79063	RICHTER MESH	0.1250
-8M-R3	R3 Grill	1.0000
-8PCG-R3	GRILL R3	1.0000
-8P-8733	RICHTER VENT	1.0000
-79003	ZINTEC SHEET/1Mx1Mx1	0.0230
-8PC-873	RBW100 VENT	1.0000
-8M-8733	Vent	1.0000