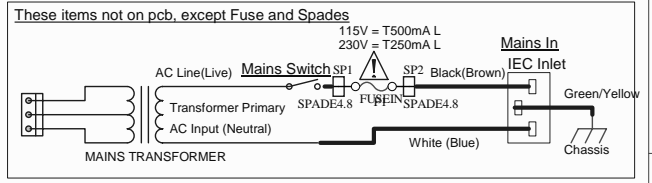
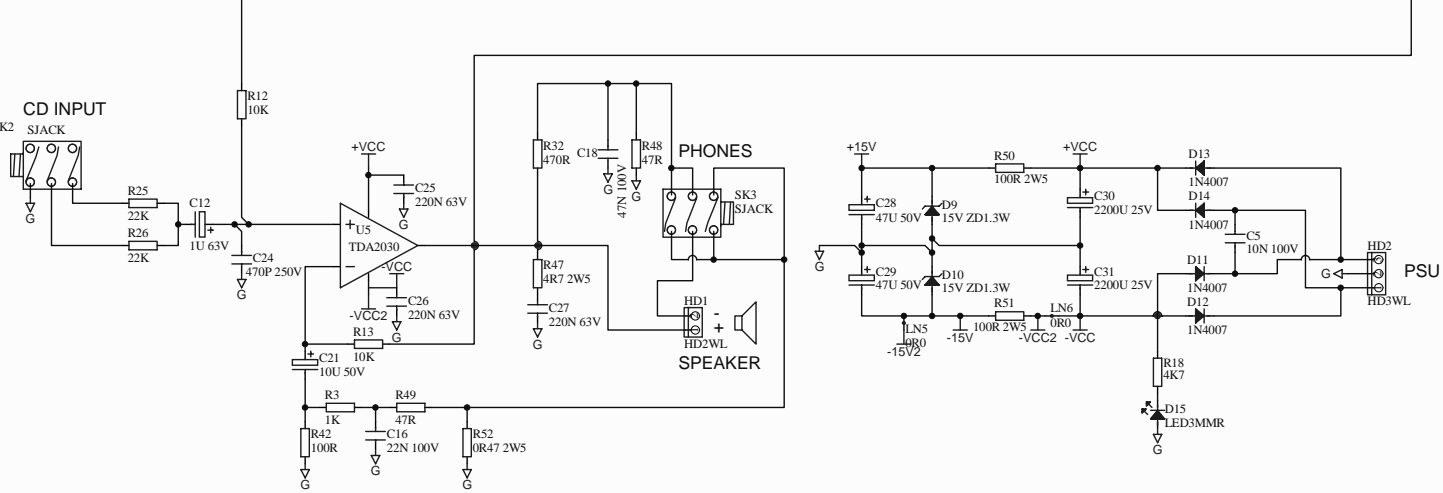
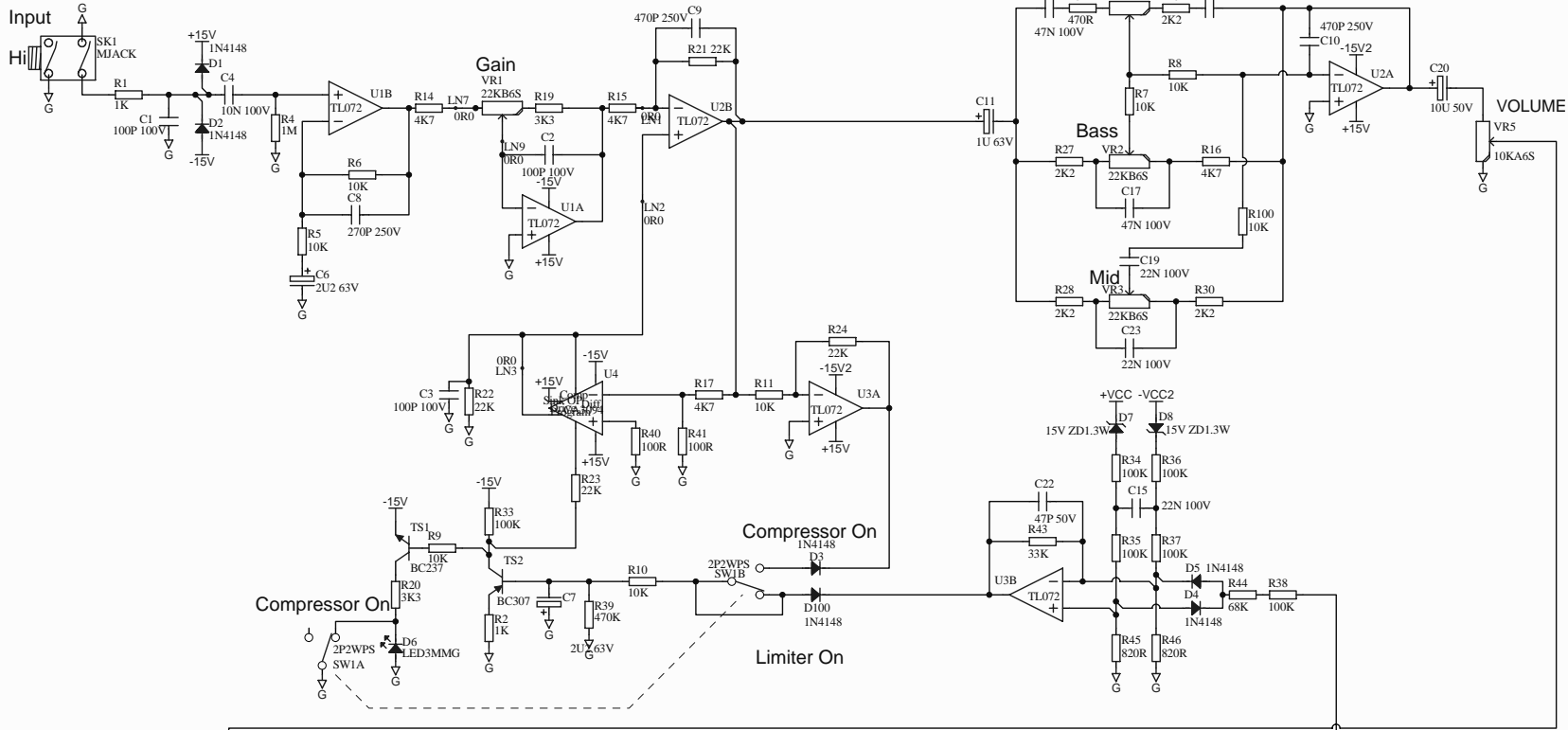


***RB1***

***Service Information***

**Laney**  
POWER TO THE MUSIC  
[www.laney.co.uk](http://www.laney.co.uk)



Flame proof resistor  
 Must only be replaced with same type and rating  
 Indicates safety critical component  
 Must only be replaced with approved type

Title: 15W BASS GUITAR AMPLIFIER		Steelpark Road		 POWER TO THE MUSIC
Size: A3	Number: 9359	Revision: 2	Coombs Wood	
Date: 17/05/2006	Time: 10:28:36	Sheet 1 of 1	Industrial Estate West	
Original File: 9359_2.sch			Halesowen	
			UK	
			www.laney.co.uk	

# RB1 SPARE PARTS LIST

# Laney

Model No. <b>RB1</b>
-------------------------

SPARES ITEM		DESCRIPTION	PART No.	
Mains Transformer	100V	5600-002110-L 15 W 100V Mains Transformer	006193	
	120V	5600-002109-L 15 W 120V Mains Transformer	006191	
	230V	5600-002108-L 15 W 230V Mains Transformer	006187	
Loudspeaker		8" 4 Ohm 15W Guitar / Bass (HYD200ZZ-2)	51015	
Switch	Power	SPST Mini Rocker Switch	005560	
Mains Fuse	100-120V	T500mA 20mm Spiral Wound	005566	
	220-240V	T250mA 20mm Spiral Wound	005528	
Corner	Front/Back	Black Non Hooked Type	007035	
Jack Sockets		1/4 Jack Socket Standoff Type - Mono	005097	
		1/4 Jack Socket Standoff Type - Stereo	005098	
PCB's	9359	15W Bass Guitar Amp PCB Complete	007008	
	Pots	VR1/2/3/4	22K Lin 6mm Spline	004061
		VR5	10K Log 6mm Spline	004114
	Switch	SW1	2P2W Push Switch	005017
Badge	1	Small Laney Badge	10057	
	2	Richter Badge	007160	
Control Knob		Small, Round Chrome -Deep Knurl	005650	
Handle		Black Strap Handle	10100	
Mains Inlet Socket		MSI Mains Inlet Socket	005540	
Mains Lead		Country Dependant		
Feet		Screw on Rubber Feet	10059	
Cabinet Minus Loudspeaker		Carcass minus L/Speaker RB1	007141	
Output / Safety Critical	1	TDA 2030 Audio Amp IC	007170	
Device	2	2200uF 25V Radial Capacitor	002003	
Manual		RB1 User Manual	007142	