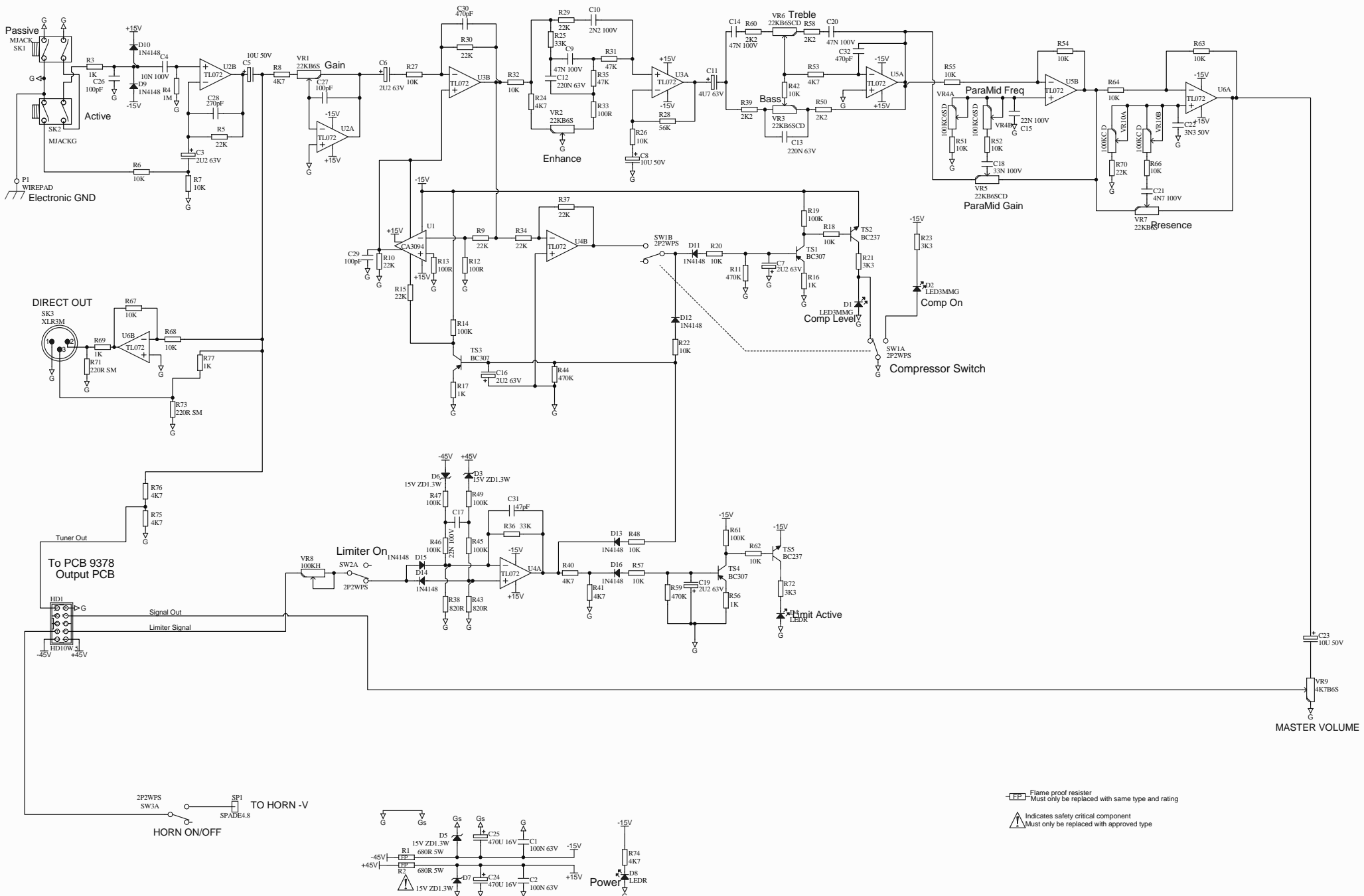


**RB7**

***Service Information***

**Laney**  
POWER TO THE MUSIC  
[www.laney.co.uk](http://www.laney.co.uk)

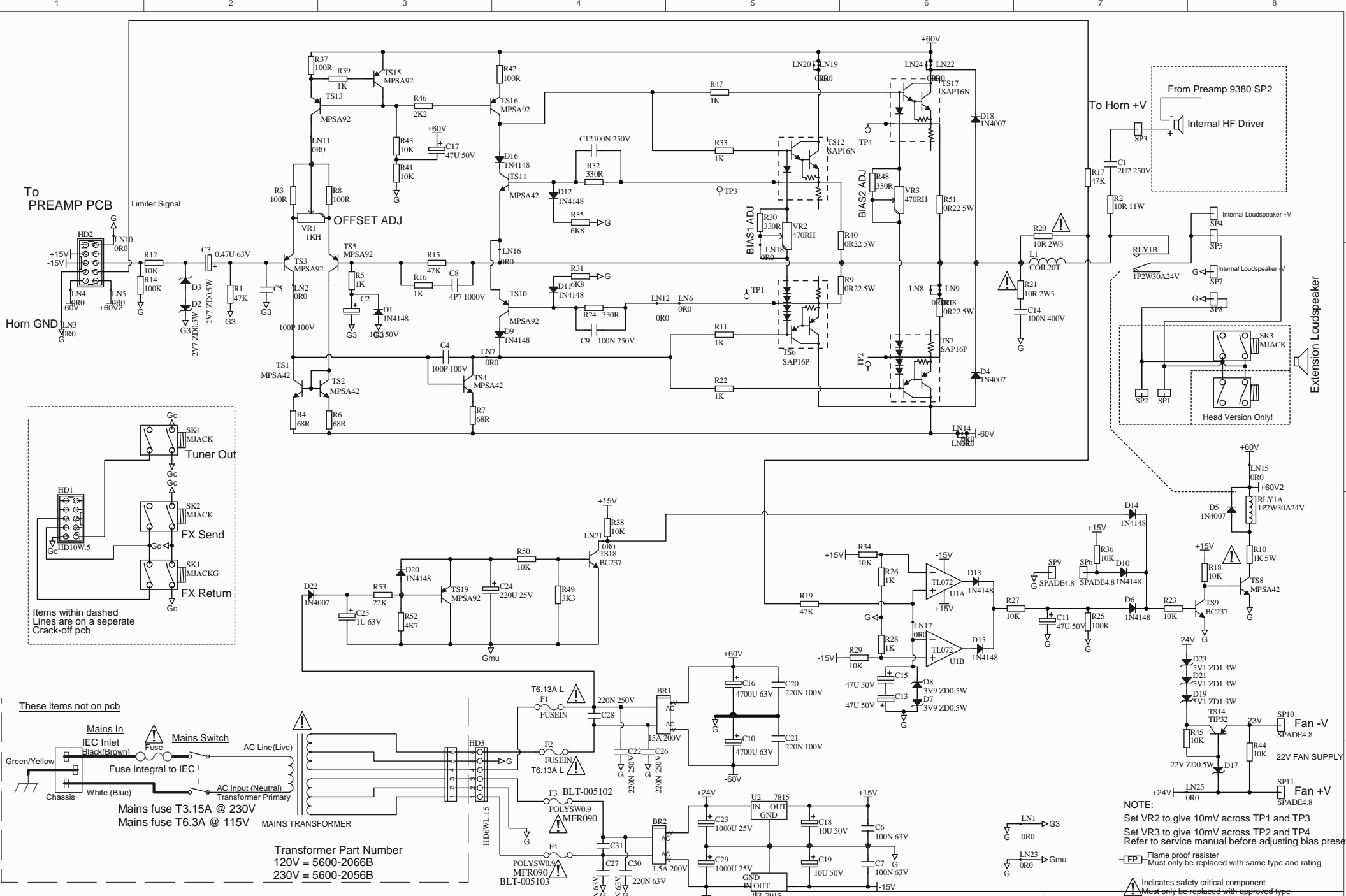


Flame proof resistor  
 Must only be replaced with same type and rating  
 Indicates safety critical component  
 Must only be replaced with approved type

Title: BASS PREAMPLIFIER		
Size: A3	Number: 9379	Revision: 3
Date: 17/05/2006	Time: 11:13:07	Sheet 1 of 1
Original File: 9379_3.Sch		

Steelpark Road  
 Coombs Wood  
 Industrial Estate West  
 Halesowen  
 UK  
[www.laney.co.uk](http://www.laney.co.uk)

**Laney**  
POWER TO THE MUSIC



To PREAMP PCB

Horn GND

Limiter Signal

OFFSET ADJ

BIAS1 ADJ

BIAS2 ADJ

To Horn +V

From Preamp 9380 SP2

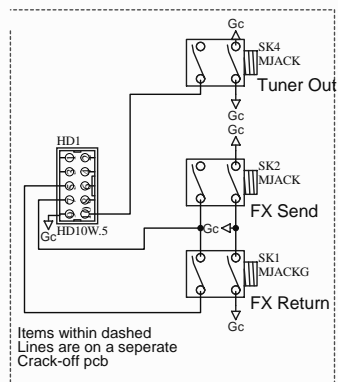
Internal HF Driver

Internal Loudspeaker +V

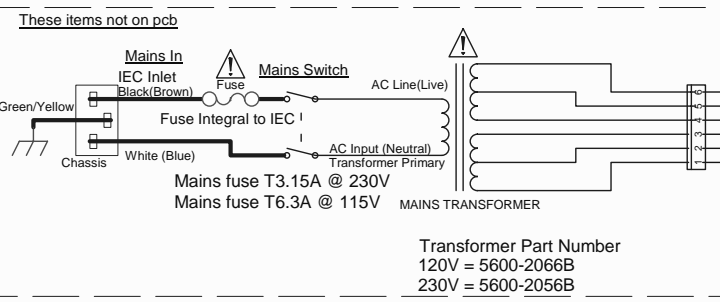
Internal Loudspeaker -V

Head Version Only!

Extension Loudspeaker



Items within dashed Lines are on a separate Crack-off pcb



These items not on pcb

Mains fuse T3.15A @ 230V  
Mains fuse T6.3A @ 115V

Transformer Part Number  
120V = 5600-2066B  
230V = 5600-2056B

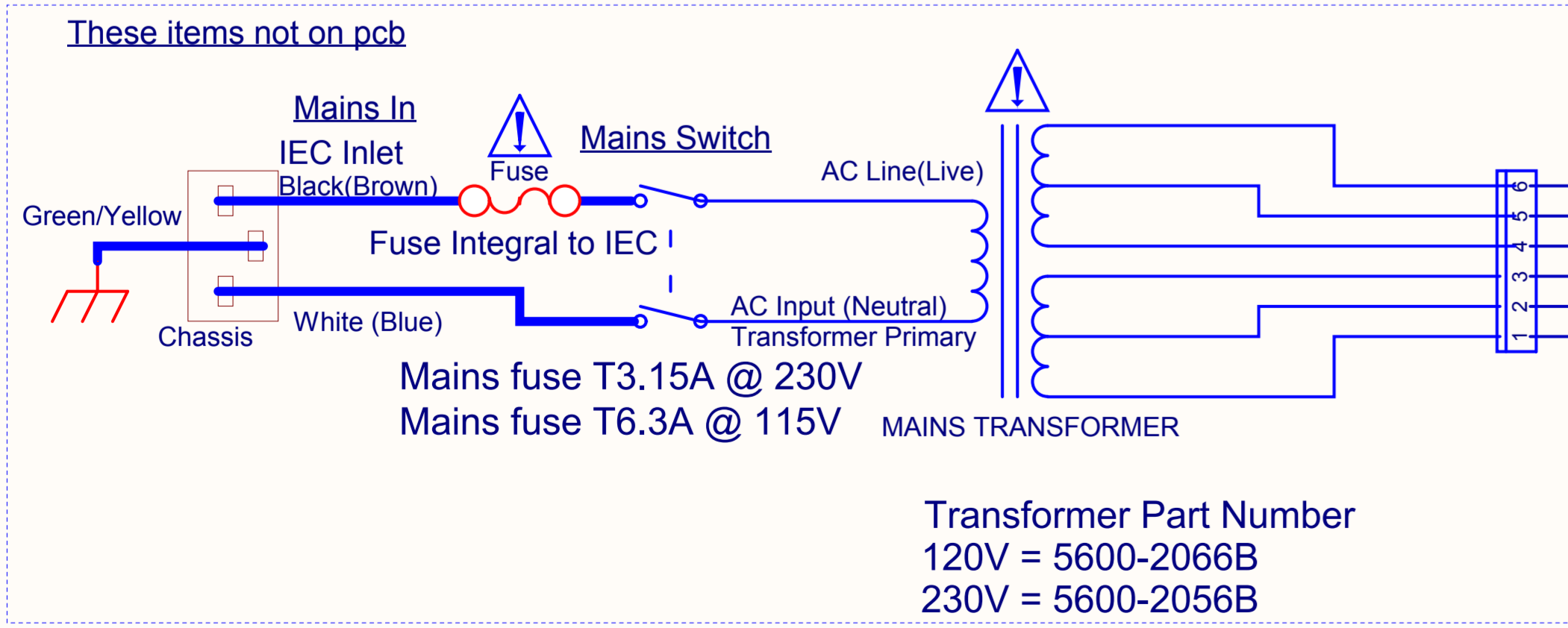
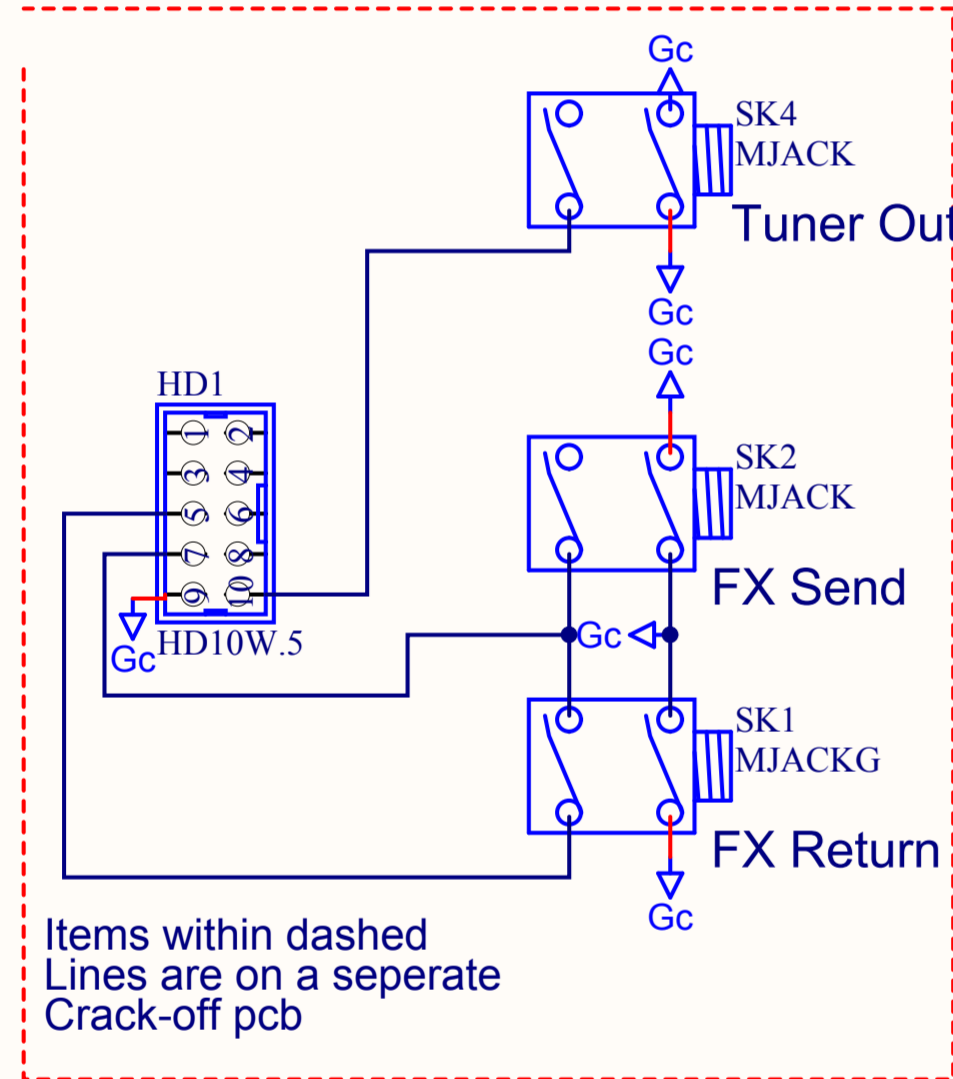
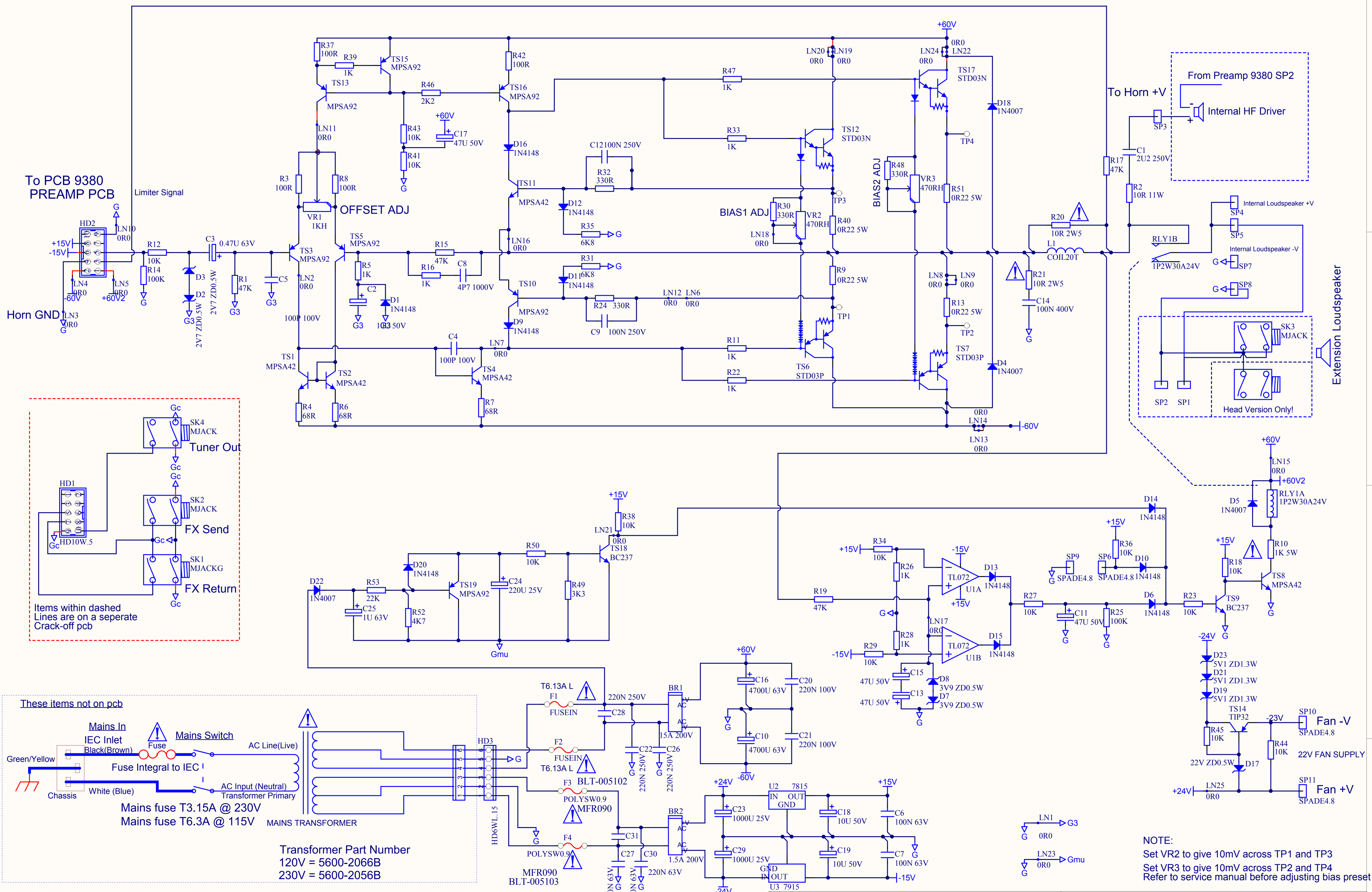
Title: 300W OUTPUT MODULE		
Size: A3	Number: 9381	Revision: 2
Date: 17/05/2006	Time: 11:16:23	Sheet 1 of 1
Original File: 9381_2.Sch		

Steelpark Road  
Coombs Wood  
Industrial Estate West  
Halesowen  
UK  
www.laney.co.uk



NOTE:  
Set VR2 to give 10mV across TP1 and TP3  
Set VR3 to give 10mV across TP2 and TP4  
Refer to service manual before adjusting bias preset  
FF - Flame proof resistor  
Must only be replaced with same type and rating

Indicates safety critical component  
Must only be replaced with approved type



NOTE:  
 Set VR2 to give 10mV across TP1 and TP3  
 Set VR3 to give 10mV across TP2 and TP4  
 Refer to service manual before adjusting bias preset

Title: 300W BASS OUTPUT PCB  
 Size: A3 Number: Revision: 3  
 Date: 19/12/2007 Time: 14:26:48 Sheet of  
 Original File: 9381.SchDOC

Steelpark Road  
 Coombs Wood  
 Industrial Estate West  
 Halesowen  
 UK  
 www.laney.co.uk



Flame proof resistor  
 Must only be replaced with same type and rating  
 Indicates safety critical component  
 Must only be replaced with approved type

# RB7 SPARE PARTS LIST



Model No.		RB7		
SPARES ITEM		DESCRIPTION	PART No.	
Mains Transformer	100V	5600-2060B 300W 100V Mains Transformer	006212	
	120V	5600-2057B 300W 120V Mains Transformer	006169	
	230V	5600-2036B 300W 230V Mains Transformer	006198	
Loudspeaker	Speaker	Celestion BL1070 16 ohm	51005	
	Horn	Le Son TLC-1	10505	
Switch	Power	5A DPDT Rocker Switch	530027	
Mains Fuse	100-120V	T6.3A 20mm Spiral Wound	005594	
	220-240V	T3.15A 20mm Spiral Wound	540021	
Corner	Front/Back	Black Non Hooked Type	007035	
Jack Sockets		1/4 Jack Socket - Mono - Gold	005096	
		1/4 Jack Socket PCB Mount	005002	
PCB's	9379	Bass Pre Amp PCB Complete	007032	
	Pots	VR1/2	22K Lin 6mm Spline	004061
		VR3/5/6/7	22K Lin 6mm Spline Centre Detent	004099
		VR4/10	100K Antilog 6mm Spline Dual	004075
		VR9	4K7 Lin 6mm Spline	004072
	Switch	SW1/2/3	2P2W Push Switch	005017
	9381	300W Output PCB Complete	007014	
Badge	1	Large Laney Badge	10056	
	2	Richter Badge	007160	
Control Knob		Small, Round Chrome -Deep Knurl	005650	
Handle	1	Black Strap Handle	10100	
	2	Std Black Flip Handle	007165	
Mains Inlet Socket		IEC Mains Inlet Socket Fused	005005	
Mains Lead		Country Dependant		
Feet		Screw on Rubber Feet	10059	
Cabinet Minus Loudspeaker		Carcass minus L/Speaker RB7	007154	
Output / Safety Critical Device	1	<b>SAP15N Darlington Power (NPN) OBSOLETE</b>	<b>003807</b>	
	2	<b>SAP15P Darlington Power (PNP) OBSOLETE</b>	<b>003808</b>	
	1	STD03N Darlington Power (NPN) Replacement for at	003817	
	2	STD03P Darlington Power (PNP) Replacement for at	003818	
		0R22 5% 5W Emitter Resistor (1 Reqd.for each STD	007036	
		If you experience difficulty fitting, contact Laney service		
	3	4700uF 63V Radial Capacitor	002006	
	4	680R 5W Wire wound Resistor	001705	
	5	0.9A Poly Switch MFR090	005103	
	6	1000uF 25V Radial Capacitor	002009	
7	10R 2W5 Resistor	001500		
8	1K 5W Resistor	001701		
Direct Inj. Socket		XLR 3M 90 Deg. Socket Male	005624	
Fan		24V DC 80mm Fan	007012	
Manual		RB7 User Manual	007155	