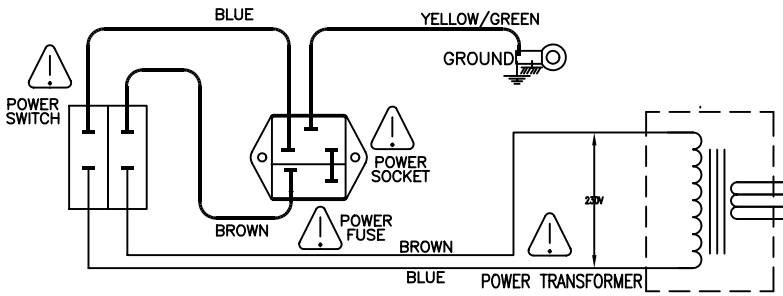
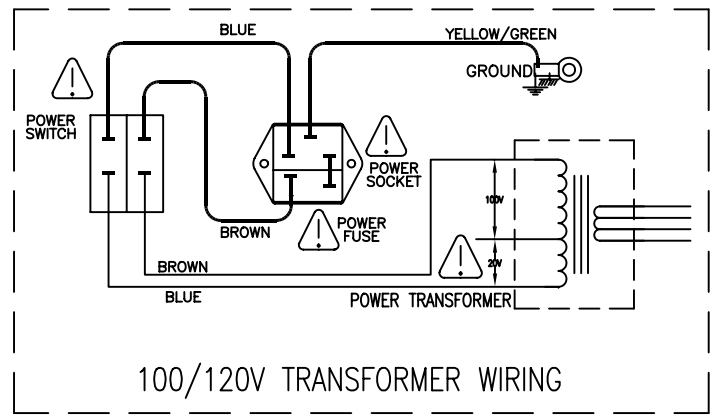


Laney

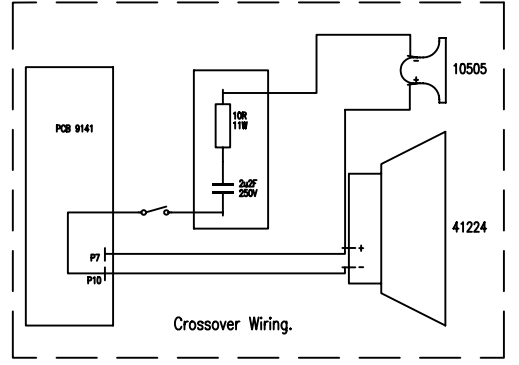
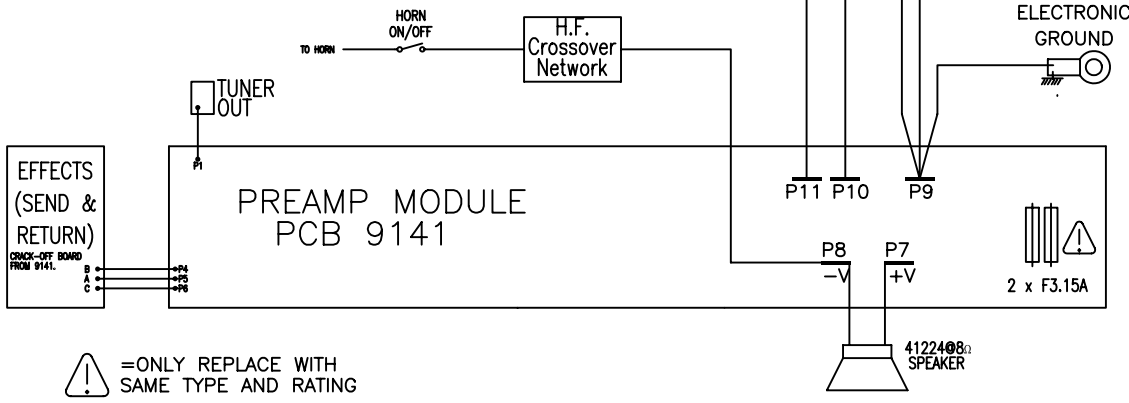
Service Diagrams



- ⚠ POWER FUSE @ 230V = T1A
- ⚠ POWER FUSE @ 115V = T2A
- ⚠ POWER TRANSFORMER @ 230V = 6106
- ⚠ POWER TRANSFORMER @ 115V = 6035



100/120V TRANSFORMER WIRING



Crossover Wiring.

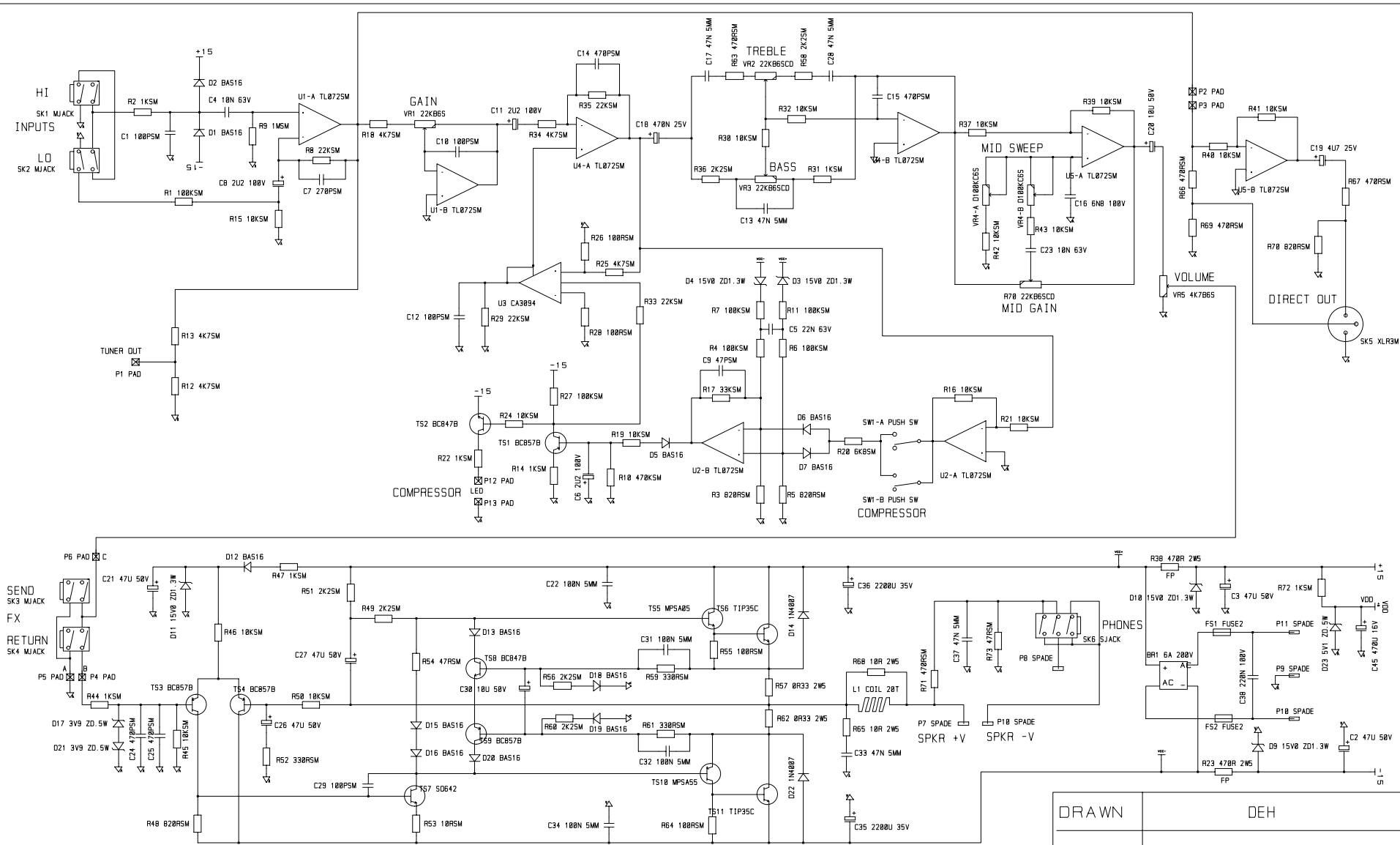
⚠ =ONLY REPLACE WITH SAME TYPE AND RATING

ISSUE	DESCRIPTION	APPD.	DATE

BLT
Industries Ltd.

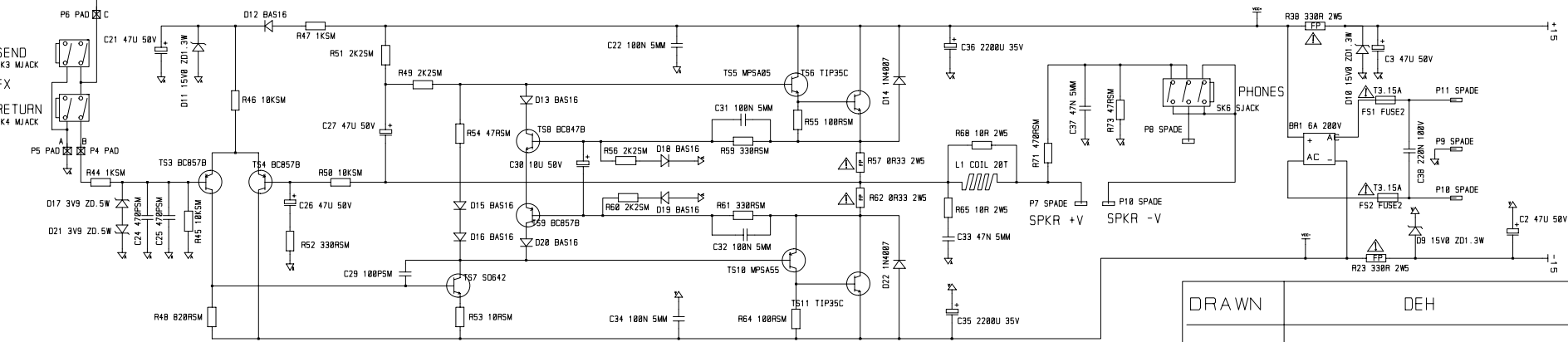
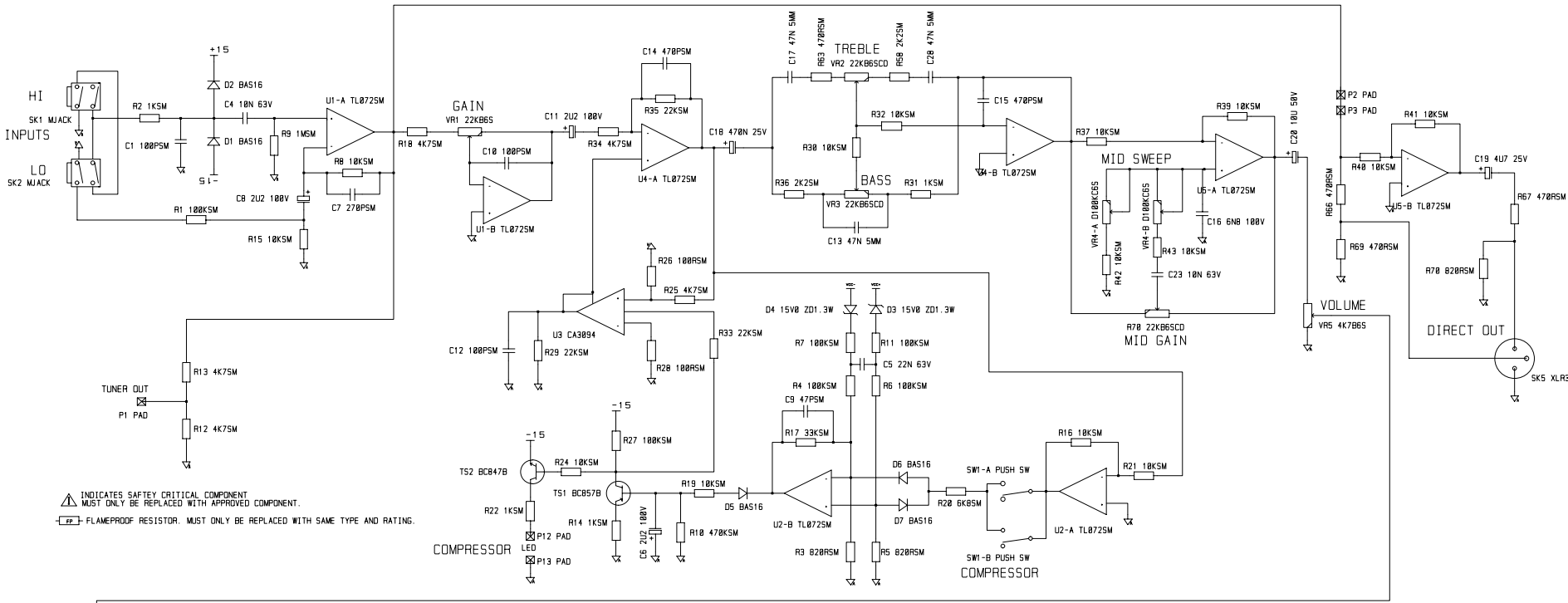
TITLE
RBW100 SERVICE
DIAGRAM
PART No

DRAWN	TRACED	CHECKED	APPROVED	DATE
S.L.				15/4/98
DRAWING No.		2802		



DRAWN	DEH
DATE	10/02/98
TITLE	RBW100
DRW. NO.	9141_2

ISSUE	
TYPE	



DRAWN	DEH
DATE	10/02/98
TITLE	RBW100
DRW. NO.	9141

ISSUE	3 08/04/98
TYPE	COMPRESSOR TO LIMITER