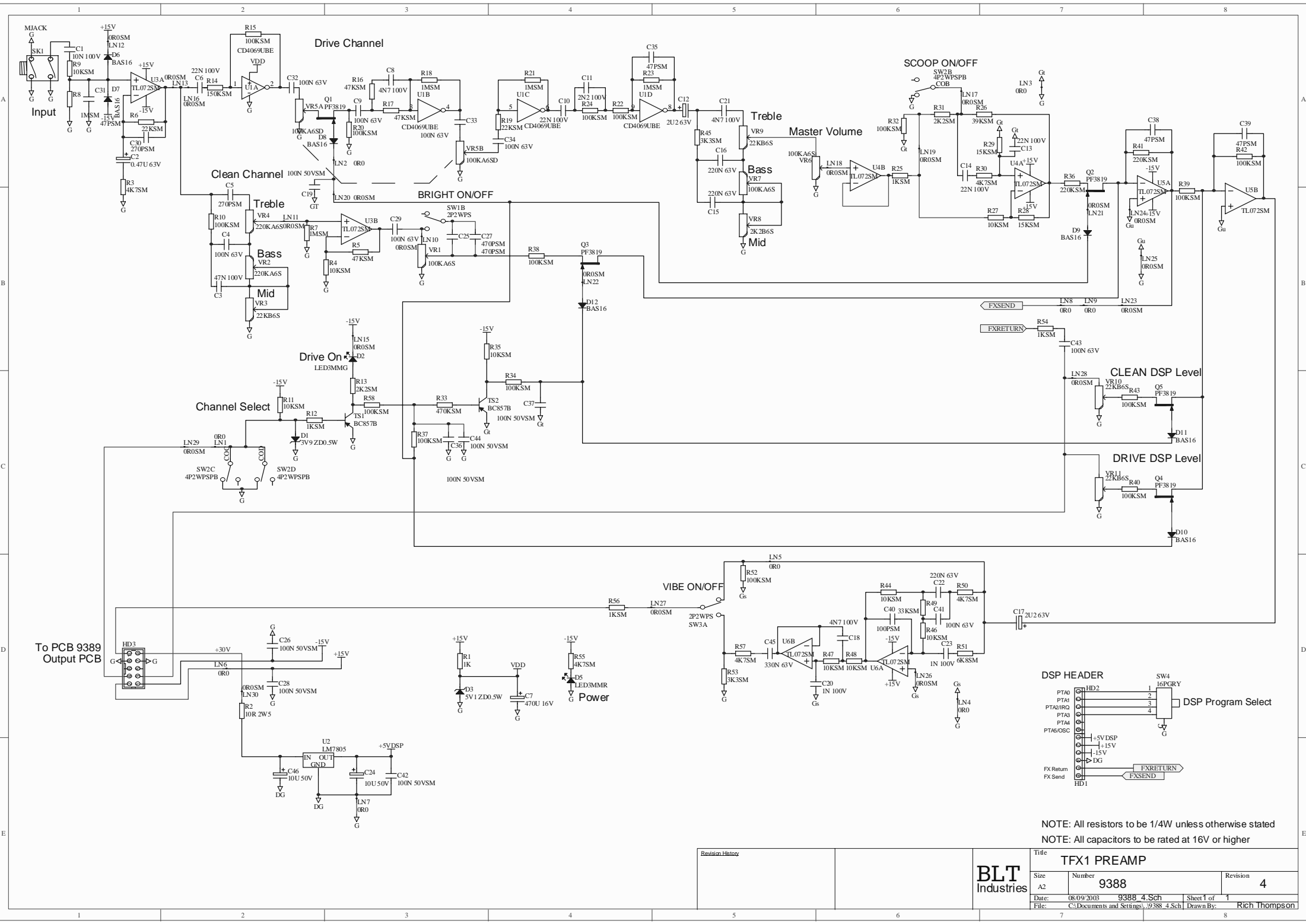


# **TFX1**

## ***Service Information***

**Laney**  
*Classic British Amplification*

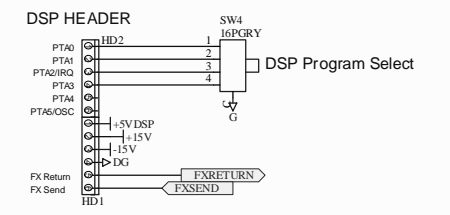
**Newlyn Road, Cradley Heath, West Midlands. B64 6BE**  
**[www.laney.co.uk](http://www.laney.co.uk)**

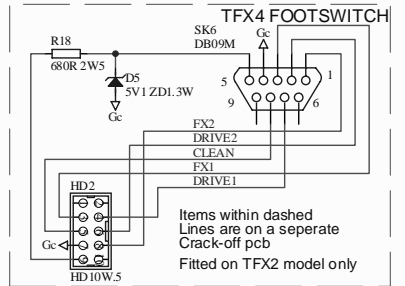
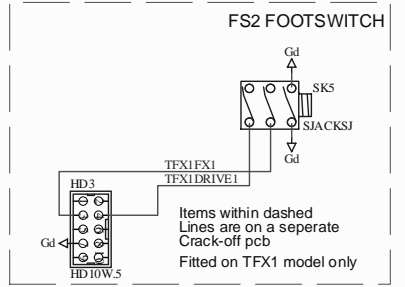
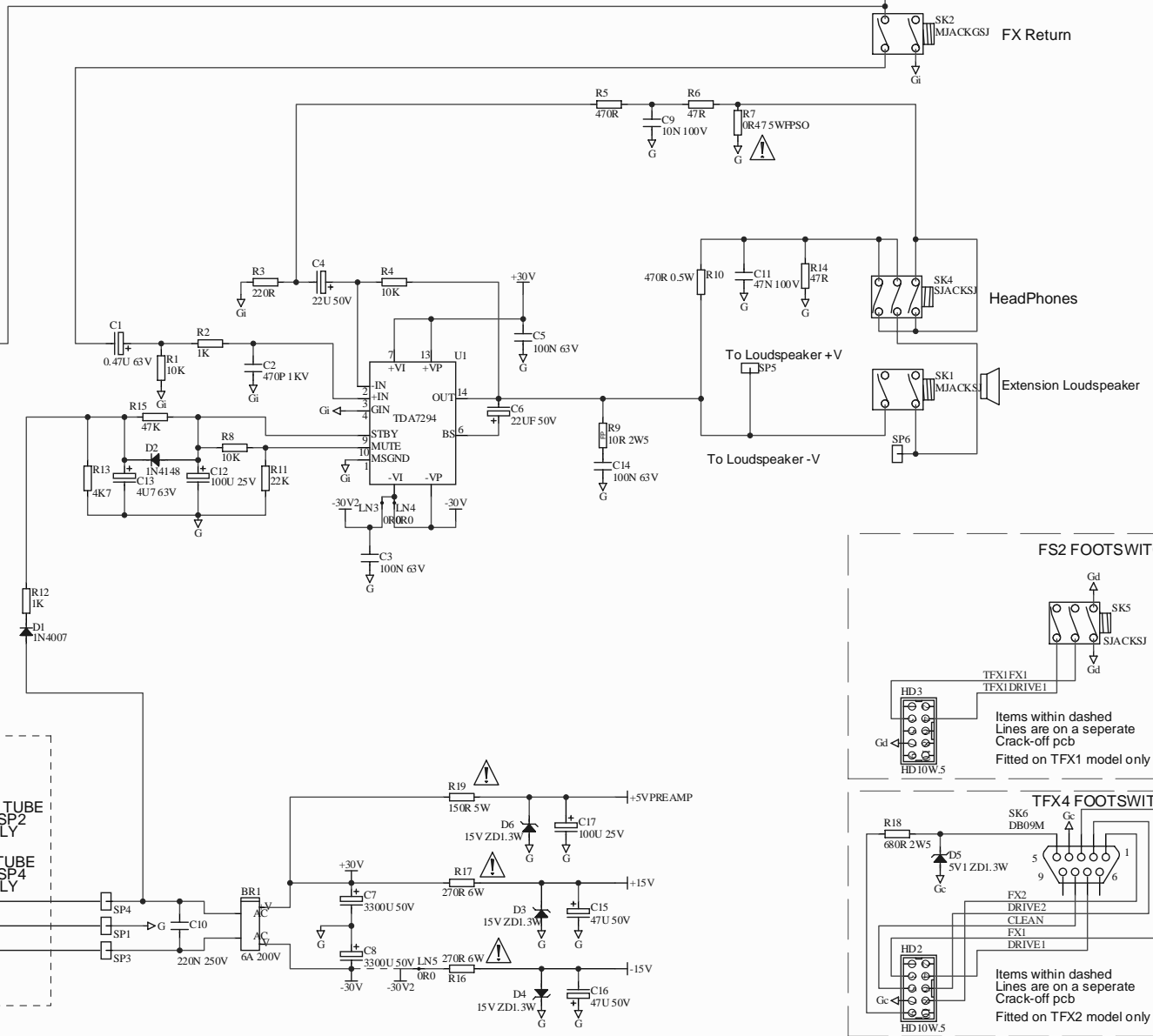
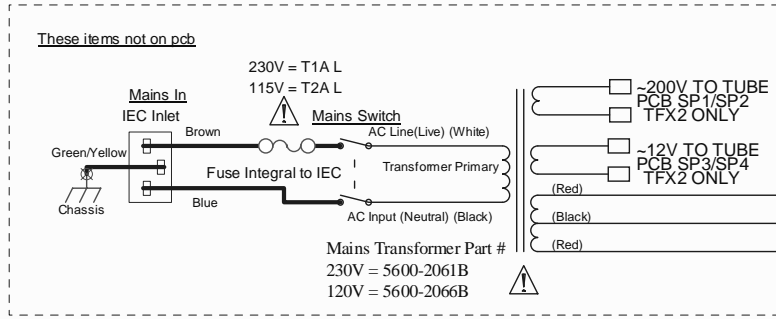
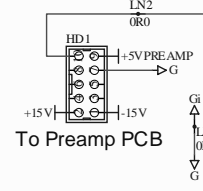
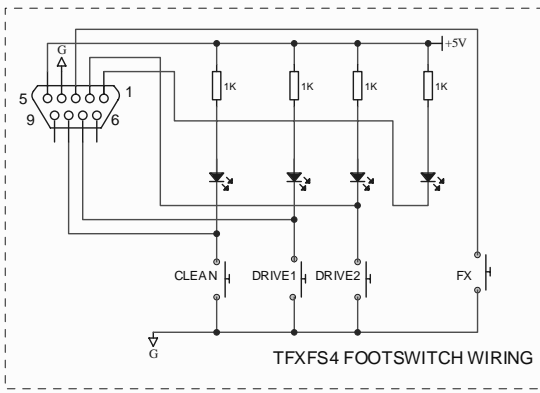


NOTE: All resistors to be 1/4W unless otherwise stated  
 NOTE: All capacitors to be rated at 16V or higher

Revision History		Title	
		TFX1 PREAMP	
Size	Number	Revision	4
A2	9388		
Date:	08/09/2003	9388 4.Sch	Sheet 1 of 1
File:	C:\Documents and Settings\j9388_4.Sch		Drawn By: Rich Thompson

**BLT**  
Industries





Flame proof resistor  
Must only be replaced with same type and rating

Indicates safety critical component  
Must only be replaced with approved type

Revision History  
C17 Added.  
D5 from 15V to 5V1  
Gnd Track changes

BLT Industries

Title		TFX1/TFX2 OUTPUT PCB	
Size	Number	Revision	
A3	9389	4	
Date:	23/10/2003	9389 4.Sch	Sheet 1 of 1
File:	D:\9389-4\9389 4.Sch	Drawn By:	Rich Thompson

TFX1E	TFX1 50W GUITAR AMPLIFIER EURO/UK	Quantity
-007977	TFX1 CHASSIS ASSY 230V	1.0000
-005005	NEW TYPE MAINS SOCKET-UL	1.0000
-005511	5MM SOLDER TAG	2.0000
-005114	R1/2/3 - IDC CABLE ASSY DWG NO 3372	1.0000
-005530	20mm T1A FUSE	1.0000
-005558	100mm TIE WRAP	5.0000
-005665/CP	12mm KNOB C/P	12.0000
-006111	50W 230V MAINS TRANSFORMER	1.0000
-007976	DSP MODULE	1.0000
-007983	9388 TFX1 PREAMP ASSY	1.0000
-001003	1K .25W RESISTOR	1.0000
-001300	ORO SHORTING LINK	21.0000
-001305	2K2 5% RESISTOR	2.0000
-001306	10K 5% RESISTOR	7.0000
-001309	1M 5% RESISTOR	4.0000
-001310	100K 5% RESISTOR	14.0000
-001312	4K7 5% RESISTOR	4.0000
-001315	47K 5% RESISTOR	2.0000
-001316	22K 5% RESISTOR	2.0000
-001317	39K 5% RESISTOR	1.0000
-001318	6K8 5% RESISTOR	1.0000
-001319	15K 5% RESISTOR	4.0000
-001326	3K3 5% RESISTOR	2.0000
-001327	1K 5% RESISTOR	1.0000
-001330	220K 5% RESISTOR	3.0000
-001331	33K 5% RESISTOR	2.0000
-001334	150K 5% RESISTOR	1.0000
-001336	470K 5% RESISTOR SMD 1206	1.0000
-001706	330R 5W RESISTOR	1.0000
-001920	ZERO OHM RESISTOR	9.0000
-002013	10UF 50V CAPACITOR	1.0000
-002020	470UF 16V RADIAL	1.0000
-002024	2.2UF 63V RADIAL	2.0000
-002037	220N 5MM BOX POLY CAPACITOR 63V	4.0000
-002038	330N 5MM BOX POLY CAPACITOR 63V	2.0000
-002414	1NF 100V 5mm	2.0000
-002415	2.2NF 100V 5mm	1.0000
-002416	3.3NF 50V 5mm	2.0000
-002417	4.7NF 100V 5mm	1.0000
-002419	100NF 63V 5mm	1.0000
-002420	22NF 100V 5mm	5.0000
-002421	10NF 100V 5mm	2.0000
-002602	47PF 50V 10% COG	4.0000
-002603	100PF 50V 10% COG	1.0000
-002604	270PF 50V 10% COG	1.0000
-002605	470PF 50V 10% COG	2.0000
-002831	100N 50V CERAMIC CAPACITOR 0805	11.0000
-003007	3V9 .5W ZENER DIODE	1.0000
-003011	5V1 .5W ZENER DIODE	1.0000
-003014	15V 1.3W ZENER	1.0000
-003022	3mm GREEN LED	1.0000
-003033	3mm LED RED	1.0000
-003500	BAS16 DIODE	7.0000
-003504	BC857B TRANSISTOR	2.0000
-003507	TMP3819 (MMBFJ112-SOT23) N CHANNEL J-FET	5.0000
-003508	34072 IC (SMD TL072)	4.0000
-003905	7805 IC	1.0000
-003910	CD4069UBE IC	1.0000
-004061	6mm 22K LIN POT	4.0000
-004062	6mm 100K LOG POT	4.0000
-004063	6mm 2K2 LIN POT	2.0000
-004073	6mm 100K/100K LOG	1.0000
-005002	MONO JACK SOCKET	1.0000
-005017	2P 2W PUSH SWITCH	2.0000
-005036	6 WAY LOCKING HEADER	2.0000
-005079	IDC PCB PLUG 10-WAY	1.0000
-005089	SWITCH CAP OVAL+WINDOW	1.0000
-005131	16 POSITION GRAY CODE ROTARY SWITCH	1.0000
-005300	PIGGY BACK PUSH SWITCH	1.0000
-005503	7.5mm ROUND BLACK BUTTON	3.0000
-009388	TFX1 PREAMP PCB ISSUE 3	1.0000
-007984	9389 TFX1 OUTPUT PCB ASSY	1.0000
-001003	1K .25W RESISTOR	2.0000
-001006	4K7 .25W RESISTOR	1.0000
-001010	47K .25W RESISTOR	1.0000
-001013	22K .25W RESISTOR	1.0000
-001014	10K .25W RESISTOR	3.0000
-001017	47R .25W RESISTOR	2.0000

-001021	100R .25W RESISTOR	1.0000
-001200	470R .5W RESISTOR	1.0000
-001500	10R 2.5W RESISTOR	1.0000
-001505	R47 4W WIRE WOUND	1.0000
-001710	560R 5W RESISTOR	2.0000
-001920	ZERO OHM RESISTOR	5.0000
-002004	47UF 50V RADIAL	3.0000
-002014	100UF 35V RADIAL	1.0000
-002025	1UF 63V RADIAL	1.0000
-002027	4.7UF 63V RADIAL	1.0000
-002043	22uf 50V ELECTROLYTIC CAP	1.0000
-002044	3300uf 50V ELECTROLYTIC	2.0000
-002402	220NF 250V 15MM DIPPED POLYESTER	1.0000
-002419	100NF 63V 5mm	3.0000
-002421	10NF 100V 5mm	1.0000
-002425	47NF 100V 5mm	1.0000
-002814	470PF 250V CERAMIC	1.0000
-003000	1N4007 DIODE	1.0000
-003006	1N4148 DIODE	1.0000
-003014	15V 1.3W ZENER	2.0000
-003014	15V 1.3W ZENER	1.0000
-003016	6A 200V BRIDGE RECTIFIER	1.0000
-003401	TDA7294 100W AUDIO AMPLIFIER	1.0000
-005079	IDC PCB PLUG 10-WAY	2.0000
-005097	MONO JACK SOCKET-HORIZONTAL STANDOFF TYPE	2.0000
-005098	STEREO JACK SOCKET-HORIZONTAL STANDOFF TYPE	2.0000
-005132	GOLD PLATED MONO JACK SOCKET-HORIZ STANDOFF	1.0000
-005135	65MM HEATSINK FINNED EXTRUSION	1.0000
-005686	4.8MM TERMINAL SPADE	5.0000
-009389	TFX1/TFX2 OUTPUT PCB ISSUE 3	1.0000
-008322	LABEL VOLTAGE SELECTOR BLANK	1.0000
-009161	4mm INT. SHAKEPROOF	2.0000
-009171	M5 INT SHAKEPROOF WASHER	2.0000
-009173	5*12mm PAN POZI ZINC	1.0000
-009175	M6 HEX NUT ZINC ONLY	1.0000
-009181	5mm BRASS HEX NUT	1.0000
-009190	6 WAY END CONNECTOR	4.0000
-009214	6*50mm CUP SQUARE BOLT BZP	1.0000
-530027	DPST EQ MAINS SWITCH	1.0000
-540038	EARTH WARNING LABEL	1.0000
-541004	HC25/50 4.8 FASTON	5.0000
-584062	6MM FLAT TX WASHER ZINC	1.0000
-584063	6mm SPLIT WASHER	1.0000
-588006	POP RIVET (BLACK)	2.0000
-8M-8881	TFX1 CHASSIS DWG.3390	1.0000
-8SP-8881	TFX1 SCREEN PRINT	1.0000
-10702	SPECIAL MAINS LEAD	1.0000
-10970	TFX1/TFX2/TFX3 USER MANUAL	1.0000
-20116	TFX1 CABINET	1.0000
-005536	LARGE GRIPPA CLIP	1.0000
-009170	5mm HEX NUT	4.0000
-10039	CORNER PENN P/N.C1839K	6.0000
-10055	PLASTIC CABINET FOOT	4.0000
-10062	BRIGHT SILVER	1.0000
-10063	TUBE FUSION BADGE	1.0000
-10157	PLASTIC STRAP HANDLE H1009/01	1.0000
-10200	M5 x 10mm TEENUT	2.0000
-10202	5MMx25MM CSK POZI SCREW	2.0000
-10211	SPEAKER BOLT	4.0000
-10221	30mm FINISHED NAIL	10.0000
-10224	35mm FINISHED NAIL	12.0000
-10226	STAPLE 71/6	100.0000
-10234	No 8 X 3/4 CSK POZI	12.0000
-10240	10 * 1 CSK POZI	4.0000
-10241	NO.8x1 1/4" FLANGE Z/B	4.0000
-10245	NO4*1/2 CSK POZI Z/B	2.0000
-10249	NO 8*1 1/2 CSK POZI	4.0000
-10260	M5*30 RSD POZI STEEL BLACK	6.0000
-10261	NO.8 "C" TYPE SURFACE CUP WASHER	6.0000
-10301	18mm CHIPBOARD	0.1800
-10302	25mm X 25mm PAR	0.7000
-10308	GREY FRONTFRET	0.2500
-10314	18mm MDF	0.0700
-10328	REPTILE BLACK	0.6000
-10478	TFX1 CARTON	1.0000
-10422	TF100 INSERT 30548	1.0000
-10600	32/18 STAPLE	12.0000
-10621	POLY. BAG 30(0) X 36	1.0000
-10629	MASKING TAPE 1.5"	1.0000
-10897	100mm ETHAFOAM CORNER	6.0000
-10981	GLUE/PAINT COST 1.25	1.0000
-51001	TUBE 10 8 OHM	1.0000
-541004	HC25/50 4.8 FASTON	4.0000