

# ***TT100H***

# ***Service Information***

**Laney**  
*Classic British Amplification*

**Newlyn Road, Cradley Heath, West Midlands. B64 6BE**  
**[www.laney.co.uk](http://www.laney.co.uk)**

# **TT100H**

# **Service Information**

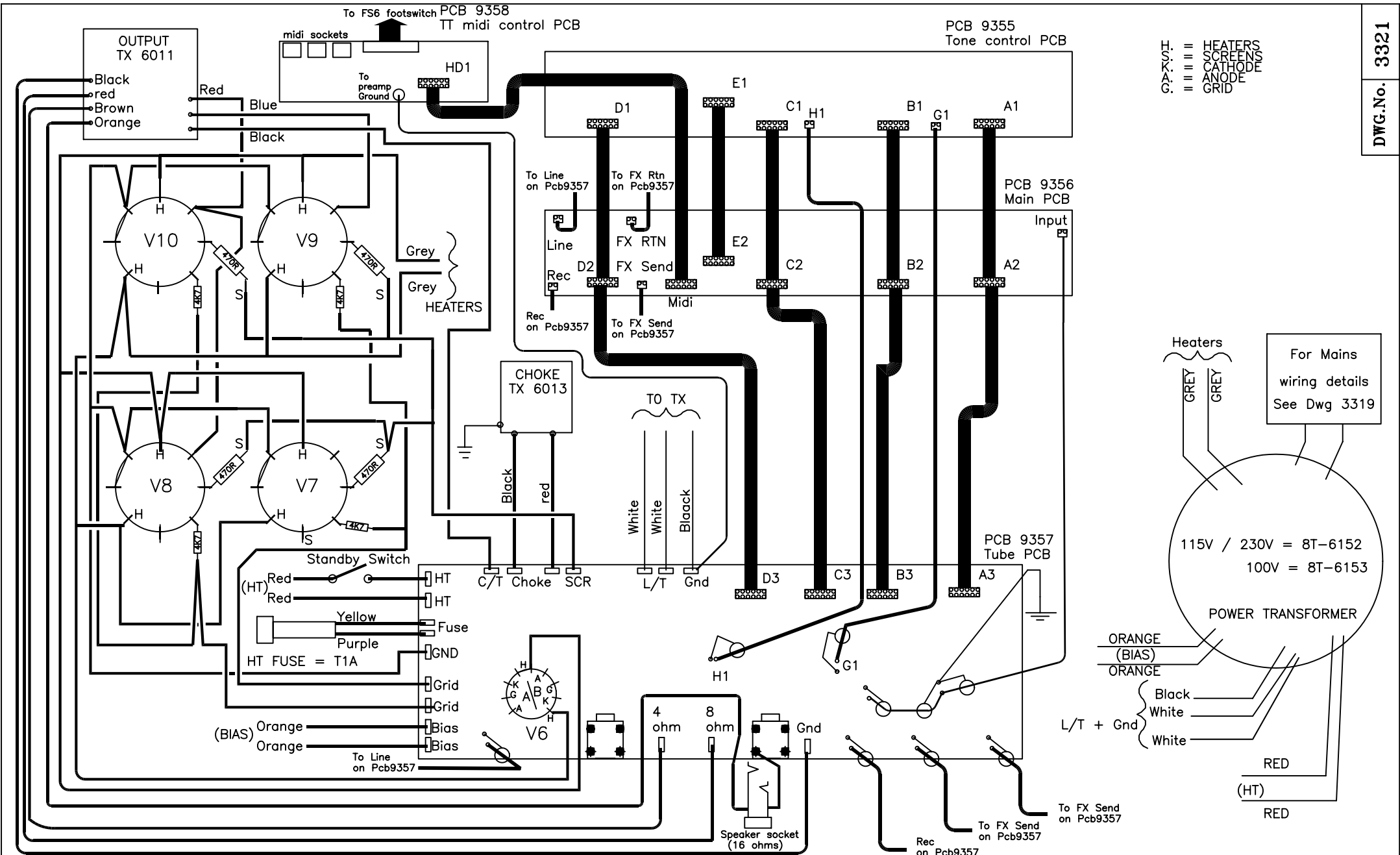
## **Contents**

- 1. Contents**
- 2. TT100H Schematic drawing**
- 3. TT100H Mains wiring**
- 4. Tone Control Pcb - 9355 issue 3**
- 5. Tone Control Pcb - 9355 issue 4**
- 6. Main Preamp Pcb - 9356 issue 3**
- 7. Main preamp Pcb - 9356 issue 4**
- 8. Tube Pcb - 9357 issue 3**
- 9. Tube Pcb - 9357 issue 4**
- 10. TT midi Pcb - 9358 issue 4**

# **Laney**

*Classic British Amplification*

**Newlyn Road, Cradley Heath, West Midlands. B64 6BE**  
**[www.laney.co.uk](http://www.laney.co.uk)**



Thick lines: HEATERS  
 Thin lines: SCREENS  
 Dotted lines: CATHODE  
 Dashed lines: ANODE  
 Solid lines: GRID

For Mains  
 wiring details  
 See Dwg 3319

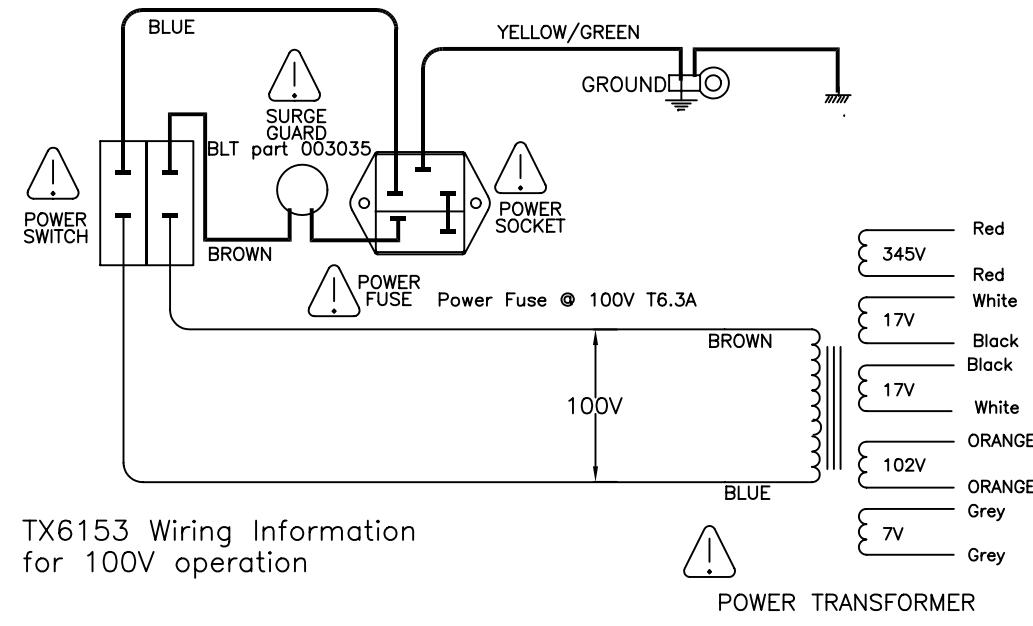
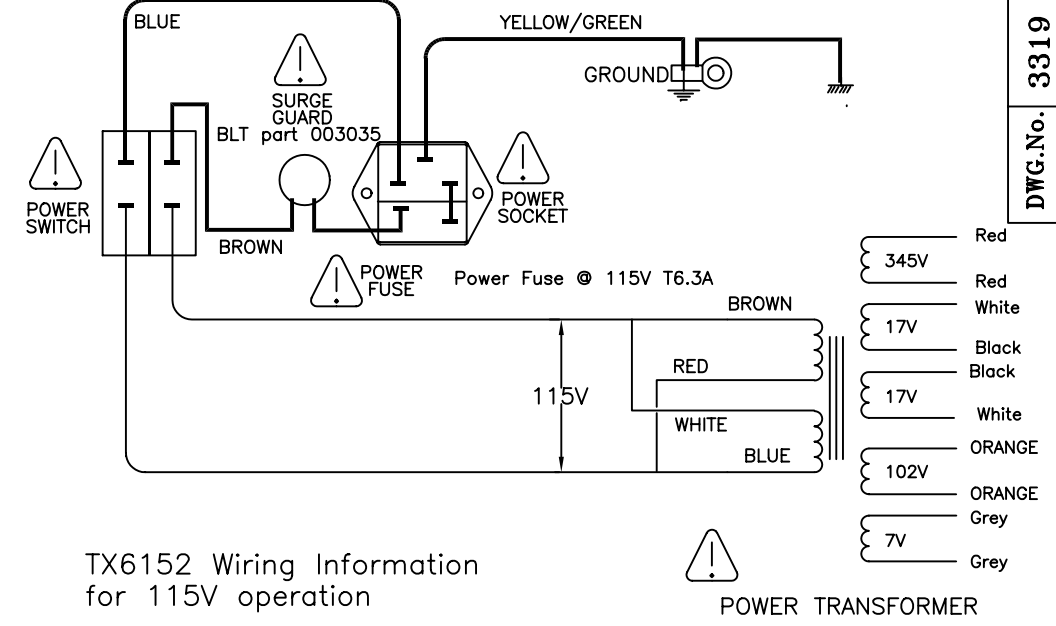
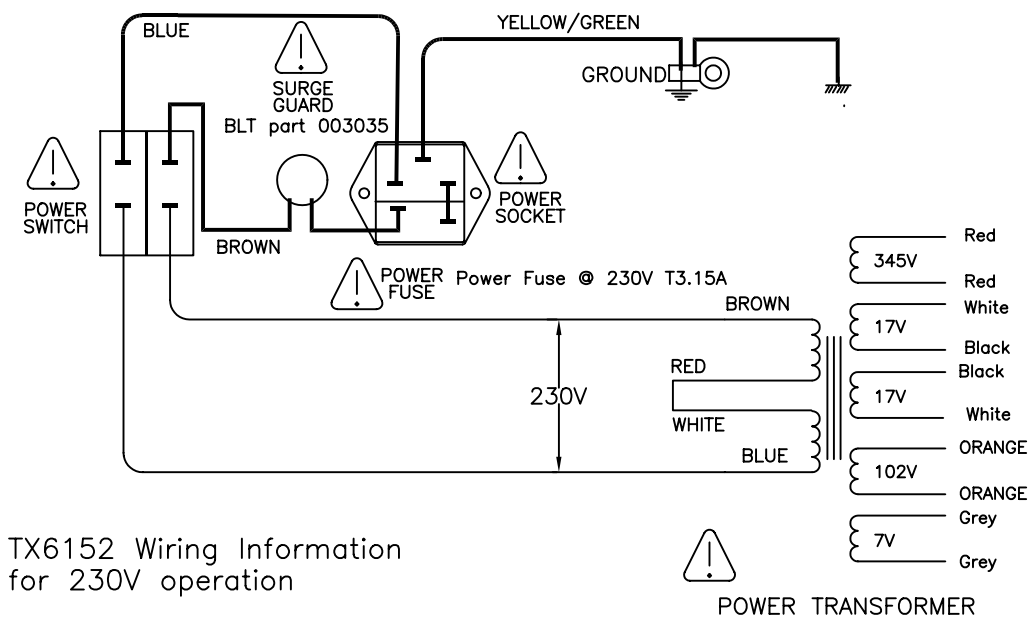
115V / 230V = 8T-6152  
 100V = 8T-6153

POWER TRANSFORMER

ORANGE (BIAS)  
 ORANGE  
 Black  
 White  
 White  
 L/T + Gnd  
 RED (HT)  
 RED

DWG.No. 3321

ISSUE	DESCRIPTION	APPD.	DATE	TITLE	DRAWN	TRACED	CHECKED	APPROVED	DATE
				<b>BLT</b> <i>Industries Ltd.</i>	<b>TT100H Schematic</b> <b>Drawing</b> PART No	R.J.F			29/4/2
						DRAWING No.	3321		

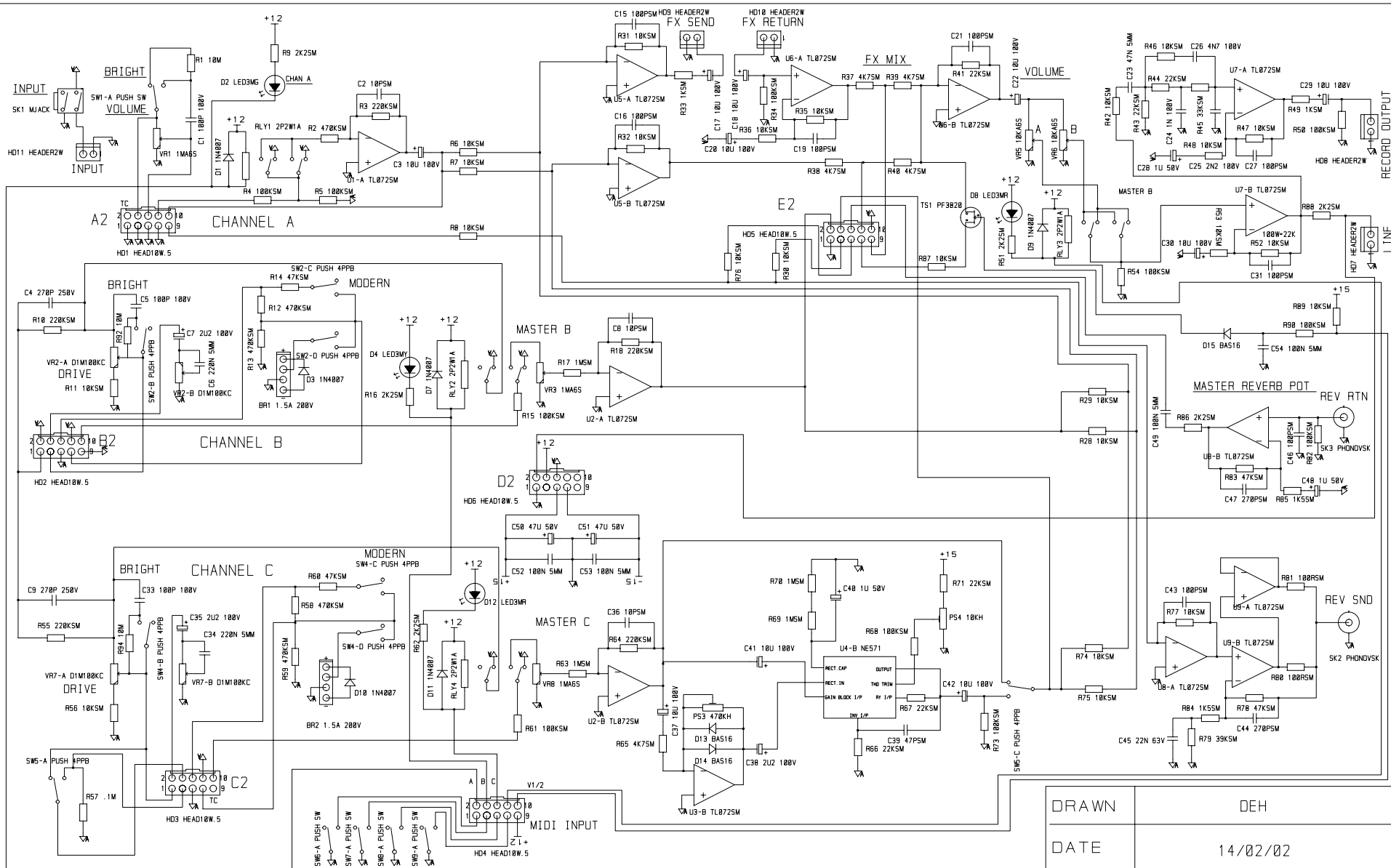


⚠ = ONLY REPLACE WITH SAME TYPE AND RATING

ISSUE	DESCRIPTION	APPD.	DATE	TITLE	DRAWN	TRACED	CHECKED	APPROVED	DATE
				<p align="center"><b>BLT</b> <i>Industries Ltd.</i></p> <p align="center">TT100 combo and TT100H PART No</p>	R.J.F				29/04/02
					DRAWING No.		3319		

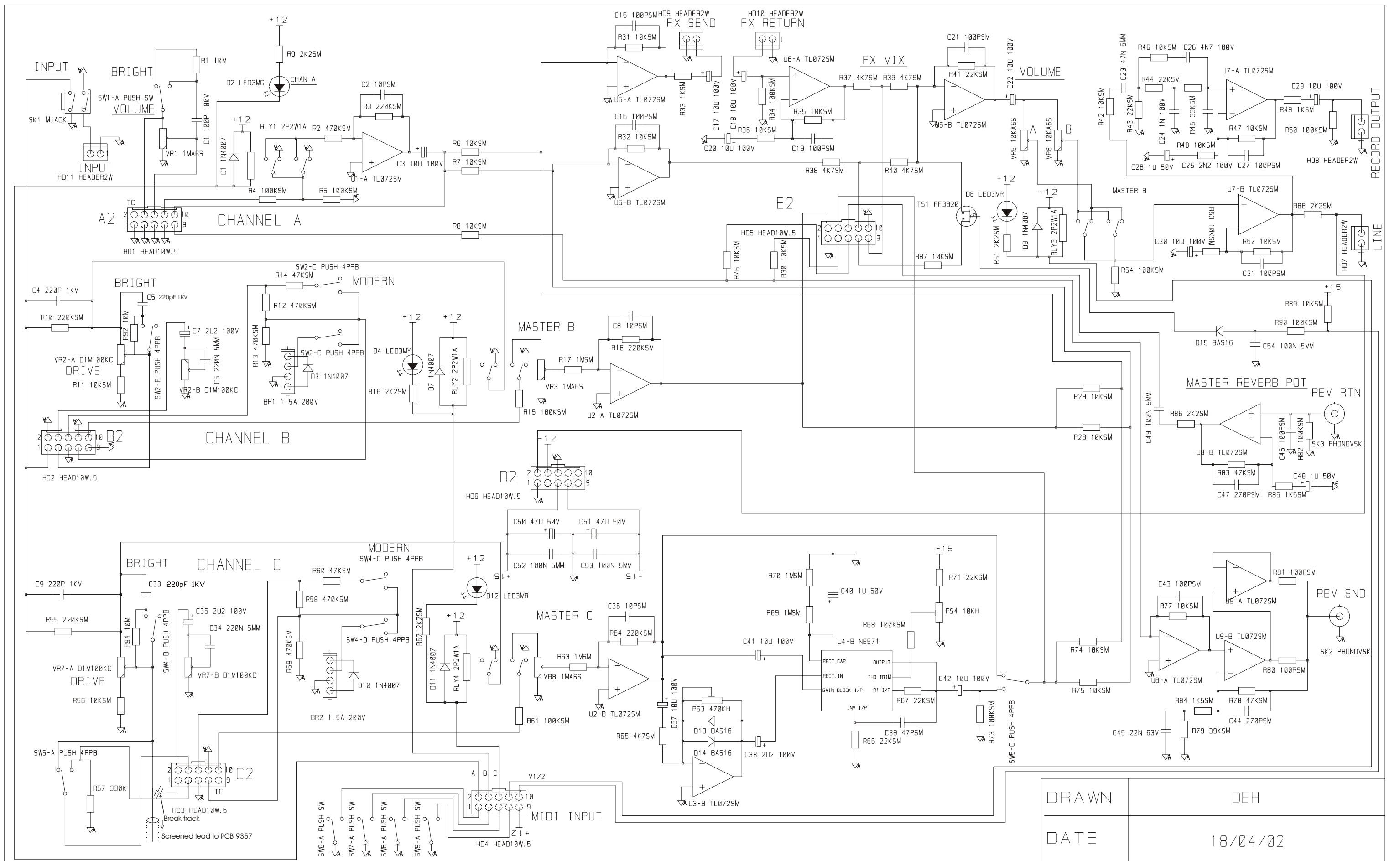






DRAWN	DEH
DATE	14/02/02
TITLE	TT50/100 MAIN PREAMP
DRW. NO.	9356.13

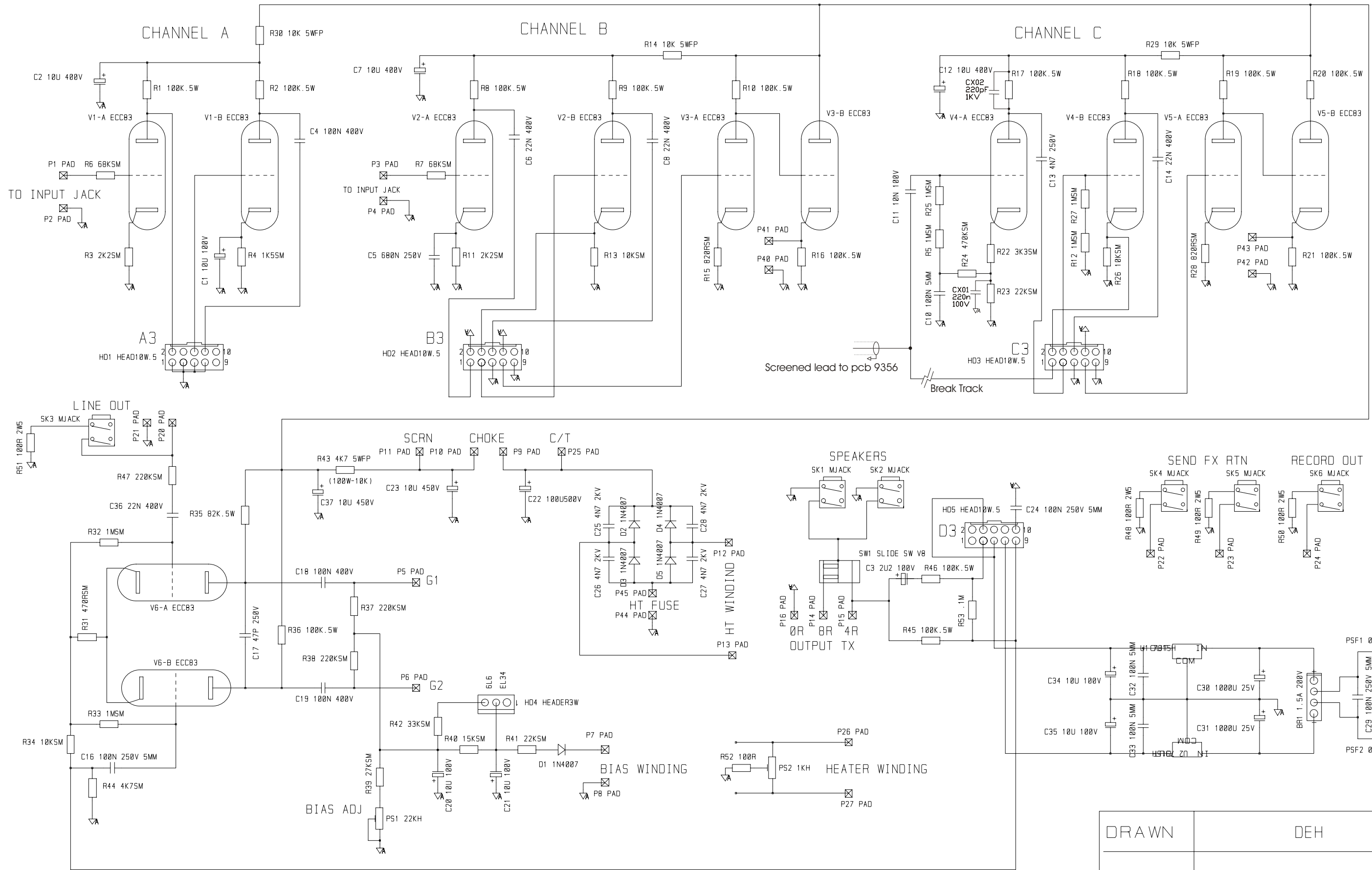
ISSUE	
TYPE	



ISSUE	4	DRAWN	DEH
TYPE	- C5 from 100pF to 220pF 1KV - C33 from 100pF to 220pF 1KV - Track break on pin1 of HD3 - Screened lead wired from Wiper VR7 to PCB 9357. (See CN0335 20/01/04)	DATE	18/04/02
		TITLE	TT50/100 MAIN PREAMP
		DRW. NO.	9356_4

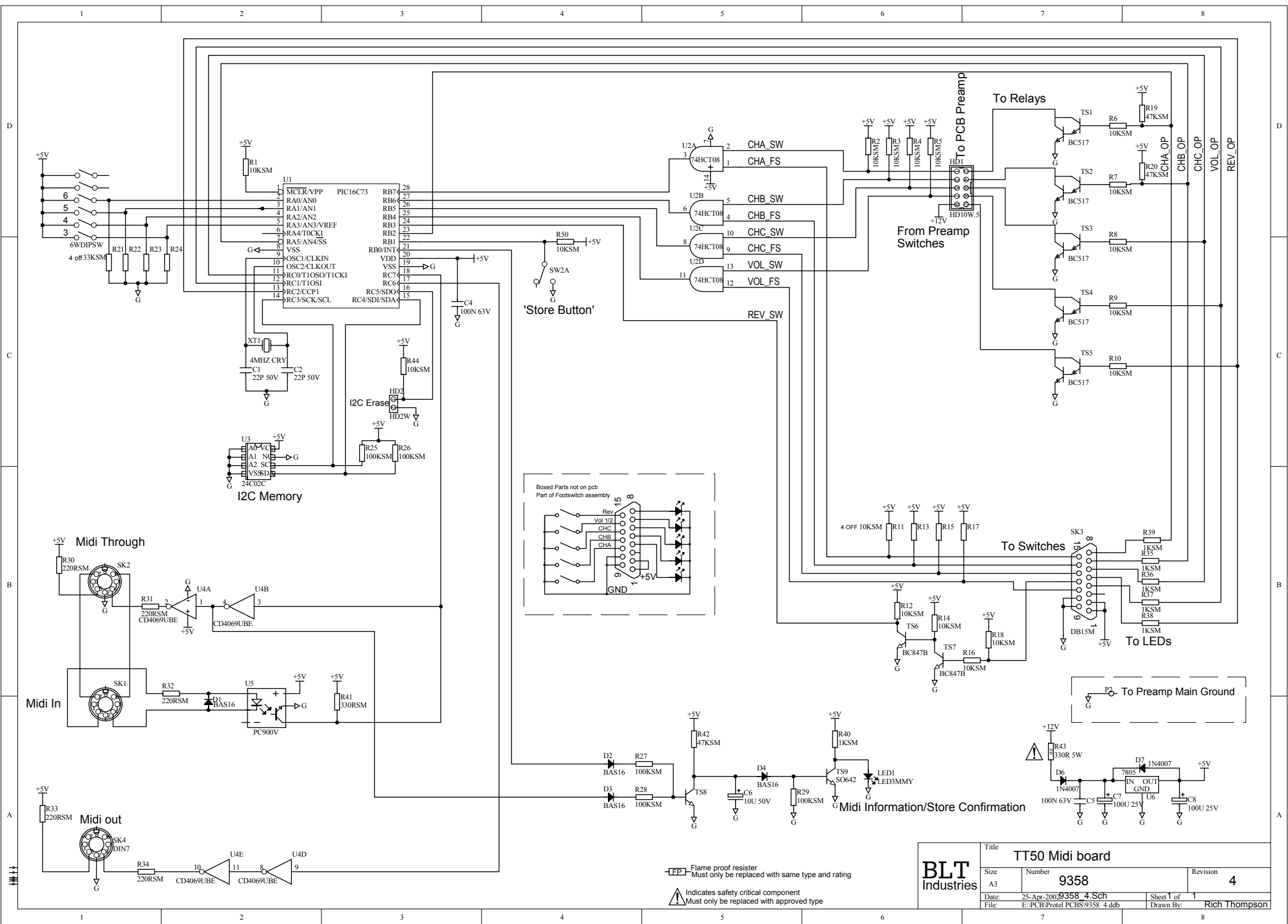






DRAWN	DEH
DATE	19/04/02
TITLE	TT50 MAIN BOARD
DRW. NO.	9357_4

ISSUE	4
TYPE	- CX01, CX02 Added - Track broken by pin1 HD3 - Screened lead added from pcb 9356 to C11. (See CN0335 20/01/04)



Flame proof resistor  
 Must only be replaced with same type and rating  
 Indicates safety critical component  
 Must only be replaced with approved type

<b>BLT Industries</b>		<b>Title</b> TT50 Midi board	
<b>Size</b> A3	<b>Number</b> 9358	<b>Revision</b> 4	
<b>Date</b> 25-Apr-2002 9358 4.Sch		<b>Sheet 1 of 1</b>	
<b>File</b> E:\PCB\Protel\PCBS\9358 4.ddb		<b>Drawn By:</b> Rich Thompson	