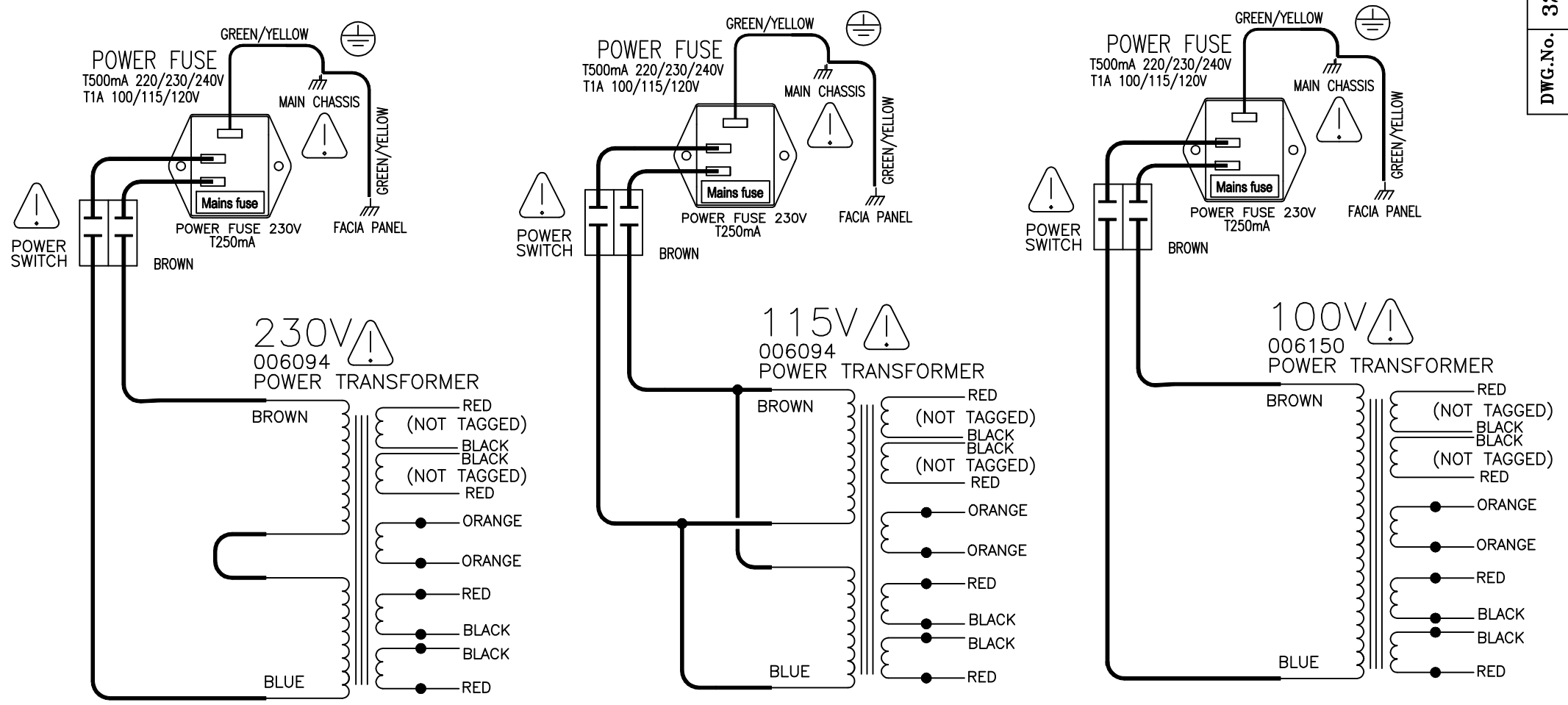


TT20

Service Information



www.Laney.co.uk



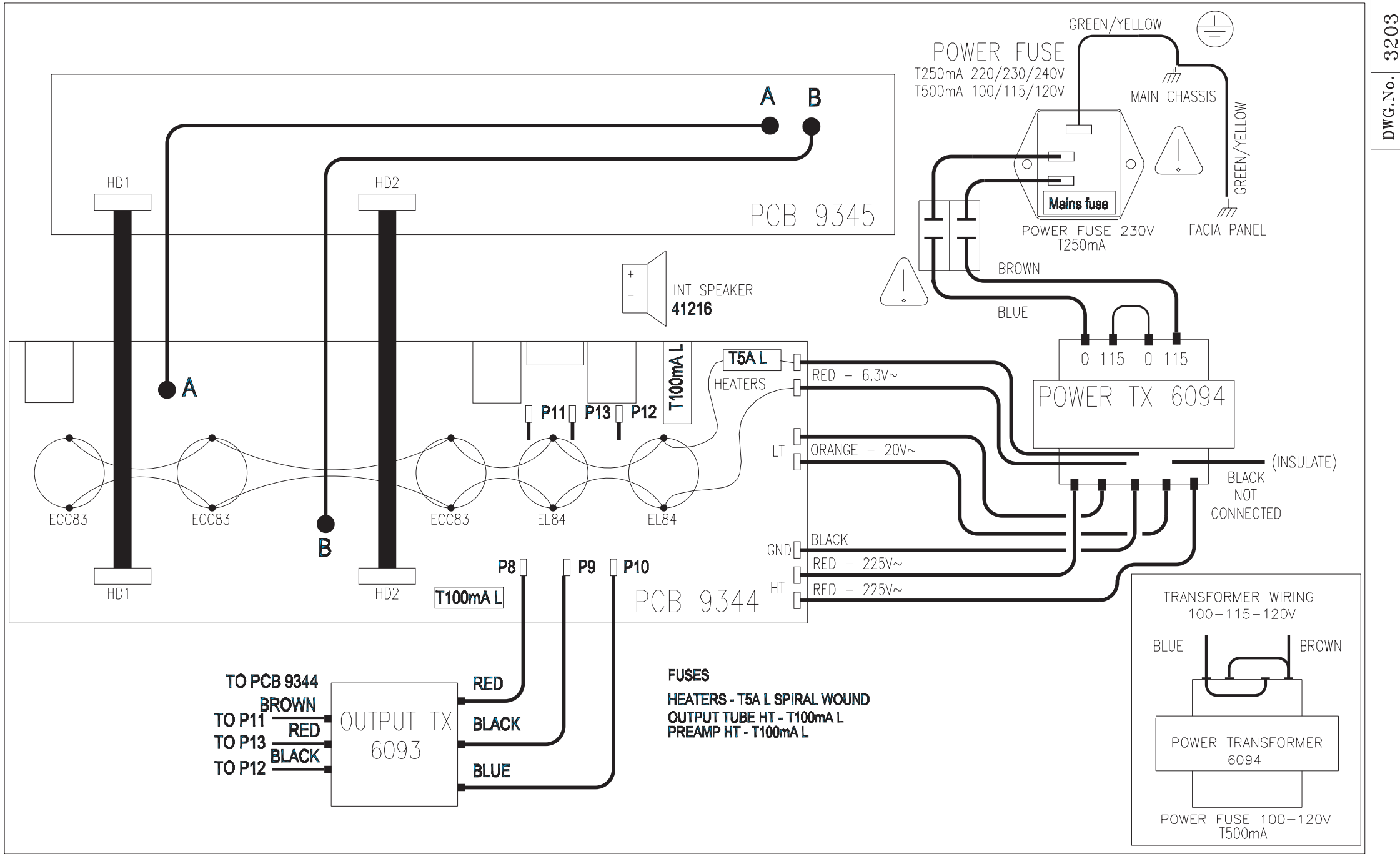
⚠️ = ONLY REPLACE WITH SAME TYPE AND RATING

ISSUE	DESCRIPTION	APPD.	DATE

BLT
 Industries Ltd.

TITLE
 MAINS WIRING FOR
 TT20
 PART No

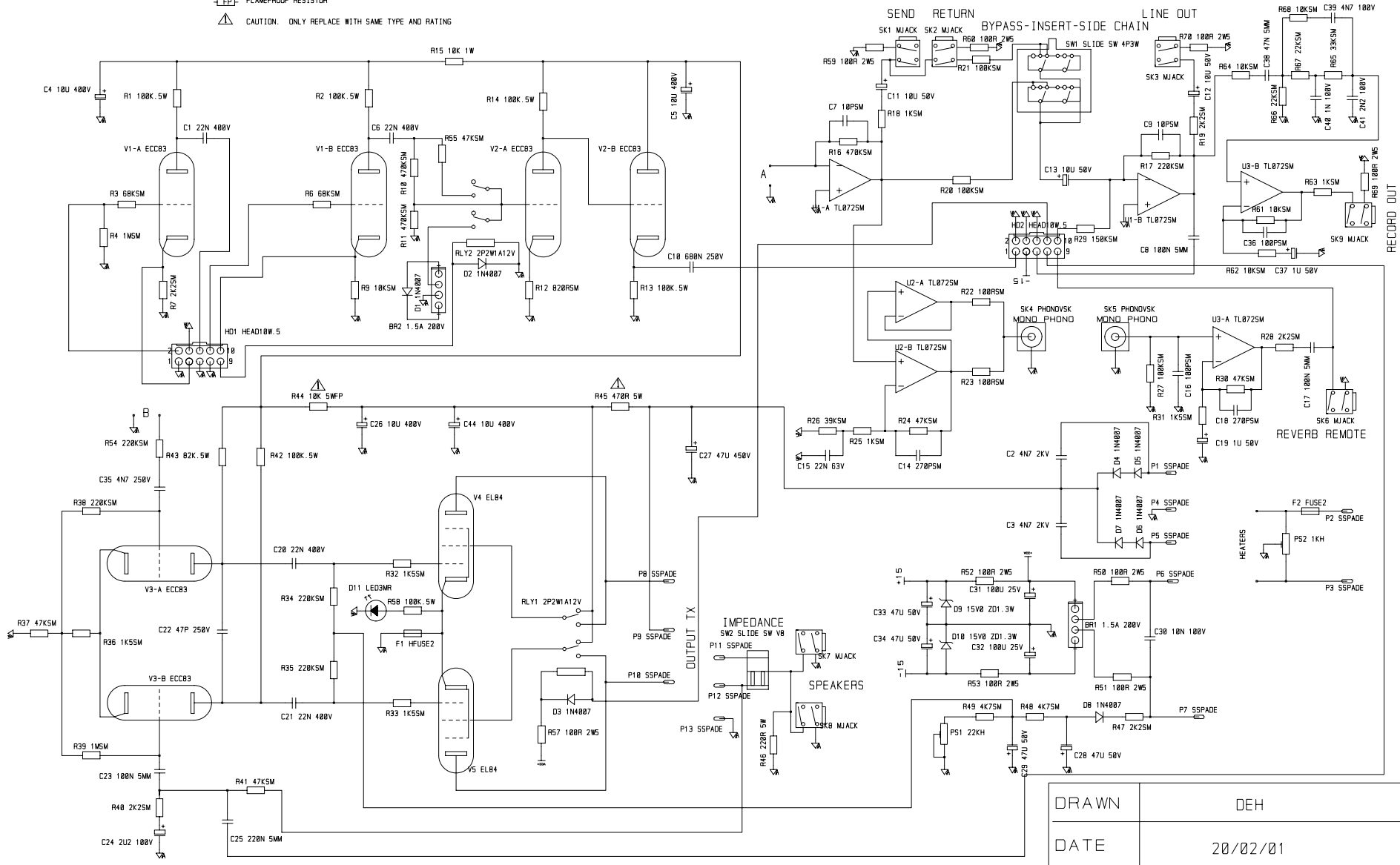
DRAWN	TRACED	CHECKED	APPROVED	DATE
R.S.T				13/03/01
DRAWING No.		3214		



ISSUE	DESCRIPTION	APPD.	DATE	TITLE	DRAWN	TRACED	CHECKED	APPROVED	DATE	
				<p align="center">BLT Industries Ltd.</p>	<p align="center">TT20 SERVICE SCHEMATIC PART No</p>	R.S.T			07/02/01	
								<p>3203</p>		

FP- FLAMEPROOF RESISTOR

CAUTION. ONLY REPLACE WITH SAME TYPE AND RATING

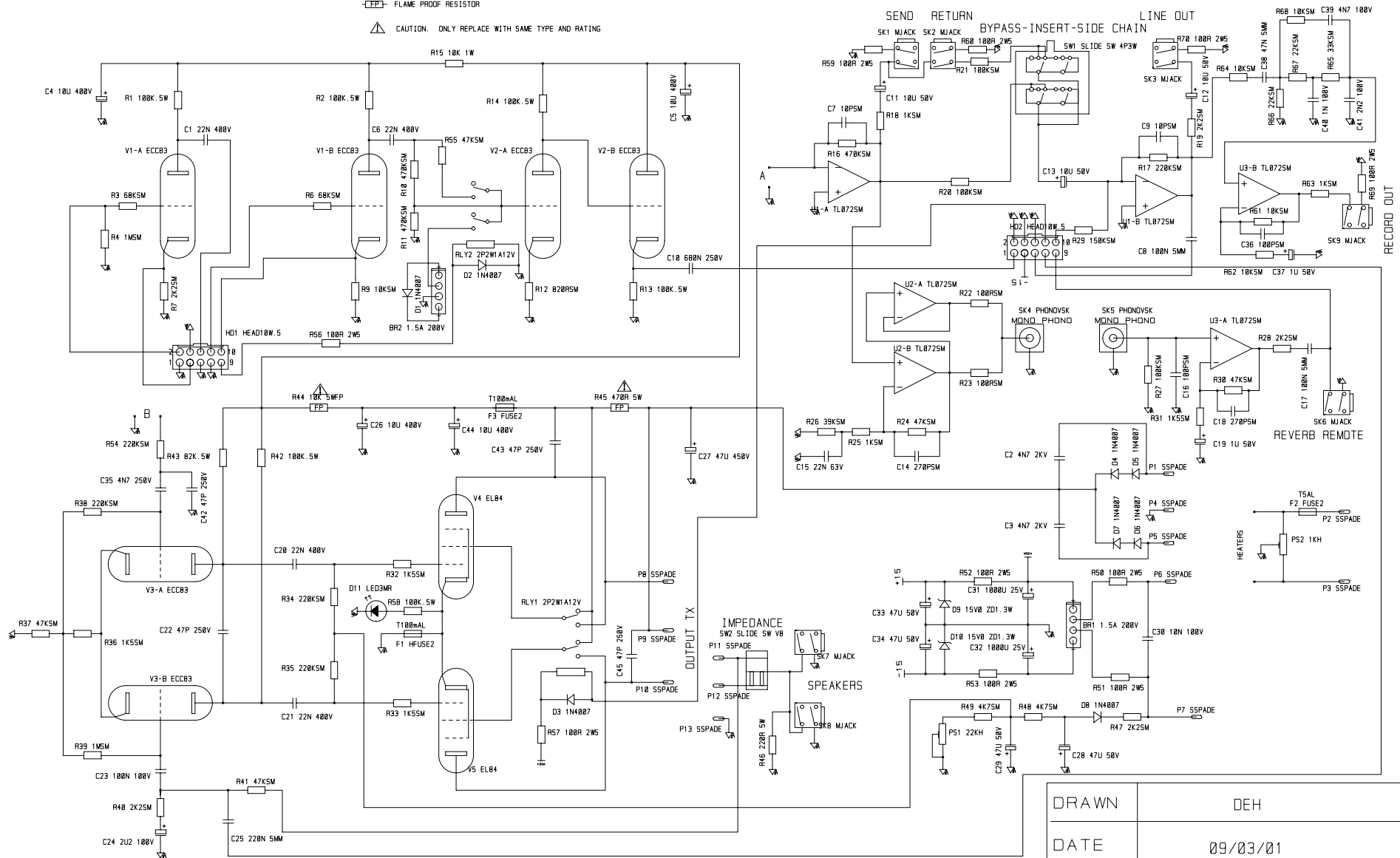


ISSUE		DATE	20/02/01
TYPE		TITLE	TT20 POWER MODULE
		DRW. NO.	9344_3

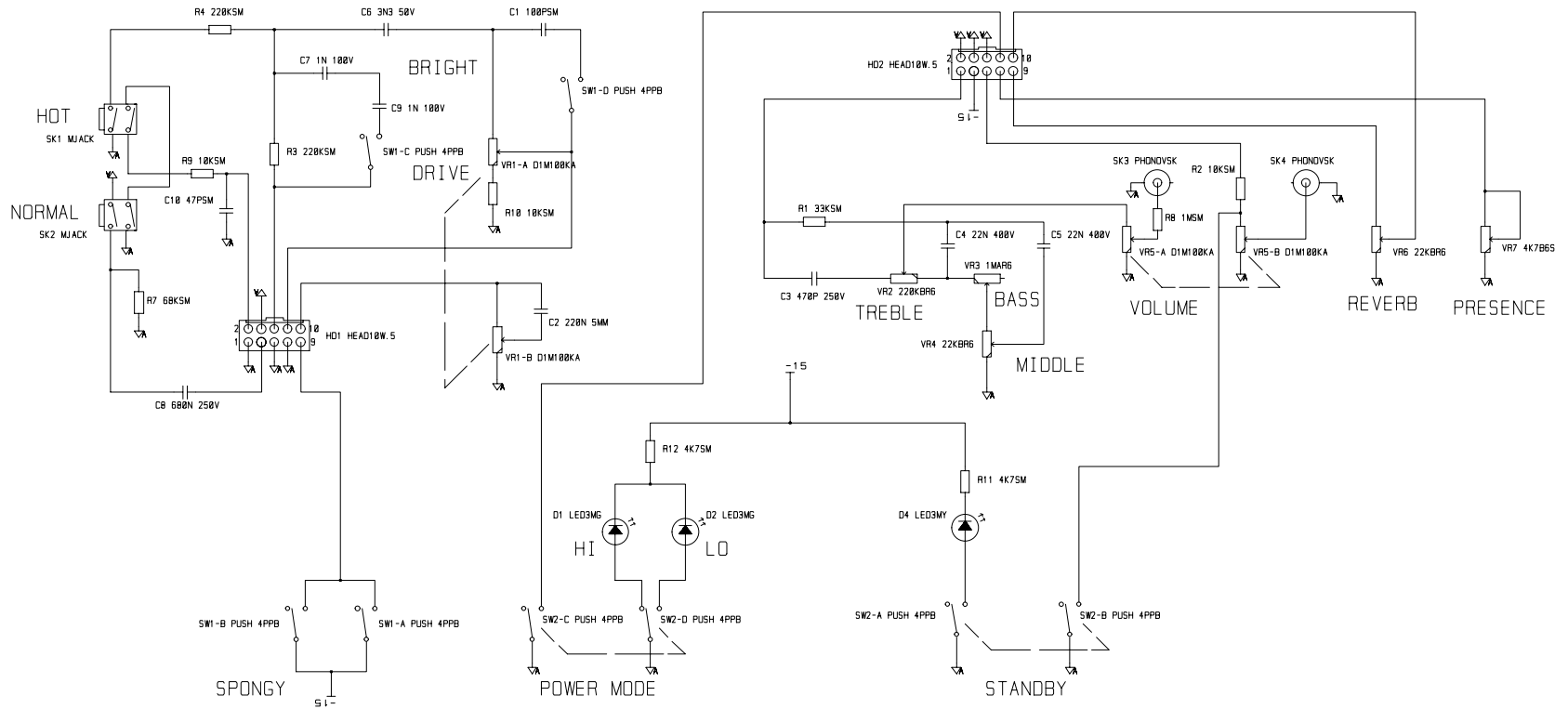
DRAWN	DEH
DATE	20/02/01
TITLE	TT20 POWER MODULE
DRW. NO.	9344_3

FLAME PROOF RESISTOR

CAUTION. ONLY REPLACE WITH SAME TYPE AND RATING

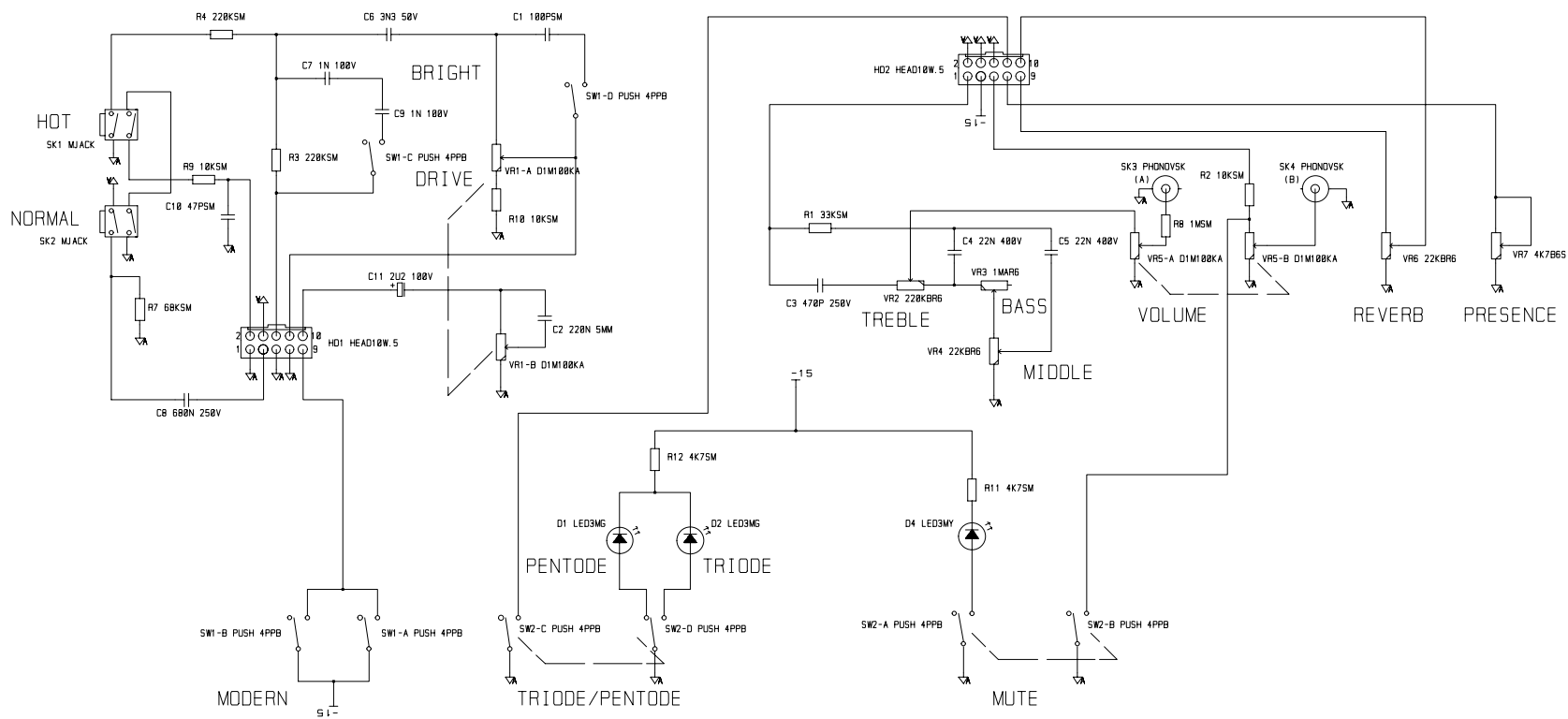


ISSUE	4 12/03/01	DATE	09/03/01
TYPE	R56 added C42/43/45 added C23 100N 63V-100V	TITLE	TT20 POWER MODULE
		DRW. NO.	9344_4



DRAWN	DEH
DATE	20/02/01
TITLE	TT20 INPUT PCB
DRW. NO.	9345_3

ISSUE					
TYPE					



DRAWN	DEH
DATE	09/03/01
TITLE	TT20 INPUT PCB
DRW. NO.	9345_4

ISSUE	4 09/03/01				
TYPE	LAYOUT CHANGES C11 ADDED				

TT20 ASSEMBLY

10702	SPECIAL MAINS LEAD	1
10914	LC15 USER MANUAL	1
7109	TT20 CHASSIS ASSY 230V	-1
->005005	NEW TYPE MAINS SOCKET	1
->005026	EL84 LARGE CLIP	2
->005027	ECC83 SMALL CLIP	3
->005078	IDC CABLE SOCKET 10-WAY	6
->005511	5MM SOLDER TAG	3
->005528	20mm T250ma FUSE	1
->005536	LARGE GRIPPA CLIP	4
->005548	ECC83 VALVE	2
->005558	100mm TIE WRAP	9
->005562	EL84 (SOVTEC)	2
->005570	SPECIAL ECC83 VALVE	1
->005586	20mm T100ma FUSE	1
->005627	LARGE CHICKEN HEAD	7
->005637	6*32 HEX SPACER	2
->006093	LC15 O/P TRANSFORMER	1
->006094	LC15R MAINS TRANSFORMER	1
->009171	M5 INT SHAKEPROOF	2
->009173	5*12mm PAN POZI	1
->009181	5mm BRASS HEX NUT	1
->009187	NO. 8 SPIRE FASTENER	3
->009189	5mm CAGE NUT	6
->009208	4BA NUTS BZP	8
->009229	8*3/8 FH POZI	3
->009970	SOLDER COST \approx .50	1
->530027	DPST EQ MAINS SWITCH	1
->540038	EARTH WARNING LABEL	1
->541004	HC25/50 4.8 FASTON	20
->588006	POP RIVET (BLACK)	2

TT20 ASSEMBLY

->007110	PCB 9344 ASSY VC20 MAIN	-1
->>001206	82K .5W RESISTOR	1
->>001207	100K .5W 1% RESISTOR	6
->>001300	ORO SHORTING LINK	6
->>001303	100R 5% RESISTOR	2
->>001304	820R 5% RESISTOR	1
->>001305	2K2 5% RESISTOR	5
->>001306	10K 5% RESISTOR	5
->>001308	68K 5% RESISTOR SMD1206	2
->>001309	1M 5% RESISTOR	2
->>001310	100K 5% RESISTOR	3
->>001312	4K7 5% RESISTOR	5
->>001315	47K 5% RESISTOR	4
->>001316	22K 5% RESISTOR	2
->>001317	39K 5% RESISTOR	1
->>001327	1K 5% RESISTOR	3
->>001330	220K 5% RESISTOR	5
->>001331	33K 5% RESISTOR	1
->>001334	150K 5% RESISTOR	1
->>001335	1K5 5% RESISTOR	4
->>001336	470K 5% RESISTOR	3
->>001400	10K 1W RESISTOR	1
->>001504	100R 2.5W RESISTOR	9
->>001700	470R 5W RESISTOR	1
->>001708	220R 5W RESISTOR	1
->>001714	10K 5W RESISTOR	1
->>001920	ZERO OHM RESISTOR	12
->>002001	47uf 450V AXIAL	1
->>002004	47UF 50V RADIAL	4
->>002013	10UF 50V CAPACITOR	3
->>002014	100UF 35V RADIAL	2
->>002015	10uf 400V RADIAL	3
->>002024	2.2UF 63V RADIAL	1
->>002037	220N 5MM BOX POLY CAPACITOR 63V	1
->>002204	680NF 250V 22.9mm	1
->>002401	22NF 400V 10MM	4
->>002404	10NF 400V 10MM	1
->>002412	4N7 400V 10mm	1
->>002414	1NF 100V 5mm	1
->>002415	2.2NF 100V 5mm	1
->>002417	4.7NF 100V 5mm	1
->>002419	100NF 63V 5mm	3
->>002420	22NF 100V 5mm	1
->>002425	47NF 100V 5mm	1
->>002601	10PF 50V 10% COG	2
->>002603	100PF 50V 10% COG	2
->>002604	270PF 50V 10% COG	2
->>002804	4N7 1000V CERAMIC	2
->>002818	47PF 500V CERAMIC	1
->>003000	1N4007 DIODE	6
->>003014	15V 1.3W ZENER	2
->>003017	1.5A 200V BRIDGE	1
->>003033	3mm LED RED	1
->>003508	34072 IC (SMD TL072)	3
->>004000	1K HORIZ PRESET	1
->>004020	22K HORIZ PRESET	1
->>005002	MONO JACK SOCKET	6
->>005022	PCB FUSE CARRIER	1
->>005079	IDC PCB PLUG 10-WAY	3
->>005080	20MM HORIZ ENCL' FUSE HOLDER	1
->>005081	PHONO SOCKET SINGLE SKELETON	2
->>005309	6.3MM PHONE JACK	1
->>005554	10A SLIDE SWITCH	1
->>005579	B9A VALVE BASE	3
->>005605	2A 12V RELAY	1
->>005686	4.8MM TERMINAL SPADE	13
->>005687	B9A CHASSIS SOCKET S9CPC-1	2
->>009344	TT20 MAIN PCB ISSUE 4	1
->>530023	4P 3W SLIDE SWITCH	1
->007111	PCB 9345 ASSY VC20 FRONT BOARD	-1
->>001048	10M .25W RESISTOR	1
->>001300	ORO SHORTING LINK	2
->>001306	10K 5% RESISTOR	3
->>001308	68K 5% RESISTOR SMD1206	2
->>001309	1M 5% RESISTOR	1
->>001310	100K 5% RESISTOR	1

TT20 ASSEMBLY

->->001330	220K 5% RESISTOR	1
->->001331	33K 5% RESISTOR	1
->->001920	ZERO OHM RESISTOR	8
->->002024	2.2UF 63V RADIAL	1
->->002037	220N 5MM BOX POLY CAPACITOR 63V	1
->->002204	680NF 250V 22.9mm	1
->->002401	22NF 400V 10MM	2
->->002414	1NF 100V 5mm	2
->->002602	47PF 50V 10% COG	1
->->002603	100PF 50V 10% COG	1
->->002814	470PF 250V CERAMIC	1
->->003021	3mm RED LED	1
->->003043	3MM BLUE DIFFUSED LED	2
->->004072	6mm 4K7 LIN POT	1
->->004077	1M LOG/100K LOG DUAL	2
->->004096	6mm 1M LOG POT	1
->->004097	6mm 22K LIN POT	2
->->004098	6mm 220K LIN POT	1
->->005002	MONO JACK SOCKET	2
->->005079	IDC PCB PLUG 10-WAY	3
->->005300	PIGGY BACK PUSH SWITCH	2
->->005503	7.5mm ROUND BLACK BUTTON	4
->->009345	TT20 FRONT PCB ISSUE 4	1
->8P-3083	VC20 FACIA CHROME PLATE	-1
->8P-3084	VC20 CHASSIS POWDER COAT BLACK	-1
20109	TT20 CABINET ASSY	-1
->005536	LARGE GRIPPA CLIP	2
->009170	5mm HEX NUT	4
->10007	PHONO/PHONO LEAD	1
->10021	LARGE REVERB	1
->10048	BACK CHROME CORNER	4
->10049	FRONT CHROME CORNER	4
->10055	PLASTIC CABINET FOOT	4
->10062	BRIGHT SILVER	1
->10101	LEATHER STRAP HANDLE P/N.3417	1
->10102	CHROME ANGLED JACK	1
->10208	NO.8 X 1 1/4" CSK	8
->10211	SPEAKER BOLT	4
->10221	30mm FINISHED NAILS	6
->10224	35mm FINISHED NAILS	30
->10225	STAPLES 97/12	12
->10226	STAPLES 71/6	70
->10233	M5*30 FLANGE POZI BK	6
->10240	10 * 1 CSK POZI	4
->10245	No4*1/2 CSK POZI	2
->10247	No8*1/2 FLANGE POZI	20
->10253	NO6*5/8 PAN POZI ST	6
->10301	18mm CHIPBOARD	0.25
->10308	GREY FRONTFRET	0.3
->10314	18mm MDF	0.1
->10318	BASKETWEAVE	1.2
->10410	VC20 CARTON	1
->10600	32/18 STAPLES	12
->10621	POLY. BAG 30(0) X 36	1
->10981	GLUE/PAINT COST 1.25	1
->10984	PACKING COST œ1.00	1
->41216	PREMIER 12V358	-1
->541004	HC25/50 4.8 FASTON	2
->8P-8522	VC30 VENT PLATE	-1
->8G-VC20	VC20 GRILL POWDER COAT BLACK	-1
->->79060	LANEY CR4 PERFORATED	0.06
->->8PCG-VC20	VC20 POWDER COAT BLACK	1
->10231	No8x1/2" FLANGE POZI	2
->10246	NO10*1/2 FLANGE POZI	4