

# Laney

**ALL TUBE 'CLASS A'  
VINTAGE AMPLIFIERS**

## **Service Manual**

**MODELS**

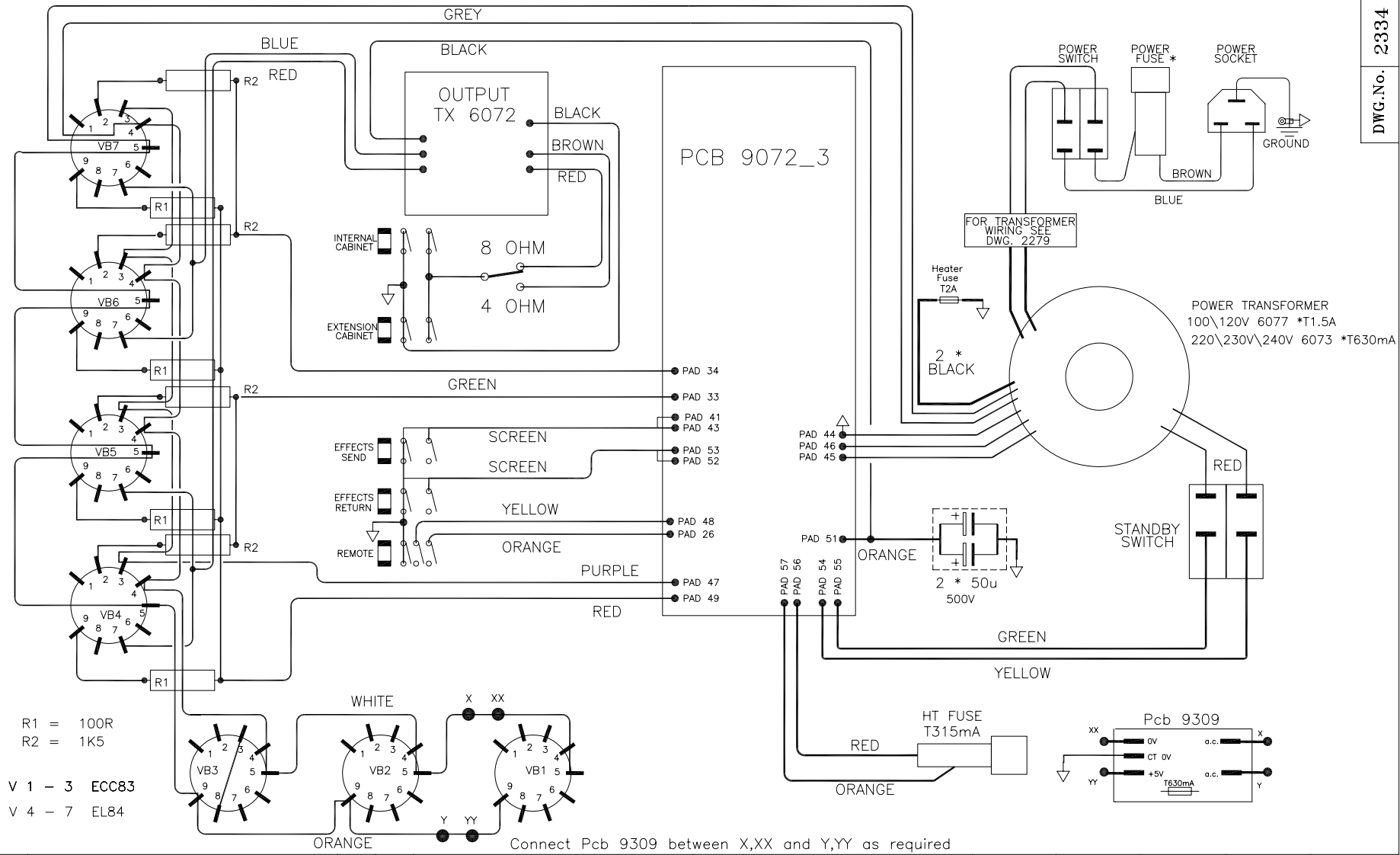
**VC30-210**

**VC30-112**

**VC30-212**

**Laney**  
POWER TO THE MUSIC

[www.laney.co.uk](http://www.laney.co.uk)



R1 = 100R  
R2 = 1K5

V 1 - 3 ECC83  
V 4 - 7 EL84

Connect Pcb 9309 between X,XX and Y,YY as required

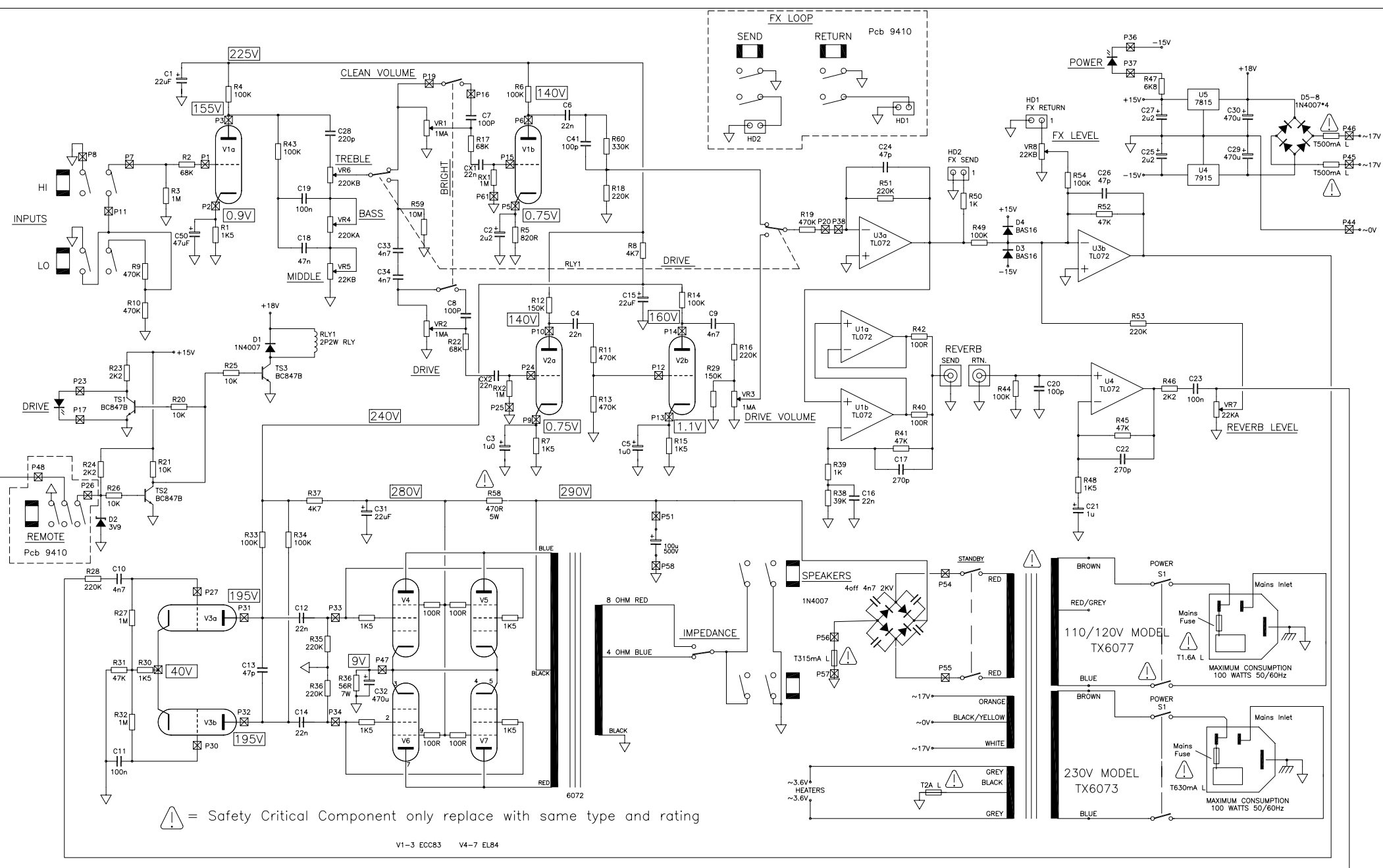
ISSUE	DESCRIPTION	APPD.	DATE
3	Option added for regulated +5V Supply	R.J.F	8/10/98
	Fuse added in CT ground of heaters		
2	HT FUSE CHANGED FROM T500mA TO T315mA SEE CHANGE NOTE 173	S.L.	28/9/98

**LANEY**

TITLE VC30-212  
VC30-210 , VC30-112  
SCHEMATIC DIAGRAM  
PART No

DRAWN	TRACED	CHECKED	APPROVED	DATE
S.L.				11/10/94
DRAWING No.		2334		





⚠ = Safety Critical Component only replace with same type and rating

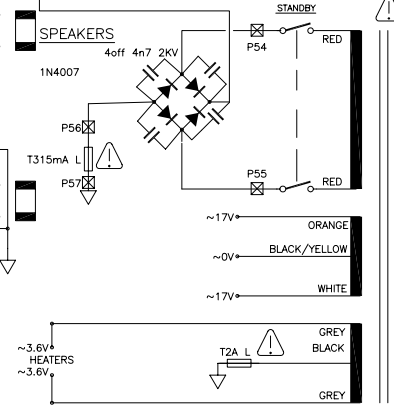
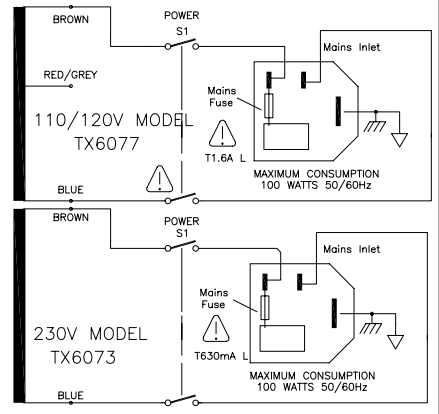
V1-3 ECC83 V4-7 EL84

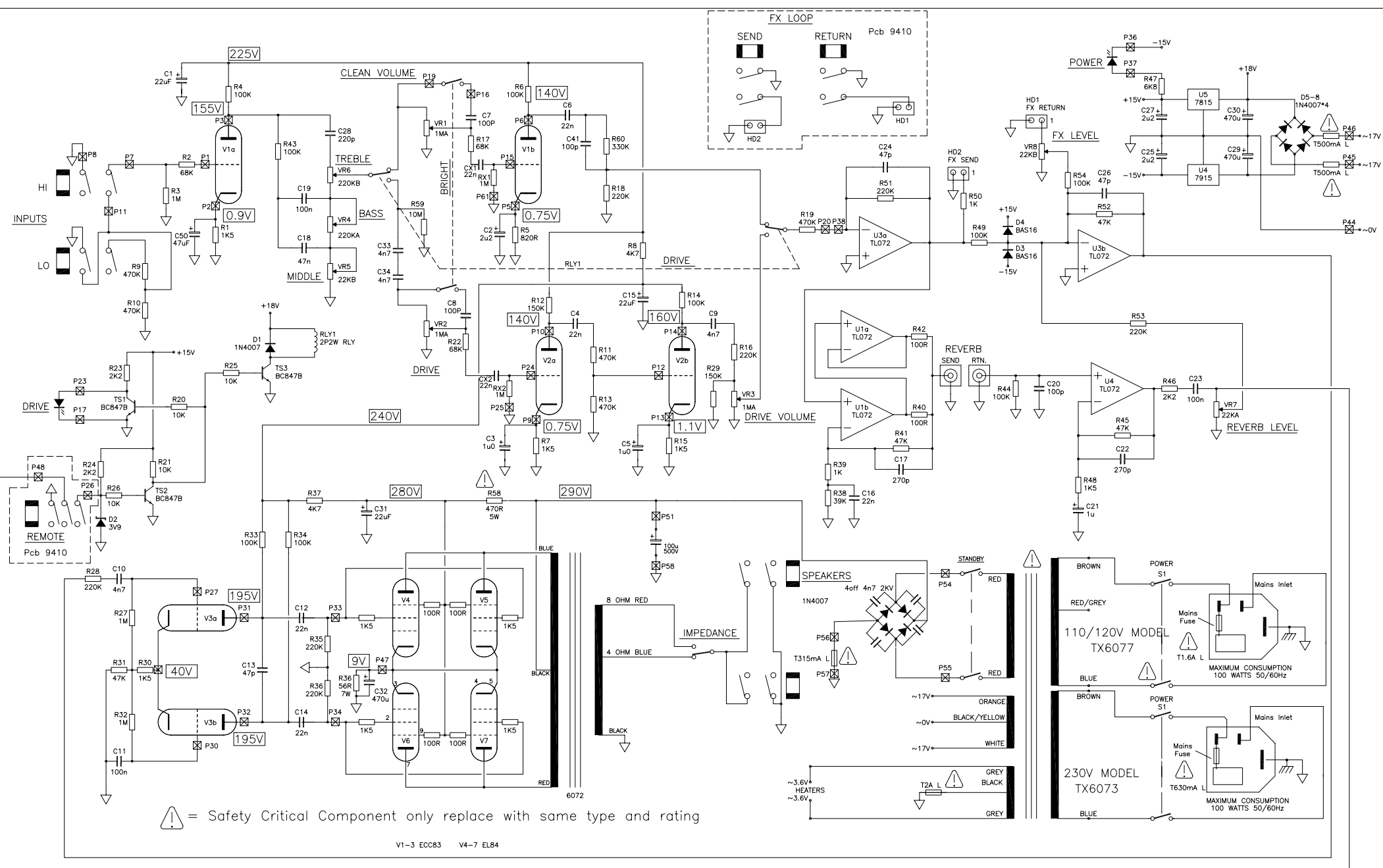
ISSUE	DESCRIPTION	APPD.	DATE
6	115V Mains fuse changed from 1.5A to 1.6A	RJF	17/5/5
5	Updated for 2005 Approvals	RJF	22/3/5
4	Added CX1,CX2,RX1,RX2. Changed C50 from 1u to 47uF	RST	21/04/04

**LANEY**

TITLE VC30-212  
VC30-210 , VC30-112  
PCB 9072\_7  
PART No

DRAWN	TRACED	CHECKED	APPROVED	DATE
D.E.H.				20/06/95
DRAWING No.			2401	



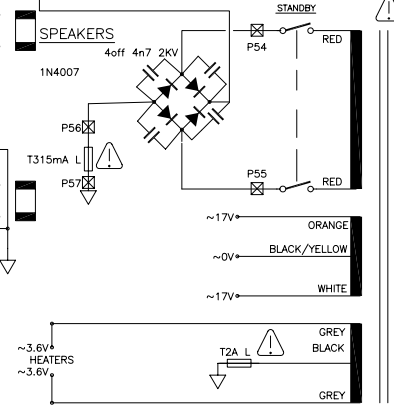
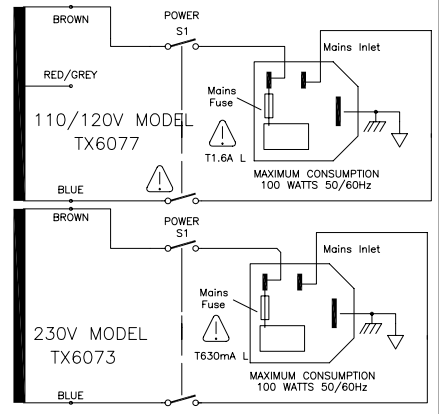


ISSUE	DESCRIPTION	APPD.	DATE
6	115V Mains fuse changed from 1.5A to 1.6A	RJF	17/5/5
5	Updated for 2005 Approvals	RJF	22/3/5
4	Added CX1,CX2,RX1,RX2. Changed C50 from 1u to 47uF	RST	21/04/04

**LANEY**

TITLE	VC30-212 VC30-210 , VC30-112 PCB 9072_7 PART No
-------	--

DRAWN	TRACED	CHECKED	APPROVED	DATE
D.E.H.				20/06/95
DRAWING No.			2401	





# VC30-210 SPARE PARTS LIST

# Laney

Model No. <b>VC30-210</b>				
SPARES ITEM		DESCRIPTION	PART No.	
Mains Transformer	100V	VC30 TI-037585 110-120V Mains	006077	
	120V	VC30 TI-037585 110-120V Mains	006077	
	230V	VC30/LC30 TI-037586 230V Mains	006073	
Output Transformer		VC30 Output TX 30W	006072	
Reverb Unit		Large Reverb Unit	10021	
Switch	Power	5A DPDT Rocker Switch	530027	
	Standby	5A DPDT Rocker Switch	530027	
	Bright	5A DPDT Rocker Switch	530027	
	Drive	SPST Mini Rocker	005560	
	Spk. Imp.	SPDT Mini Rocker	005064	
Mains Fuse	110-120V	T1.5A Spiral wound 20mm	005519	
	220-240V	T630mA Spiral wound 20mm	005547	
Corner	Front	Stainless Steel	10049	
	Back	Stainless Steel	10048	
Jack Sockets		1/4 Jack Socket - Mono - Gold	005096	
		1/4 Jack Socket PCB Mount	005002	
PCB Complete	9072	Pre-Amp PCB Complete	60002	
	Pots	VR1/2/3	1M Log 6mm Spline	004070
		VR4	220K Log 6mm Spline	004078
		VR5/7/8	22K Lin 6mm Spline	004061
		VR6	220K Lin 6mm Spline	004065
9410	Fx send/return PCB Complete	60048		
Badge		140mm Laney Badge	10057	
Fascia Panel		VC30-210 Fascia	8M-8520	
Control Knob		Large Chicken Head	005627	
Handle		Leather Strap Handle	10101	
Loudspeaker		10" Jensen C10Q16	51900	
Mains Inlet Socket		IEC Fused	005005	
HT Fuse Carrier		HT Fuse Carrier	005502	
HT Fuse		T315mA Spiral wound 20mm	005102	
Tubes	1	EL84 Matched Quad Set	005562	
	2	ECC83 Hi-Grade	005570	
	3	ECC83 STD	005548	
Tube Base		Ceramic Base socket B9A	005577	
Mains Lead		Country Dependant		
Foot Switch		Foot Switch	FS2	
Foot Switch Jack Socket		Stereo Jack Socket PCB Mount	005003	
Phono sockets		Phono Socket Single Skeleton	005081	
Feet		Screw-on Rubber Feet	10059	
Cabinet Minus Loudspeaker		Carcase plus fittings-VC30 - 210	80005	
Capacitor		100UF 500V Electrolytic Capacitor	002032	
Manual		VC30 User Manual	10910	
Heater Fuse		T2A Spiral wound 20mm	005526	

# VC30-112 SPARE PARTS LIST

# Laney

Model No. <b>VC30-112</b>				
SPARES ITEM		DESCRIPTION	PART No.	
Mains Transformer	100V	VC30 TI-037585 110-120V Mains	006077	
	120V	VC30 TI-037585 110-120V Mains	006077	
	230V	VC30/LC30 TI-037586 230V Mains	006073	
Output Transformer		VC30 Output TX 30W	006072	
Reverb Unit		Large Reverb Unit	10021	
Switch	Power	5A DPDT Rocker Switch	530027	
	Standby	5A DPDT Rocker Switch	530027	
	Bright	5A DPDT Rocker Switch	530027	
	Drive	SPST Mini Rocker	005560	
	Spk. Imp.	SPDT Mini Rocker	005064	
Mains Fuse	110-120V	T1.5A Spiral wound 20mm	005519	
	220-240V	T630mA Spiral wound 20mm	005547	
Corner	Front	Stainless Steel	10049	
	Back	Stainless Steel	10048	
Jack Sockets		1/4 Jack Socket - Mono - Gold	005096	
		1/4 Jack Socket PCB Mount	005002	
PCB Complete	9072	Pre-Amp PCB	60002	
	Pots	VR1/2/3	1M Log 6mm Spline	004070
		VR4	220K Log 6mm Spline	004078
		VR5/7/8	22K Lin 6mm Spline	004061
		VR6	220K Lin 6mm Spline	004065
	9410	Fx send/return PCB	60048	
Badge		140mm Laney Badge	10057	
Fascia Panel		VC30-112 Fascia	8M-8520	
Control Knob		Large Chicken Head	005627	
Handle		Leather Strap Handle	10101	
Loudspeaker		12" Celestion 70 Eighty 16 Ohm	51205	
Mains Inlet Socket		IEC Fused	005005	
HT Fuse Carrier		HT Fuse Carrier	005502	
HT Fuse		T315mA Spiral wound 20mm	005102	
Tubes	1	EL84 Matched Quad Set	005562	
	2	ECC83 Hi-Grade	005570	
	3	ECC83 STD	005548	
Tube Base		Ceramic Base socket B9A	005577	
Mains Lead		Country Dependant		
Foot Switch		Foot Switch	FS2	
Foot Switch Jack Socket		Stereo Jack Socket PCB Mount	005003	
Phono sockets		Phono Socket Single Skeleton	005081	
Feet		Screw-on Rubber Feet	10059	
Cabinet Minus Loudspeaker		Carcase plus fittings - VC30-112	80001	
Capacitor		100UF 500V Electrolytic Capacitor	002032	
Manual		VC30 User Manual	10910	
Heater Fuse		T2A Spiral wound 20mm	005526	



**VC30-212 SPARE PARTS LIST**

**Laney**

Model No. <b>VC30-212</b>				
SPARES ITEM		DESCRIPTION	PART No.	
Mains Transformer	100V	VC30 TI-037585 110-120V Mains	006077	
	120V	VC30 TI-037585 110-120V Mains	006077	
	230V	VC30/LC30 TI-037586 230V Mains	006073	
Output Transformer		VC30 Output TX 30W	006072	
Reverb Unit		Large Reverb Unit	10021	
Switch	Power	5A DPDT Rocker Switch	530027	
	Standby	5A DPDT Rocker Switch	530027	
	Bright	5A DPDT Rocker Switch	530027	
	Drive	SPST Mini Rocker	005560	
	Spk. Imp.	SPDT Mini Rocker	005064	
Mains Fuse	110-120V	T1.5A Spiral wound 20mm	005519	
	220-240V	T630mA Spiral wound 20mm	005547	
Corner	Front	Stainless Steel	10049	
	Back	Stainless Steel	10048	
Jack Sockets		1/4 Jack Socket - Mono - Gold	005096	
		1/4 Jack Socket PCB Mount	005002	
PCB Complete	9072	Pre-Amp PCB Complete	60002	
	Pots	VR1/2/3	1M Log 6mm Spline	004070
		VR4	220K Log 6mm Spline	004078
		VR5/7/8	22K Lin 6mm Spline	004061
		VR6	220K Lin 6mm Spline	004065
	9410	Fx send/return PCB Complete	60048	
Badge		140mm Laney Badge	10057	
Fascia Panel		VC30-212 Fascia	8M-8520	
Control Knob		Large Chicken Head	005627	
Handle		Leather Strap Handle	10101	
Loudspeaker		12" Celestion 70 Eighty 16 Ohm	51205	
Mains Inlet Socket		IEC Fused	005005	
HT Fuse Carrier		HT Fuse Carrier	005502	
HT Fuse		T315mA Spiral wound 20mm	005102	
Tubes	1	EL84 Matched Quad Set	005562	
	2	ECC83 Hi-Grade	005570	
	3	ECC83 STD	005548	
Tube Base		Ceramic Base socket B9A	005577	
Mains Lead		Country Dependant		
Foot Switch		Foot Switch	FS2	
Foot Switch Jack Socket		Stereo Jack Socket PCB Mount	005003	
Phono sockets		Phono Socket Single Skeleton	005081	
Feet		Screw-on Rubber Feet	10059	
Cabinet Minus Loudspeaker		Carcase plus fittings VC30-212	80006	
Capacitor		100UF 500V Electrolytic Capacitor	002032	
Manual		VC30 User Manual	10910	
Heater Fuse		T2A Spiral wound 20mm	005526	