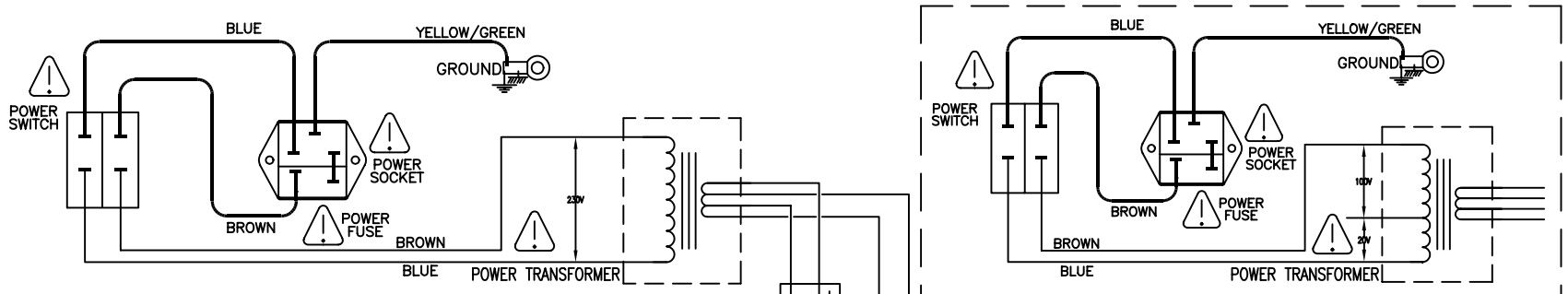
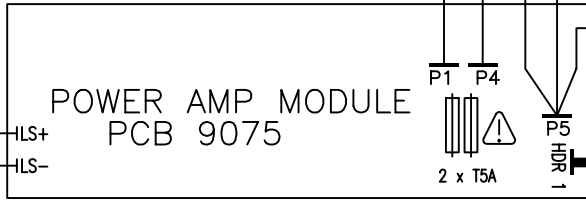
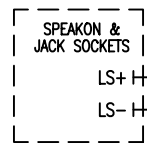
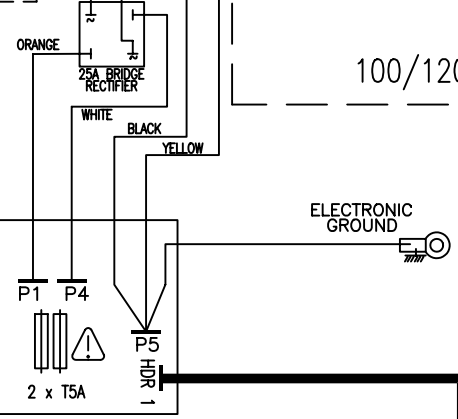
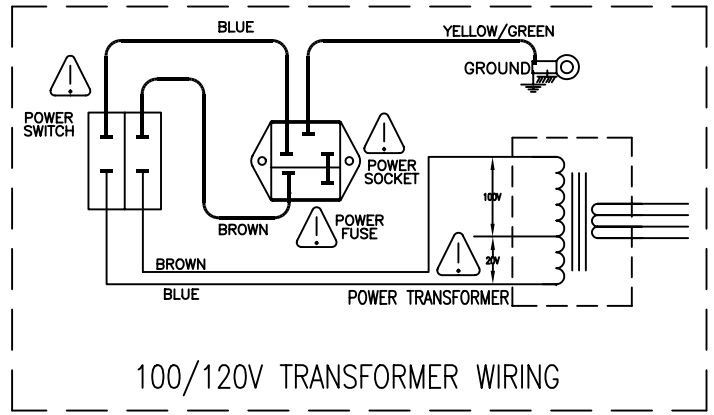


# Laney

**Service Diagrams**

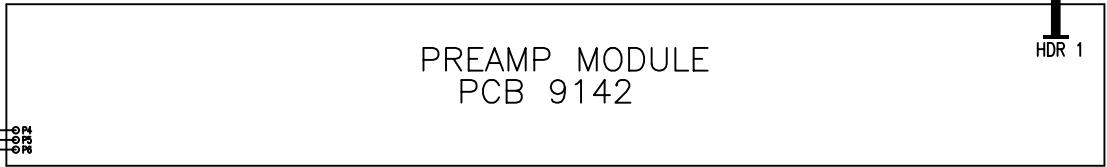


- ⚠ POWER FUSE @ 230V = T3.15A
- ⚠ POWER FUSE @ 115V = T6.3A
- ⚠ POWER TRANSFORMER @ 230V = 6107
- ⚠ POWER TRANSFORMER @ 115V = 6108



⚠ = ONLY REPLACE WITH SAME TYPE AND RATING

EFFECTS (SEND & RETURN)  
CRACK OFF BOARD FROM 9142

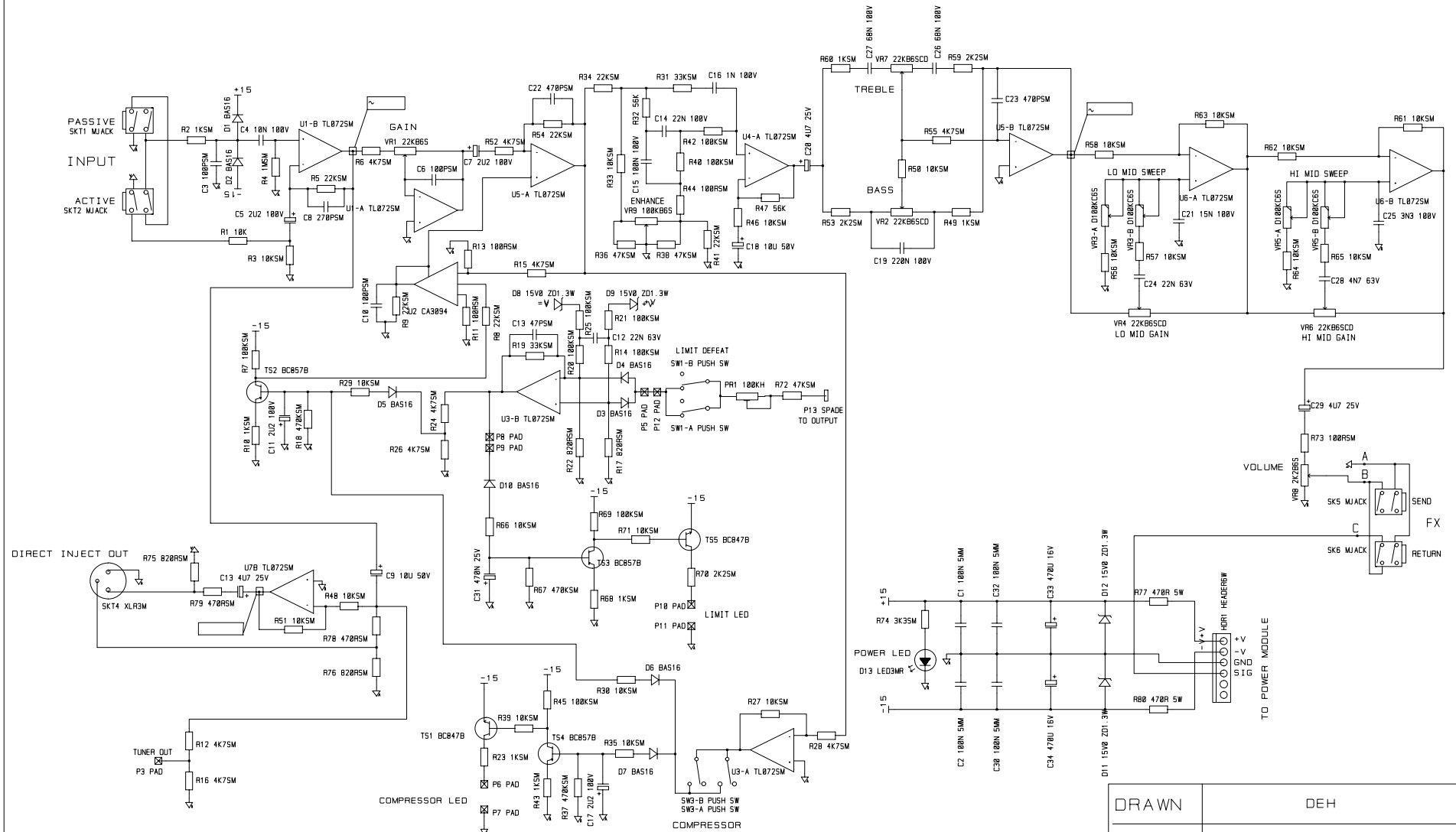


ISSUE	DESCRIPTION	APPD.	DATE

**BLT**  
Industries Ltd.

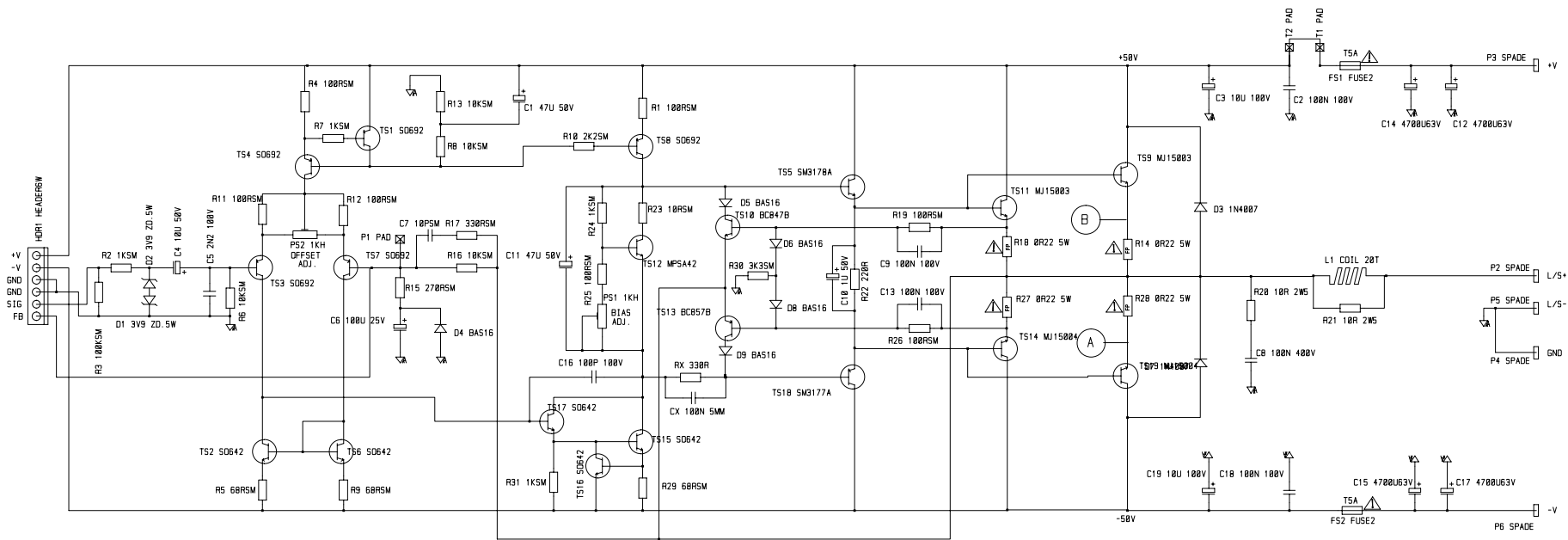
**TITLE**  
RBH800 SERVICE  
DIAGRAM  
PART No

DRAWN	TRACED	CHECKED	APPROVED	DATE
S.L.				16/4/98
DRAWING No.		2808		



DRAWN	DEH
DATE	23/01/98
TITLE	RBW300 PREAMP
DRW. NO.	9142_3





Adjust P51 for 5mV between A+B. No signal. No load.

△ INDICATES SAFETY CRITICAL COMPONENT.  
 MUST ONLY BE REPLACED WITH APPROVED COMPONENT.  
 □ FLAMEPROOF RESISTOR. MUST ONLY BE REPLACED WITH SAME TYPE AND RATING.

DRAWN	DEH
DATE	05/02/96
TITLE	250W OUTPUT MODULE
DRW. NO.	9075_3

ISSUE		30/09/99	11/04/01		
TYPE	CHANGE R15 FROM 470R TO 220R 29/5/96	Rx and Tx added to reduce reduce short circuit	Bias points A + B corrected		