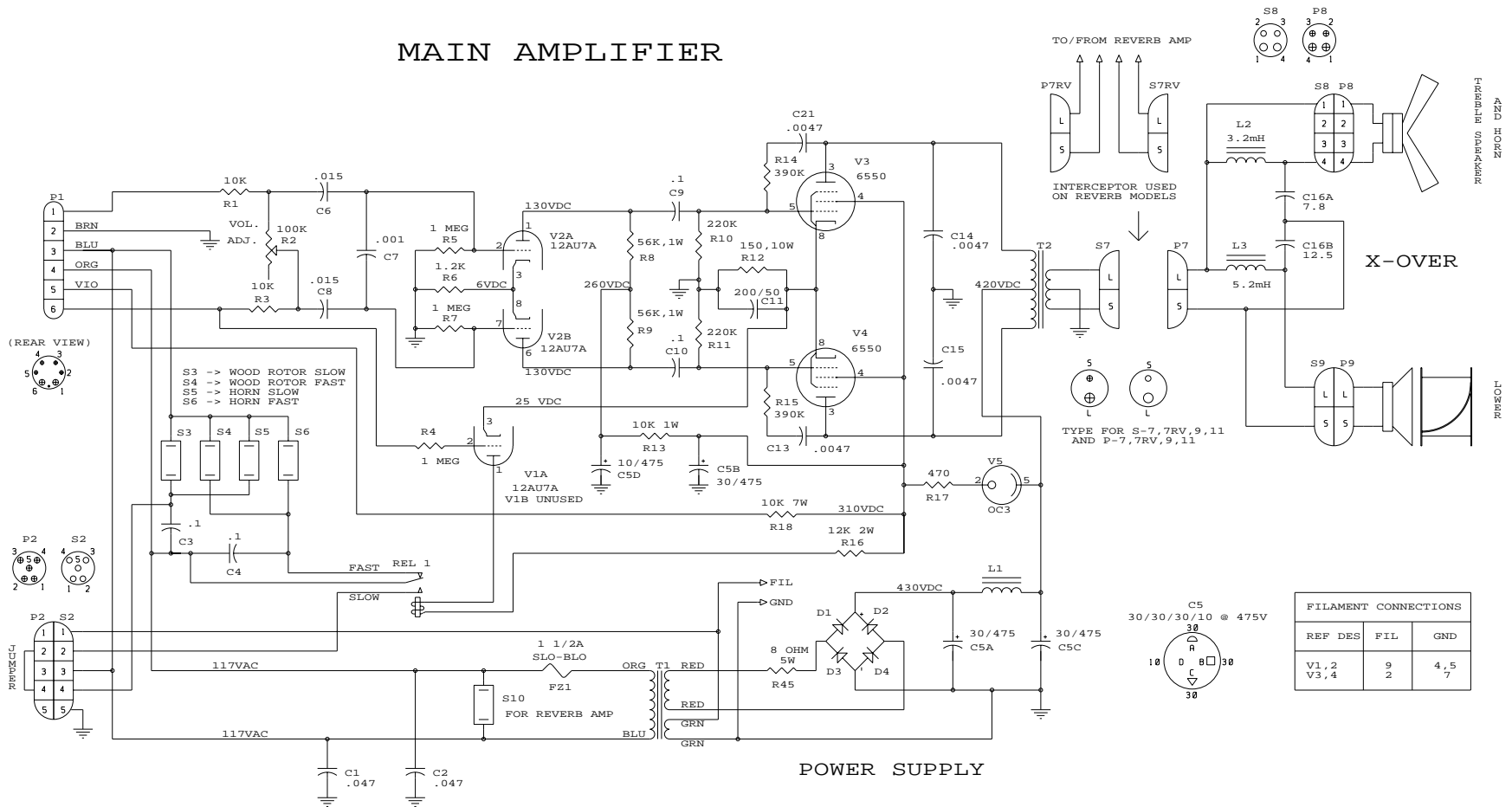


# MAIN AMPLIFIER



Title		
117V TYPE 122 ROTOR AND REVERB AMPLIFIERS		
Size	Document Number	REV
B	----	1.1
Date:	October 25, 1995	Sheet 1 of 2