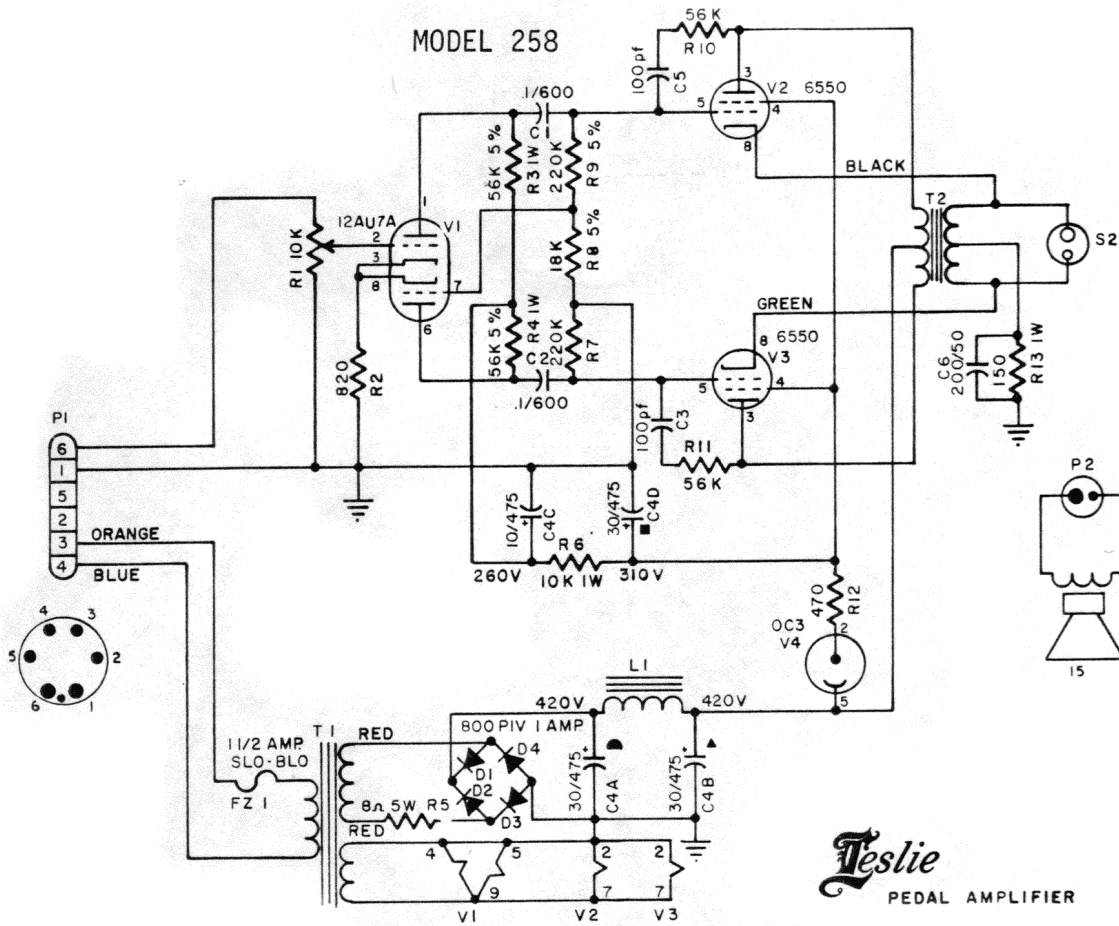
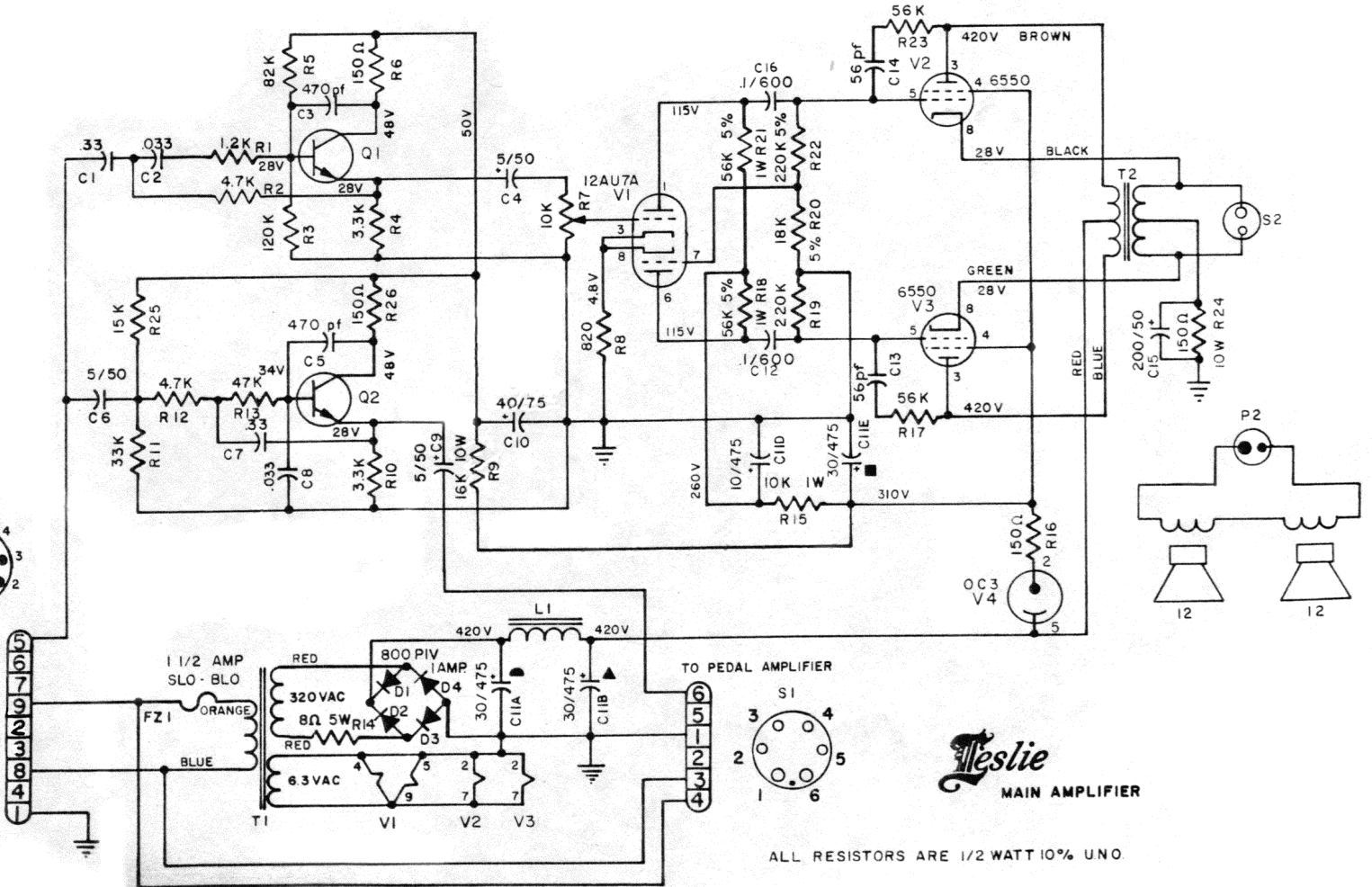


# MODEL 258



*Teslie*  
PEDAL AMPLIFIER

ALL RESISTORS ARE 1/2 WATT 10% U.N.O.



*Teslie*  
MAIN AMPLIFIER

ALL RESISTORS ARE 1/2 WATT 10% U.N.O.