

Figure 4. Circuit Board 020842 Layout (View From Foil Side)

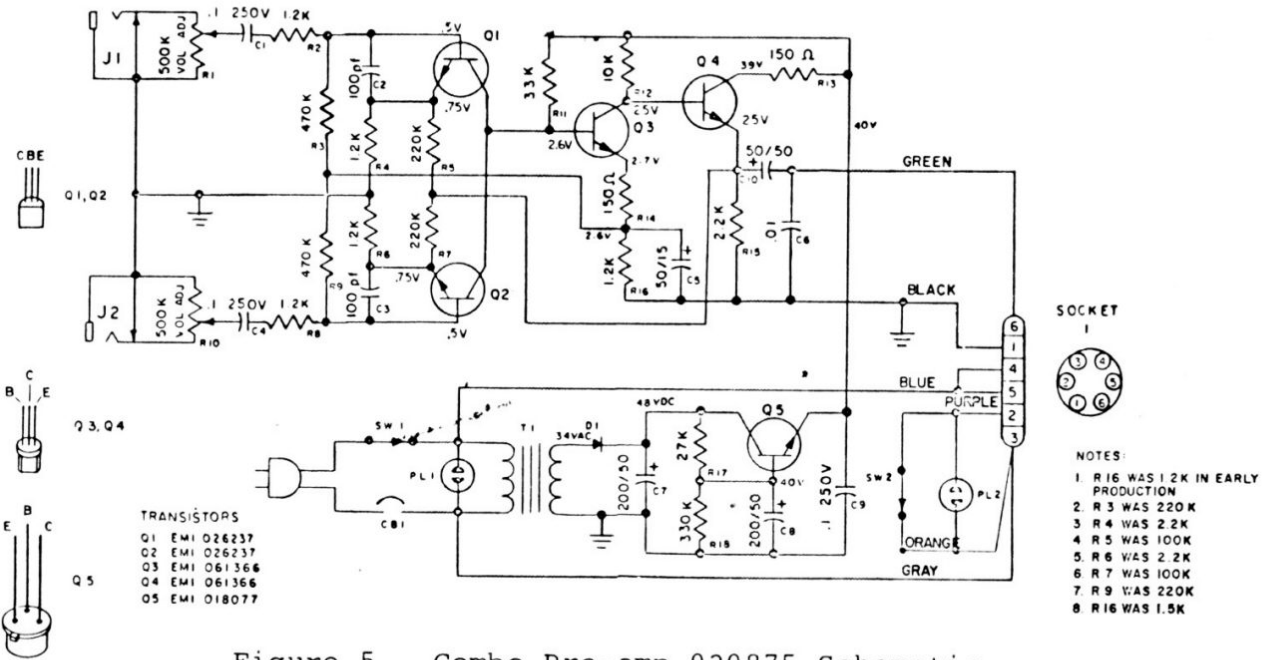


Figure 5. Combo Pre-amp 020875 Schematic

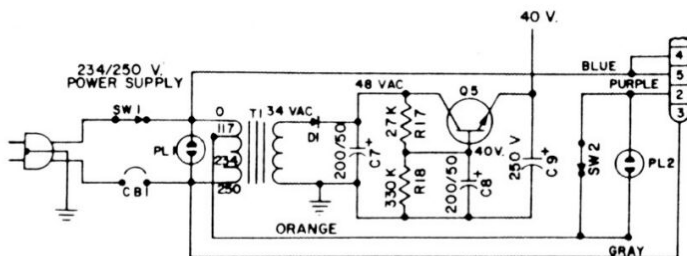


Figure 6. Combo Pre-amp 022624 Schematic