

PRE-AMP II

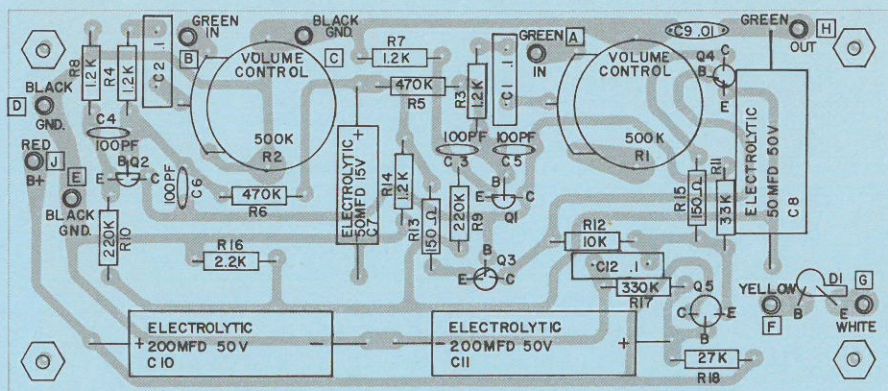


Figure 3. Circuit Board 044446 Part Location
(View from Foil Side)

| Part | Type | Value | Part Number |
|------|---------------|------------------|-------------|
| C1 | Capacitor | 0.1 mfd 200 VDC | 022251 |
| C2 | Capacitor | 0.1 mfd 200 VDC | 022251 |
| C3 | Capacitor | 100 pf, 1000 VDC | 028027 |
| C4 | Capacitor | 100 pf, 1000 VDC | 028027 |
| C5 | Capacitor | 100 pf, 1000 VDC | 028027 |
| C6 | Capacitor | 100 pf, 1000 VDC | 028027 |
| C7 | Capacitor | 50 mfd 15 VDC | 028324 |
| C8 | Capacitor | 50 mfd 50 VDC | 025262 |
| C9 | Capacitor | .01 mfd 1000 VDC | 060467 |
| C10 | Capacitor | 200 mfd 50 VDC | 020081 |
| C11 | Capacitor | 200 mfd 50 VDC | 020081 |
| C12 | Capacitor | 0.1 mfd 200 VDC | 022251 |
| R1 | Potentiometer | 500K | 020370 |
| R2 | Potentiometer | 500K | 020370 |
| R3 | Resistor | 1.2K | 018036 |
| R4 | Resistor | 1.2K | 018036 |
| R5 | Resistor | 470K | 018002 |
| R6 | Resistor | 470K | 018002 |
| R7 | Resistor | 1.2K | 018036 |
| R8 | Resistor | 1.2K | 018036 |
| R9 | Resistor | 220K | 020222 |
| R10 | Resistor | 220K | 020222 |
| R11 | Resistor | 33K | 137767 |
| R12 | Resistor | 10K | 118110 |
| R13 | Resistor | 150 ohms | 024158 |
| R14 | Resistor | 1.2K | 018036 |
| R15 | Resistor | 150 ohms | 024158 |
| R16 | Resistor | 2.2K | 137758 |
| R17 | Resistor | 330K | 020826 |
| R18 | Resistor | 27K | 021535 |
| Q1 | Transistor | MSPS 4382 | 026237 |
| Q2 | Transistor | MSPS 4382 | 026237 |
| Q3 | Transistor | 2N3859A | 061366 |
| Q4 | Transistor | 2N3859A | 061366 |
| Q5 | Transistor | RCA 40361 | 018077 |

All resistors 1/2 watt, 5%, unless otherwise indicated.

Leslie®

SPEAKERS

COMBO PRE-AMP II



KIT 7370 [9370]

FOR USE WITH: One or Two Combo Instruments
LESLIE Speaker Model 825
[LESLIE Speaker Models 730, 760]*

INTRODUCTION

The Combo Pre-amp II is designed to amplify and enhance the output from one or two sound sources, such as a combo organ and guitar (or a combo organ with two output channels). Two input channels, each with its own jack and volume control, are provided. Either can be used alone.

The power switch is located near the upper left corner of the pre-amp chassis (figure 2). It controls power to both the pre-amp and the LESLIE speaker. Power to the instrument attached to the pre-amp must be controlled at the instrument itself.

The small red button identified as BREAKER restores pre-amp operation in the event of a temporary overload. The circuit breaker acts like a fuse, to protect the circuitry. Do not reset the circuit breaker after an overload until the cause of the trouble has been found and corrected.

The two foot-operated switches on the rubber pad control the speed of the tremolo rotors in the LESLIE speaker. The SLOW switch (left) selects between slow (chorale) and off. The FAST (right) switch selects between fast (tremolo) speed and the operation for which the SLOW switch is set.

To alternate between slow and fast tremolo, first press the SLOW switch until the corresponding indicator (amber) comes on. Once the SLOW switch is actuated, pressing the FAST switch on or off varies the speed between slow and fast. To stop the tremolo completely, press the SLOW switch until the amber indicator goes out; then press the FAST switch to off (the red indicator goes out).

KIT CONTENTS

| 7370 | | 9370* |
|--------|---------------------------------------------|--------|
| 044370 | Combo Pre-amp Assembly, 117-V, 50/60-Hz | — |
| — | Combo Pre-amp Assembly, 220/240-V, 50/60-Hz | 044388 |
| 021600 | Cable Assembly, 9-conductor (30-ft) | 021600 |
| 034777 | Adapter, power cable, 117-V | — |
| 053025 | Oiler | 053025 |

INSTALLATION

— CAUTION —

Due to the presence of electrical potential and the danger of moving mechanical parts, installation procedures or adjustments requiring work inside the LESLIE speaker cabinet or the organ console should be performed **ONLY BY** a service man authorized by the dealer or factory to perform such work.

(NOTE: Locate the pre-amp where the musician can easily reach it with his foot.)

1. Connect the cable from the instrument to the CHANNEL 1 or CHANNEL 2 jack at the rear of the pre-amp.
2. Prepare the LESLIE speaker as described in its own manual.
3. Plug the cable from the LESLIE speaker into the SPEAKER socket on the combo pre-amp.
4. Connect the line cord to an AC outlet of the proper voltage.
5. Push the POWER on-off switch until the pilot lamp lights, indicating that the pre-amp is turned on.
6. Press the SLOW foot switch until the amber indicator lights.
7. Press the FAST foot switch for fast or slow tremolo as desired.
8. At the LESLIE speaker amplifier set the volume control fully counter-clockwise; then move it clockwise for about 1/3 of the total rotation.
9. Play a loud chord on the instrument and, while doing so, increase the volume of channels 1 and 2 of the pre-amp until distortion is heard. Then reduce the pre-amp volume by about one and a half numbers.
10. While playing the same chord, slowly increase the volume at the LESLIE speaker until distortion is heard. Then reduce the volume until distortion disappears.

Installation is now complete.

*220/240V model

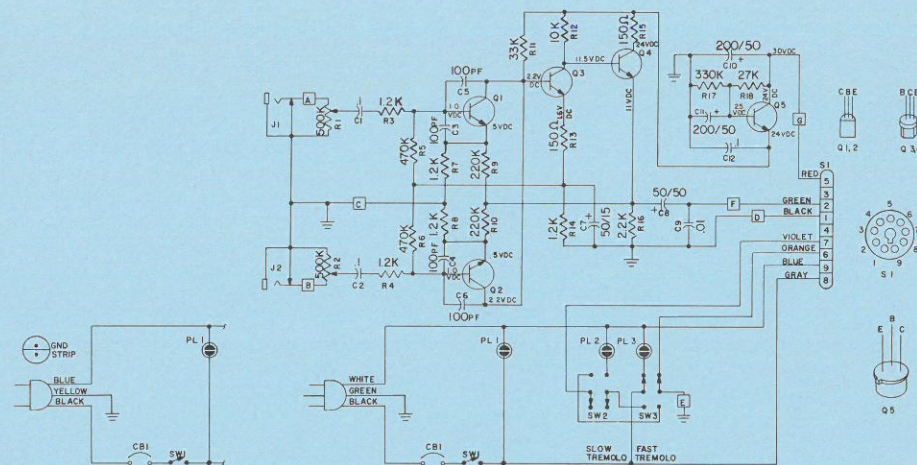


Figure 1. Combo Pre-amp II Schematic

PARTS LIST: COMBO PRE-AMP ASSEMBLY

| 044370 | | 044388* |
|--------|-------------------------------------|---------|
| 044446 | Circuit Board Assembly | 044446 |
| 044511 | Socket Assembly | 044511 |
| 039636 | Cable with Plug | 129950 |
| 039594 | Cover | 039594 |
| 014720 | Pilot Light, red (PL1, PL3) | 014738 |
| 023085 | Pilot Light, amber (PL2) | 023077 |
| 039602 | Phone Jack (J1, J2) | 039602 |
| 020560 | Circuit Breaker (CB1) | 020560 |
| 026435 | Switch, SPST, pushbutton (SW1) | 026435 |
| 039610 | Switch, DPDT, pushbutton (SW2, SW3) | 039610 |
| 020354 | Knob | 020354 |
| 044230 | Rubber Cover, 6-3/4 x 9-1/2 | 044230 |

GUARANTEE: One year from date of purchase, as stated on the guarantee card.

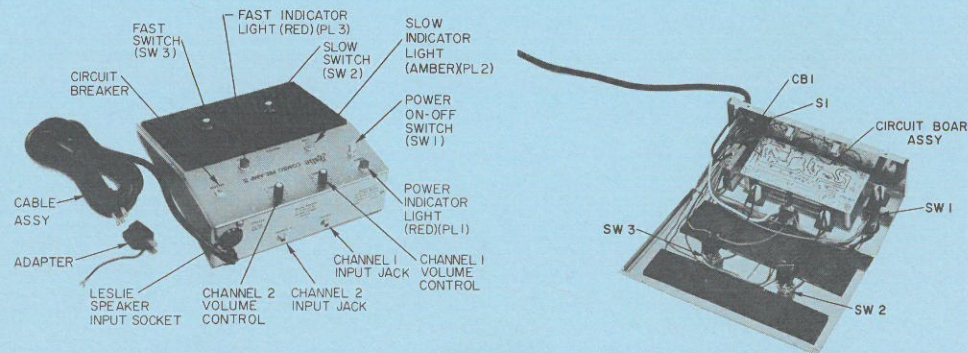


Figure 2. Part Identification