

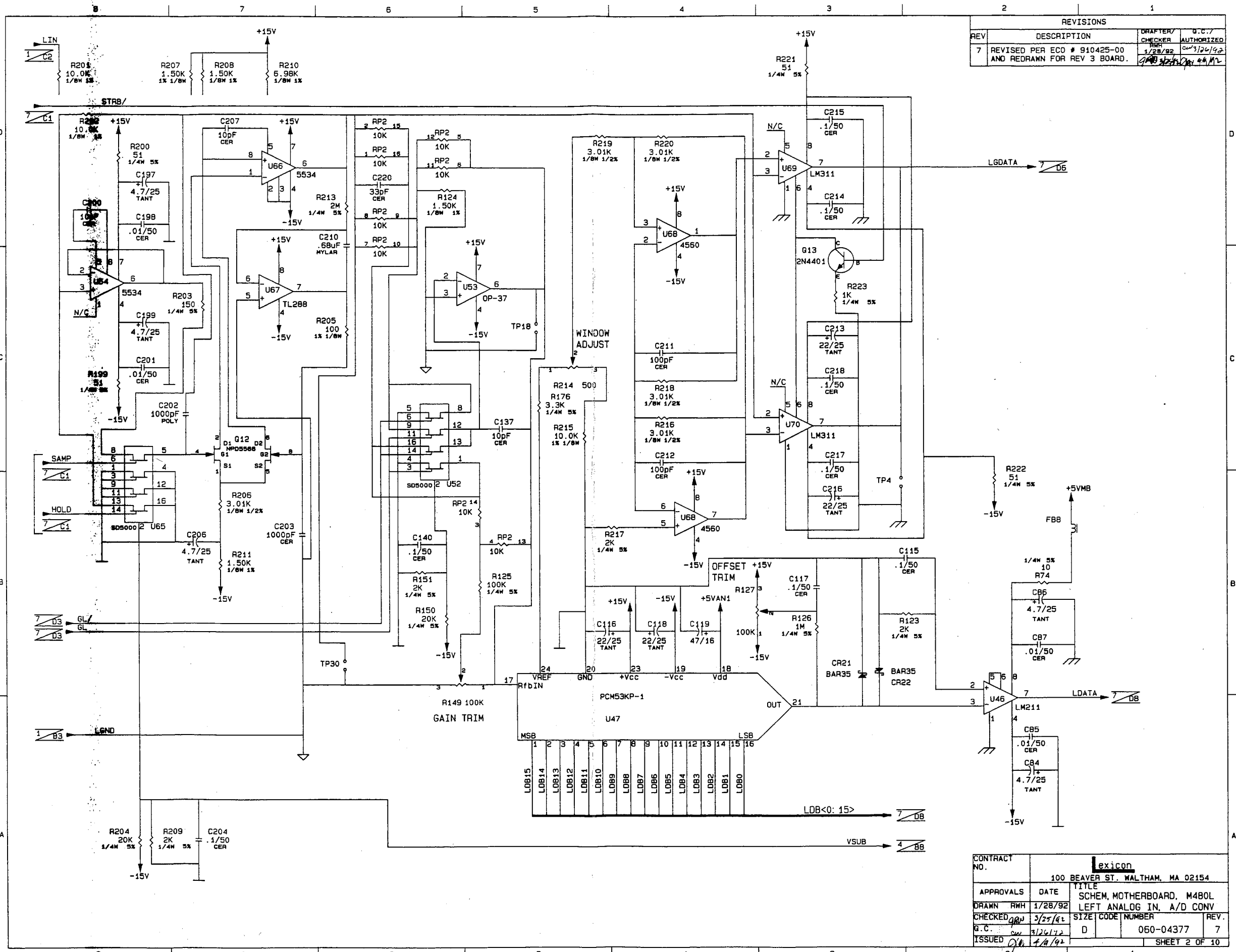
NOTE:  
 INPUT TRANSFORMERS ARE A USER INSTALLED  
 OPTION. SEE OWNERS MANUAL FOR INSTALLATION INSTRUCTIONS.

REVISIONS			
REV	DESCRIPTION	DRAFTER/ CHECKER	AUTHORIZED
7	REVISED PER ECO # 910425-00 AND # 920120-01 AND REDRAWN REV 3 BOARD.	RWH 3/25/92	3/26/92 JW + JAM

- NOTES
1. UNLESS OTHERWISE INDICATED, RESISTORS ARE 5%, 1/4W.
  2. UNLESS OTHERWISE INDICATED, CAPACITORS ARE UF/V.
  3. UNLESS OTHERWISE INDICATED, DIODES ARE 1N4148.
  4. ANALOG / DIGITAL CHASSIS ANALOG  
 GROUND / GROUND / CHASSIS / PWR GND
  5. DENOTES SHEET NUMBER AND INTERSECT COORDINATE.
  6. ON BOARD CONNECTION-TO  
 ON BOARD CONNECTION-FROM  
 SOLDER CONNECTION
  7. REFERENCE DESIGNATORS, LAST USED:  
 C236, CR32, DS1, E14, F2, FB16, J9, L1,  
 LPF6, OPA4, P9, Q13, R239, RP4, S1, T4,  
 TP31, U70, VR3, W15.

DOCUMENT CONTROL BLOCK: #060-04377	
SHEET NUMBER	REVISION NUMBER
1 of 10	7
2 of 10	7
3 of 10	7
4 of 10	7
5 of 10	7
6 of 10	7
7 of 10	7
8 of 10	7
9 of 10	7
10 of 10	7

CONTRACT NO.	Lexicon 100 BEAVER ST. WALTHAM, MA 02154		
APPROVALS	DATE	TITLE	
	1/28/92	SCHEM, MOTHERBOARD, M480L	
DRAWN	1/28/92	LEFT ANALOG IN	
CHECKED	3/25/92	SIZE	CODE NUMBER
D.C.	3/26/92	D	060-04377 7
ISSUED	4/9/92	SHEET 1 OF 10	



REVISIONS			
REV	DESCRIPTION	DRAWN/CHECKER	DATE
7	REVISED PER ECO # 910425-00 AND REDRAWN FOR REV 3 BOARD.	RWH	1/28/92
			3/26/92

CONTRACT NO.		Lexicon	
		100 BEAVER ST. WALTHAM, MA 02154	
APPROVALS	DATE	TITLE	
DRAWN RWH	1/28/92	SCHEM, MOTHERBOARD, M480L	
CHECKED gaw	3/25/92	LEFT ANALOG IN, A/D CONV	
G.C.C. cur	3/26/92	SIZE	CODE NUMBER
ISSUED gaw	4/1/92	D	060-04377
			7
			SHEET 2 OF 10