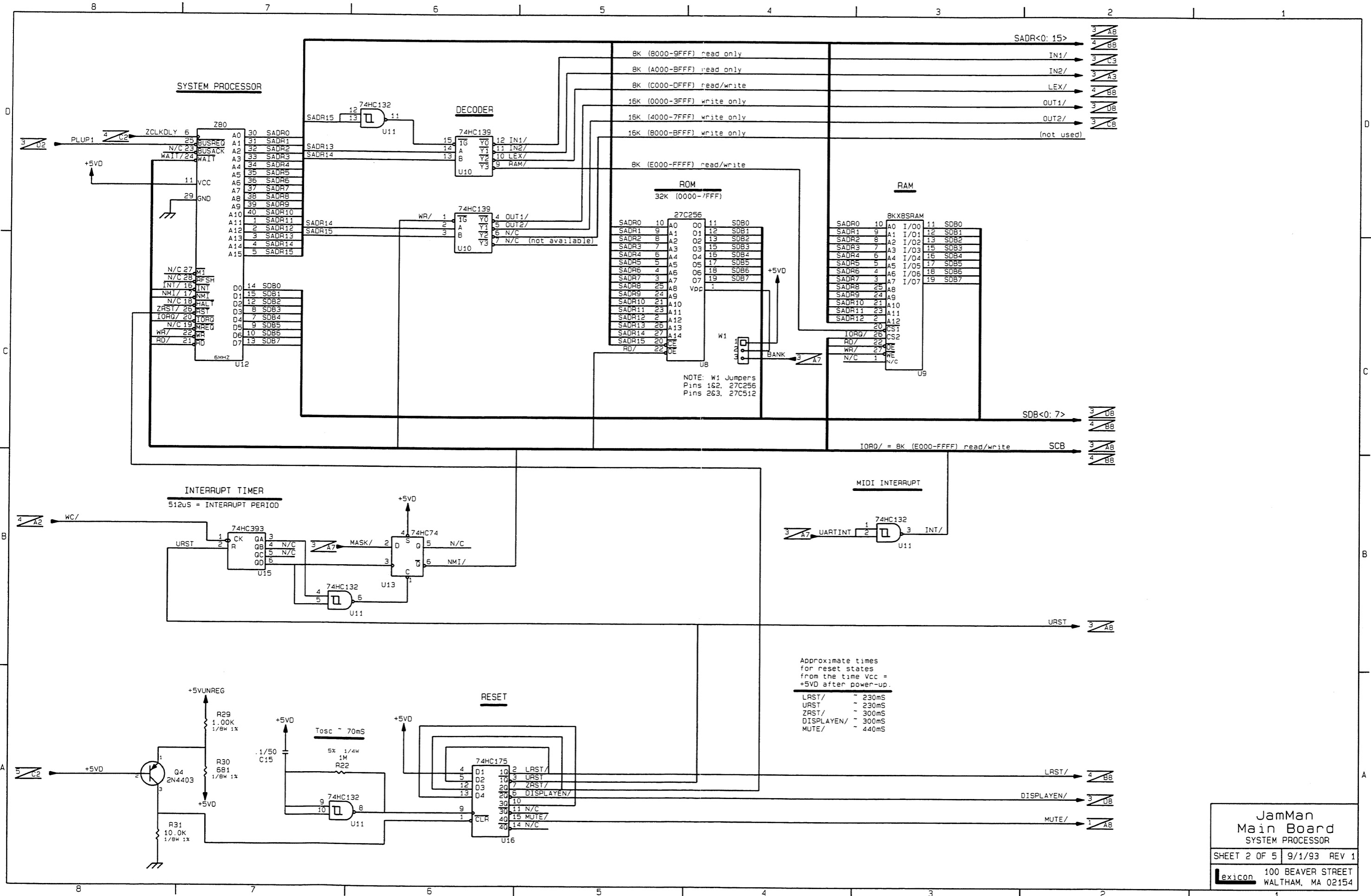


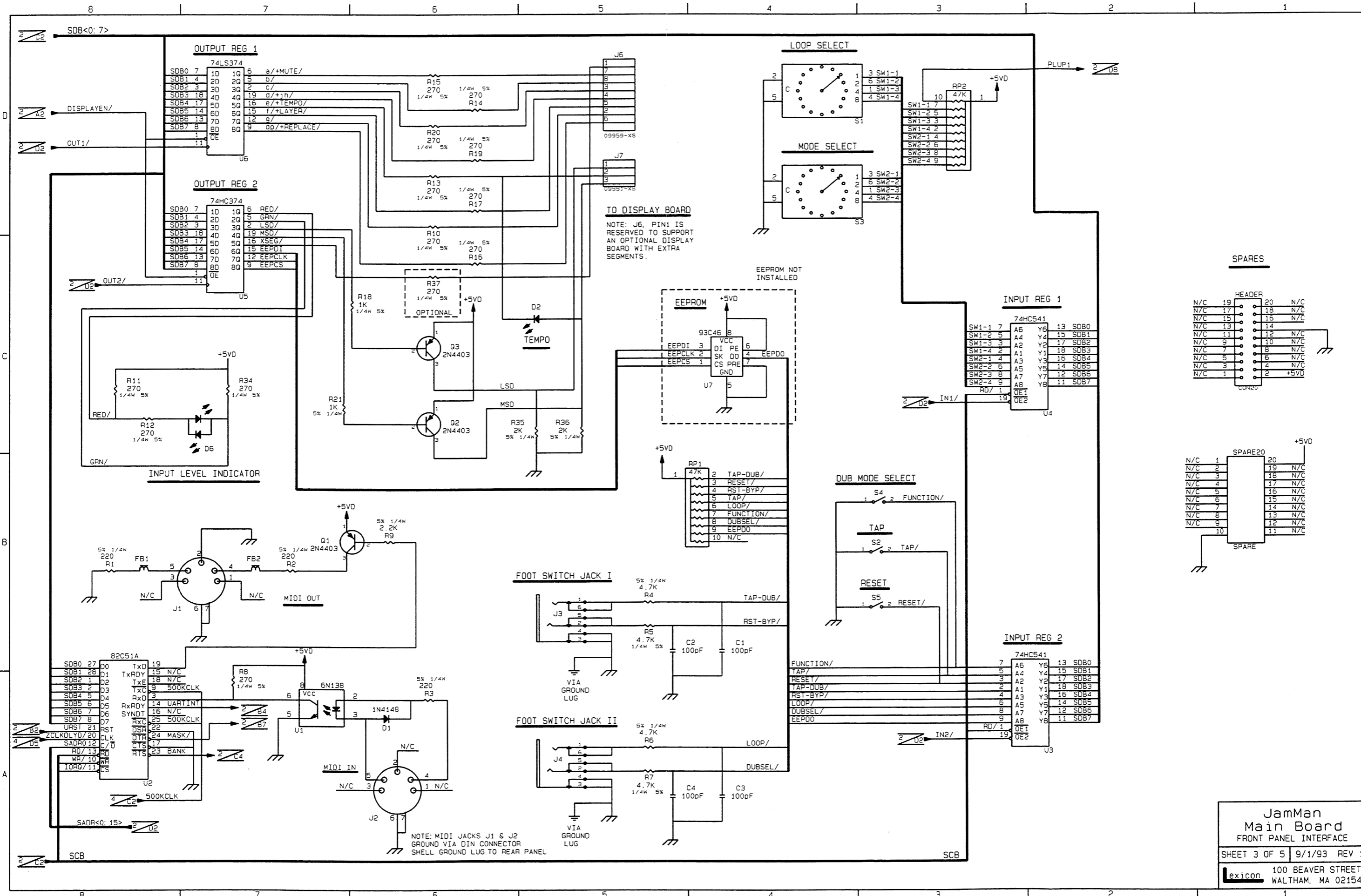
JamMan  
Main Board  
ANALOG AND CONVERTER  
SHEET 1 OF 5 | 9/1/93 REV 1  
lexicon 100 BEAVER STREET  
WALTHAM, MA 02154



JamMan  
Main Board  
SYSTEM PROCESSOR

SHEET 2 OF 5 9/1/93 REV 1

lexicon 100 BEAVER STREET  
WALTHAM, MA 02154



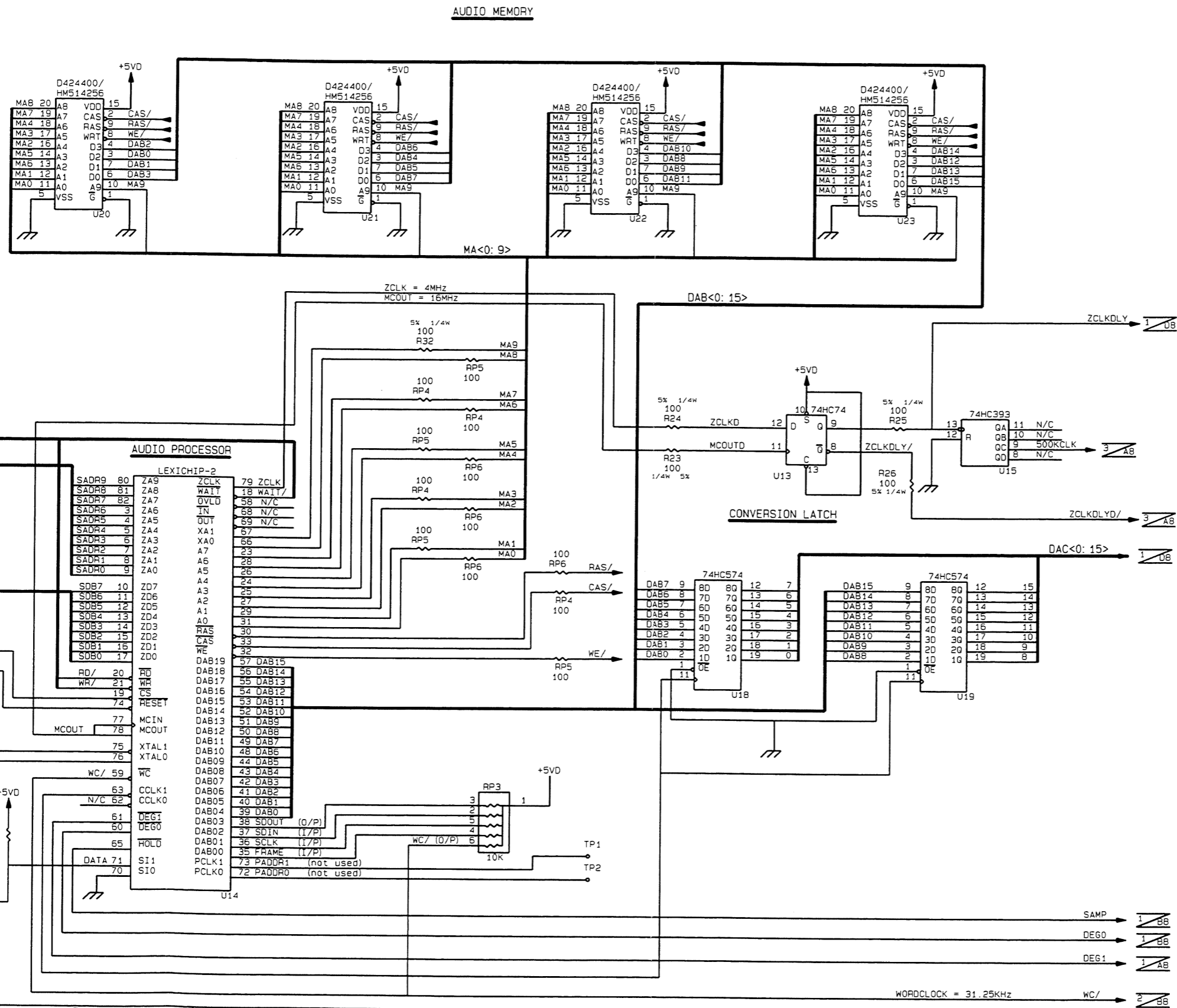
TO DISPLAY BOARD  
NOTE: J6, PIN1 IS RESERVED TO SUPPORT AN OPTIONAL DISPLAY BOARD WITH EXTRA SEGMENTS.

EEPROM NOT INSTALLED

NOTE: MIDI JACKS J1 & J2 GROUND VIA DIN CONNECTOR SHELL GROUND LUG TO REAR PANEL

JamMan  
Main Board  
FRONT PANEL INTERFACE  
SHEET 3 OF 5 9/1/93 REV 1  
Lexicon 100 BEAVER STREET  
WALTHAM, MA 02154

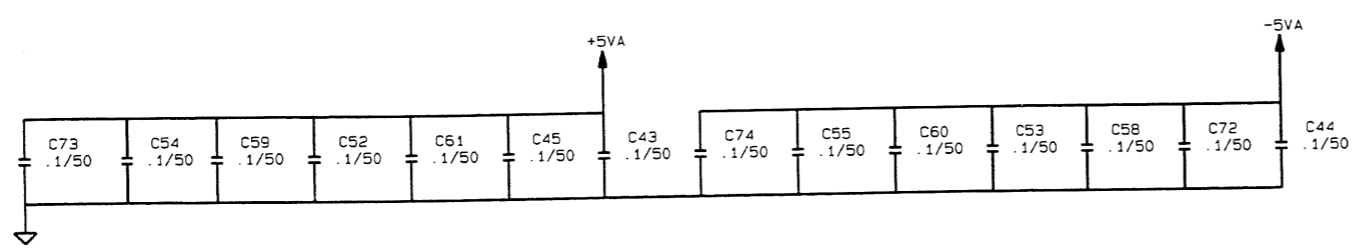
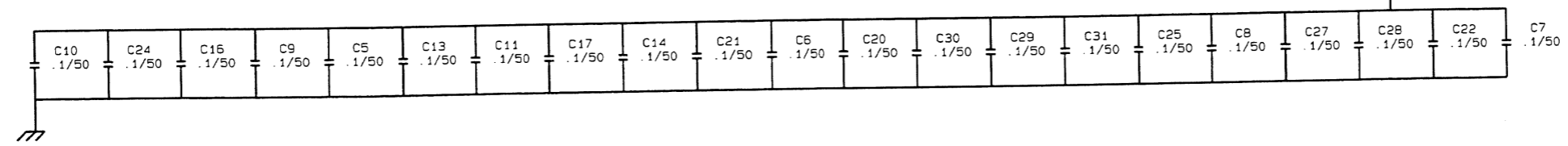
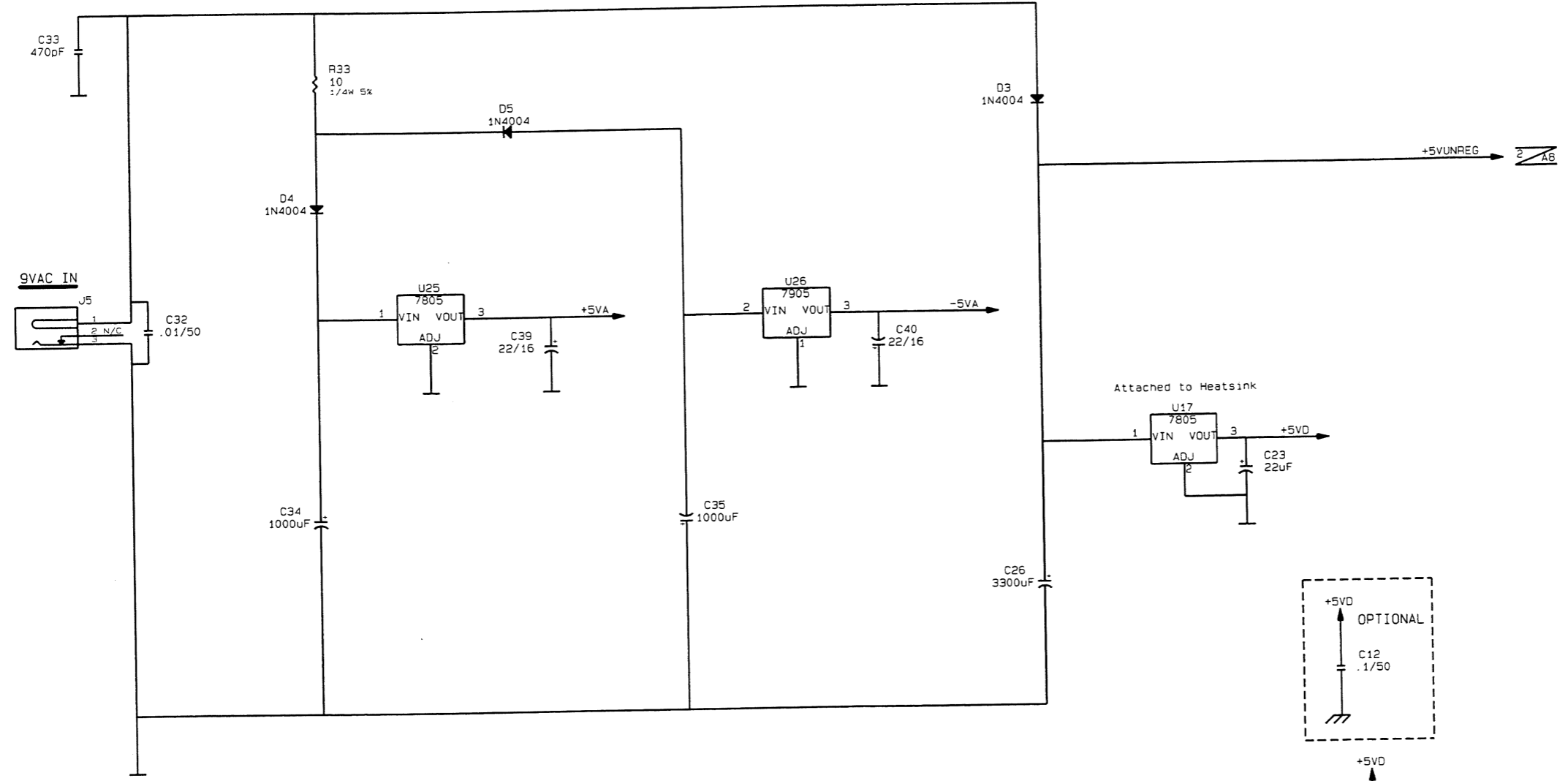
NOTE: SUPPORT FOR 256K OR 1M BY 16 bit DRAM OPTION is provided by using four 256K x 4 bit (514256) or four 1M x 4 bit (424400) ZIPS. (PIN 10 IS A NOCONNECT ON THE 256K X 4 PART).



JamMan  
Main Board  
LEXICHIP, AUDIO PROCESSOR  
SHEET 4 OF 5 | 9/1/93 REV 1  
lexicon 100 BEAVER STREET  
WALTHAM, MA 02154

ANALOG POWER

DIGITAL POWER

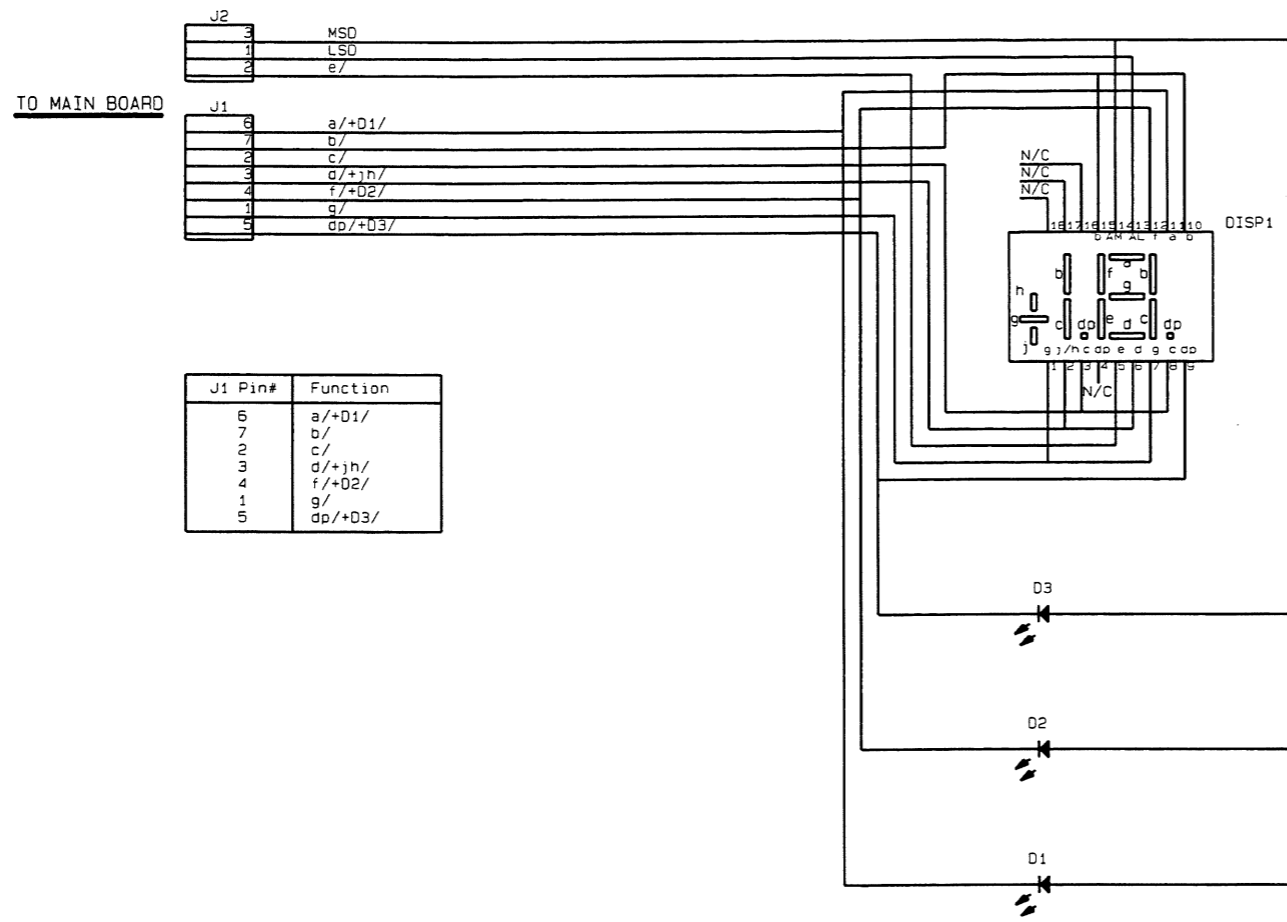


JamMan  
Main Board  
POWER SUPPLY

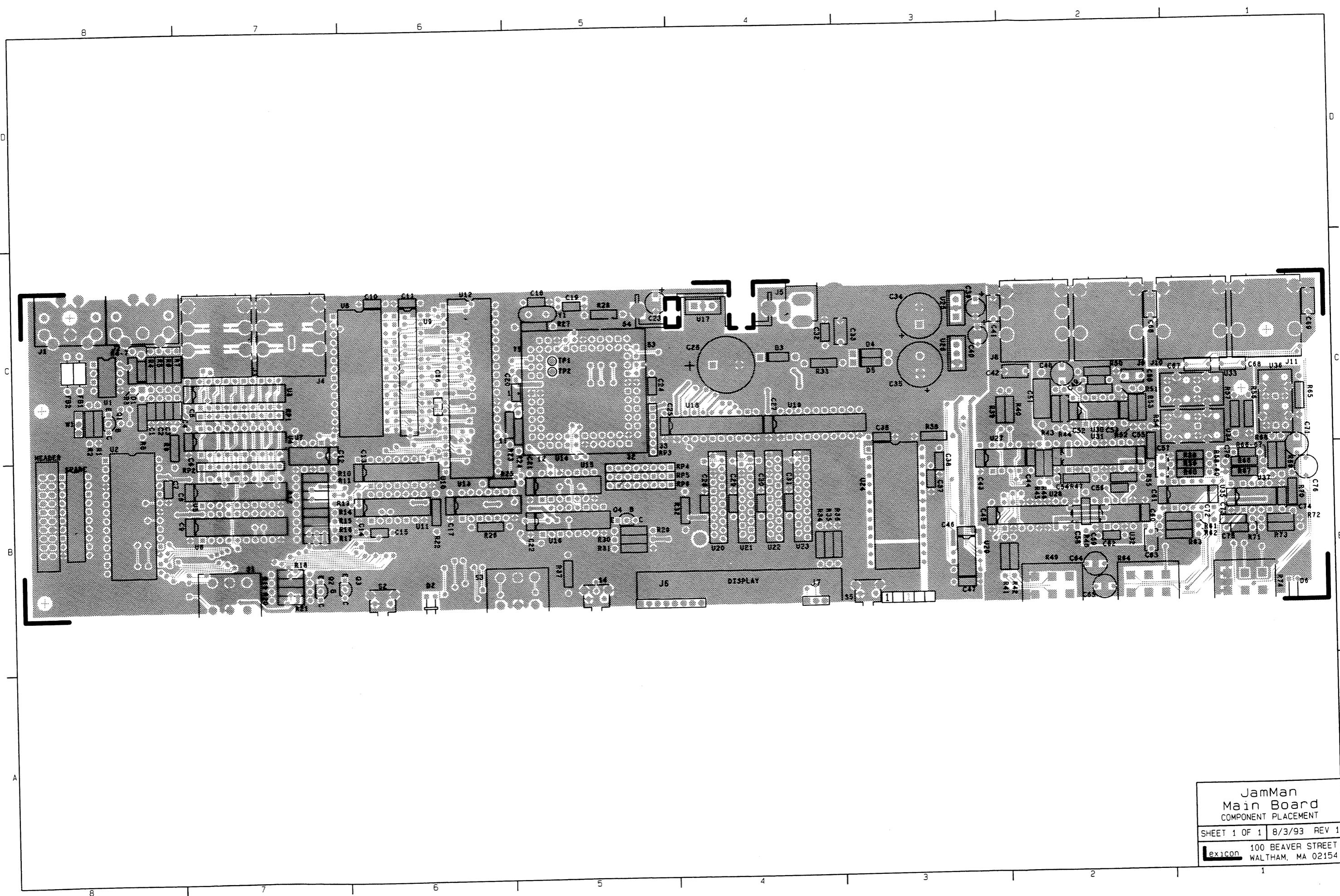
SHEET 5 OF 5 9/1/93 REV 1

Lexicon 100 BEAVER STREET  
WALTHAM, MA 02154

FRONT PANEL DISPLAY



J1 Pin#	Function
6	a/+D1/
7	b/
2	c/
3	d/+jh/
4	f/+D2/
1	g/
5	dp/+D3/



JamMan  
Main Board  
COMPONENT PLACEMENT

SHEET 1 OF 1	8/3/93	REV 1
lexicon 100 BEAVER STREET WALTHAM, MA 02154		