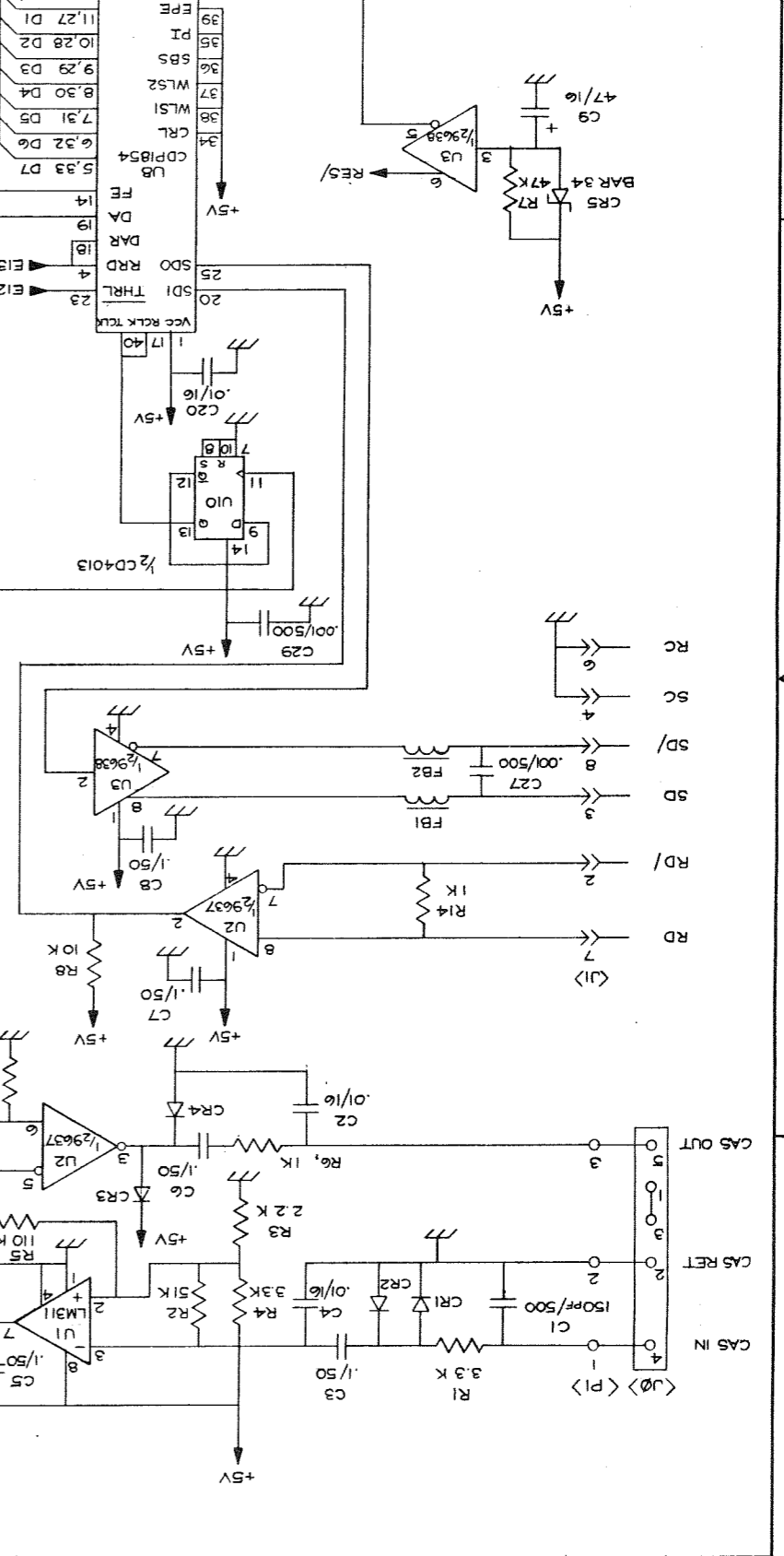
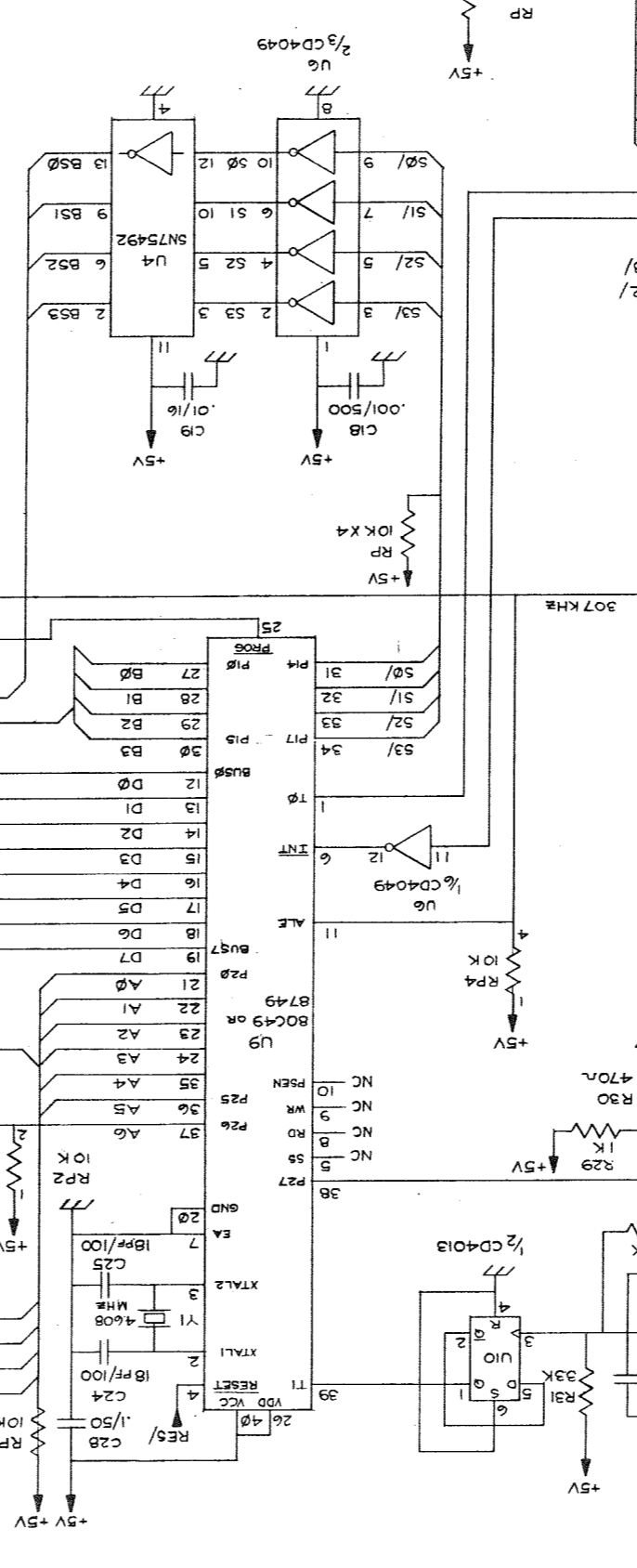
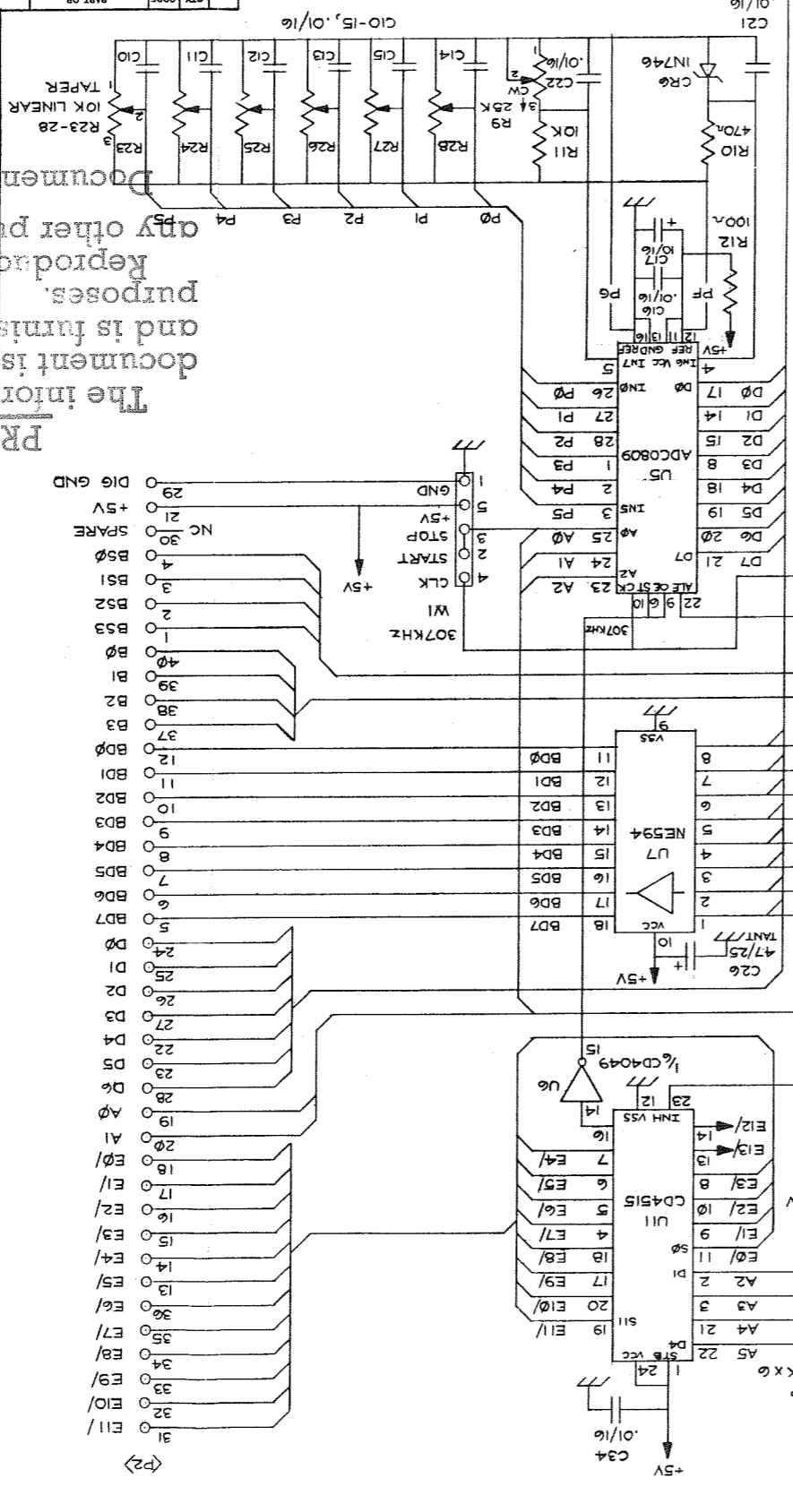
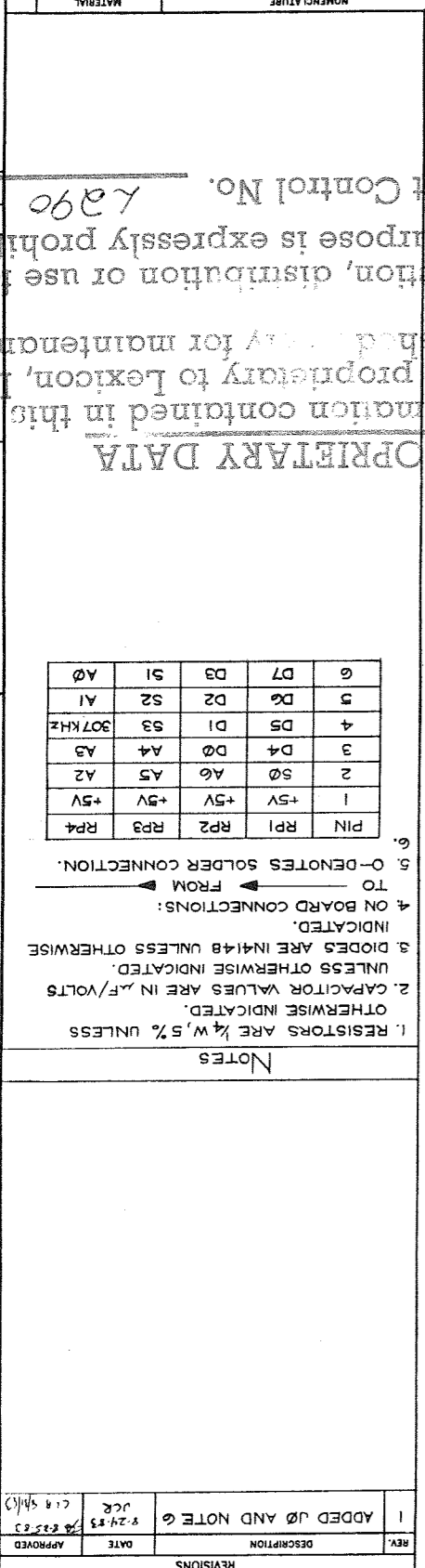


SHEET 1 OF 2		SCALE NA		DO NOT SCALE DRAWING	
REV.	DESCRIPTION	DATE	APPROVED	REV.	DESCRIPTION
1	ADDED J0 AND NOTE 6	8-24-83	JCR	1	SHEET 1 OF 2
2				2	060-0534
3				3	DWG. NO.
4				4	ISSUED
5				5	CHECKED
6				6	DRAWN
7				7	DATE
8				8	APPROVALS
9				9	3-18-83
10				10	JCR
11				11	3-18-83
12				12	3-18-83
13				13	3-18-83
14				14	3-18-83
15				15	3-18-83
16				16	3-18-83
17				17	3-18-83
18				18	3-18-83
19				19	3-18-83
20				20	3-18-83
21				21	3-18-83
22				22	3-18-83
23				23	3-18-83
24				24	3-18-83
25				25	3-18-83
26				26	3-18-83
27				27	3-18-83
28				28	3-18-83
29				29	3-18-83
30				30	3-18-83
31				31	3-18-83
32				32	3-18-83
33				33	3-18-83
34				34	3-18-83
35				35	3-18-83
36				36	3-18-83
37				37	3-18-83
38				38	3-18-83
39				39	3-18-83
40				40	3-18-83
41				41	3-18-83
42				42	3-18-83
43				43	3-18-83
44				44	3-18-83
45				45	3-18-83
46				46	3-18-83
47				47	3-18-83
48				48	3-18-83
49				49	3-18-83
50				50	3-18-83
51				51	3-18-83
52				52	3-18-83
53				53	3-18-83
54				54	3-18-83
55				55	3-18-83
56				56	3-18-83
57				57	3-18-83
58				58	3-18-83
59				59	3-18-83
60				60	3-18-83
61				61	3-18-83
62				62	3-18-83
63				63	3-18-83
64				64	3-18-83
65				65	3-18-83
66				66	3-18-83
67				67	3-18-83
68				68	3-18-83
69				69	3-18-83
70				70	3-18-83
71				71	3-18-83
72				72	3-18-83
73				73	3-18-83
74				74	3-18-83
75				75	3-18-83
76				76	3-18-83
77				77	3-18-83
78				78	3-18-83
79				79	3-18-83
80				80	3-18-83
81				81	3-18-83
82				82	3-18-83
83				83	3-18-83
84				84	3-18-83
85				85	3-18-83
86				86	3-18-83
87				87	3-18-83
88				88	3-18-83
89				89	3-18-83
90				90	3-18-83
91				91	3-18-83
92				92	3-18-83
93				93	3-18-83
94				94	3-18-83
95				95	3-18-83
96				96	3-18-83
97				97	3-18-83
98				98	3-18-83
99				99	3-18-83
100				100	3-18-83



REV.	DESCRIPTION	DATE	APPROVED
1	ADDED J0 AND NOTE 6	8-24-83	JCR
2			
3			
4			
5			
6			
7			
8			
9			
10			
11			
12			
13			
14			
15			
16			
17			
18			
19			
20			
21			
22			
23			
24			
25			
26			
27			
28			
29			
30			
31			
32			
33			
34			
35			
36			
37			
38			
39			
40			

QTY	PART OR IDENTIFYING NO.	DESCRIPTION
1	U1	74138
1	U2	74138
1	U3	74138
1	U4	74138
1	U6	74138
1	U7	74138
1	U9	74138
1	U10	74138
1	U11	74138
1	U12	74138
1	U13	74138
1	U14	74138
1	U15	74138
1	U16	74138
1	U17	74138
1	U18	74138
1	U19	74138
1	U20	74138
1	U21	74138
1	U22	74138
1	U23	74138
1	U24	74138
1	U25	74138
1	U26	74138
1	U27	74138
1	U28	74138
1	U29	74138
1	U30	74138
1	U31	74138
1	U32	74138
1	U33	74138
1	U34	74138
1	U35	74138
1	U36	74138
1	U37	74138
1	U38	74138
1	U39	74138
1	U40	74138
1	U41	74138
1	U42	74138
1	U43	74138
1	U44	74138
1	U45	74138
1	U46	74138
1	U47	74138
1	U48	74138
1	U49	74138
1	U50	74138
1	U51	74138
1	U52	74138
1	U53	74138
1	U54	74138
1	U55	74138
1	U56	74138
1	U57	74138
1	U58	74138
1	U59	74138
1	U60	74138
1	U61	74138
1	U62	74138
1	U63	74138
1	U64	74138
1	U65	74138
1	U66	74138
1	U67	74138
1	U68	74138
1	U69	74138
1	U70	74138
1	U71	74138
1	U72	74138
1	U73	74138
1	U74	74138
1	U75	74138
1	U76	74138
1	U77	74138
1	U78	74138
1	U79	74138
1	U80	74138
1	U81	74138
1	U82	74138
1	U83	74138
1	U84	74138
1	U85	74138
1	U86	74138
1	U87	74138
1	U88	74138
1	U89	74138
1	U90	74138
1	U91	74138
1	U92	74138
1	U93	74138
1	U94	74138
1	U95	74138
1	U96	74138
1	U97	74138
1	U98	74138
1	U99	74138
1	U100	74138

QTY	PART OR IDENTIFYING NO.	DESCRIPTION
1	R1	3.3K
1	R2	3.3K
1	R3	2.2K
1	R4	3.3K
1	R5	110K
1	R6	1K
1	R7	47K
1	R8	10K
1	R9	10K
1	R10	470n
1	R11	10K
1	R12	100n
1	R13	100n
1	R14	100n
1	R15	100n
1	R16	100n
1	R17	100n
1	R18	100n
1	R19	100n
1	R20	100n
1	R21	100n
1	R22	100n
1	R23	100n
1	R24	100n
1	R25	100n
1	R26	100n
1	R27	100n
1	R28	100n
1	R29	100n
1	R30	100n
1	R31	100n
1	R32	100n
1	R33	100n
1	R34	100n
1	R35	100n
1	R36	100n
1	R37	100n
1	R38	100n
1	R39	100n
1	R40	100n
1	R41	100n
1	R42	100n
1	R43	100n
1	R44	100n
1	R45	100n
1	R46	100n
1	R47	100n
1	R48	100n
1	R49	100n
1	R50	100n
1	R51	100n
1	R52	100n
1	R53	100n
1	R54	100n
1	R55	100n
1	R56	100n
1	R57	100n
1	R58	100n
1	R59	100n
1	R60	100n
1	R61	100n
1	R62	100n

SCALE N/A	DO NOT SCALE DRAWING
ISSUED: 1/1/83	APPROVALS: [Signature]
CHECKED: [Signature]	DATE: 3-18-83
DRAWN: USB	APPROVALS: [Signature]
SIZE: 8.5x11	DATE: 3-18-83
DWG. NO. 060-03534	REV. 1
SHEET 2 OF 2	

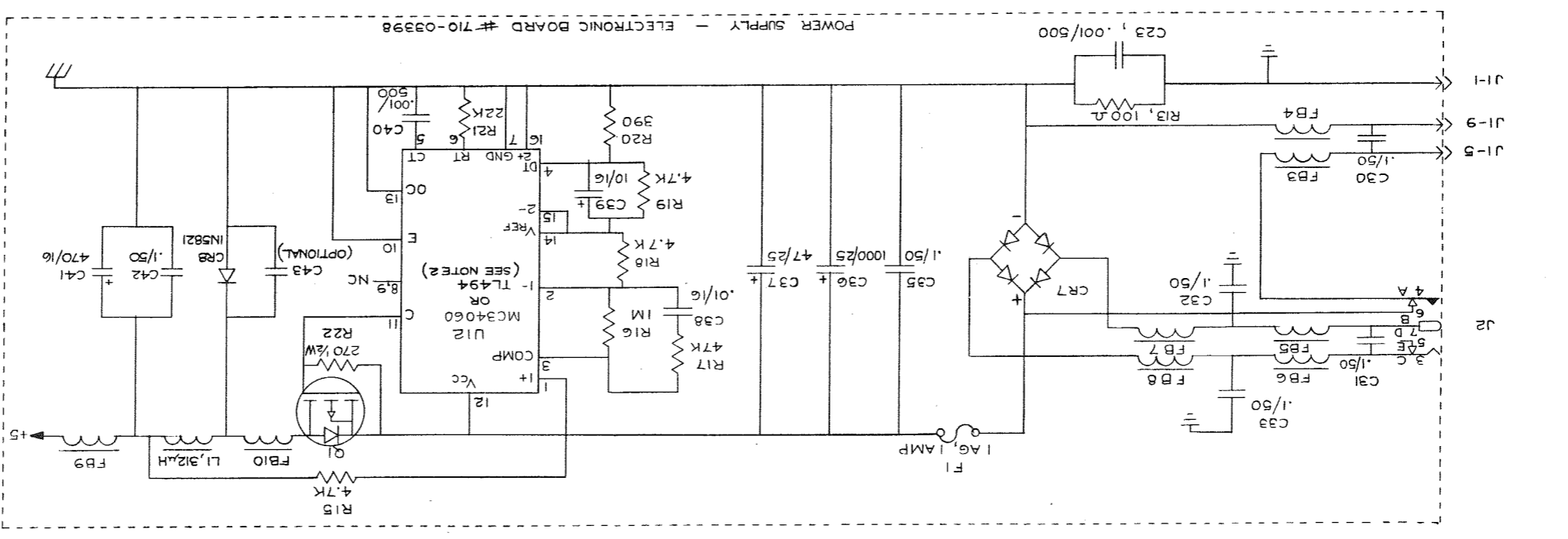
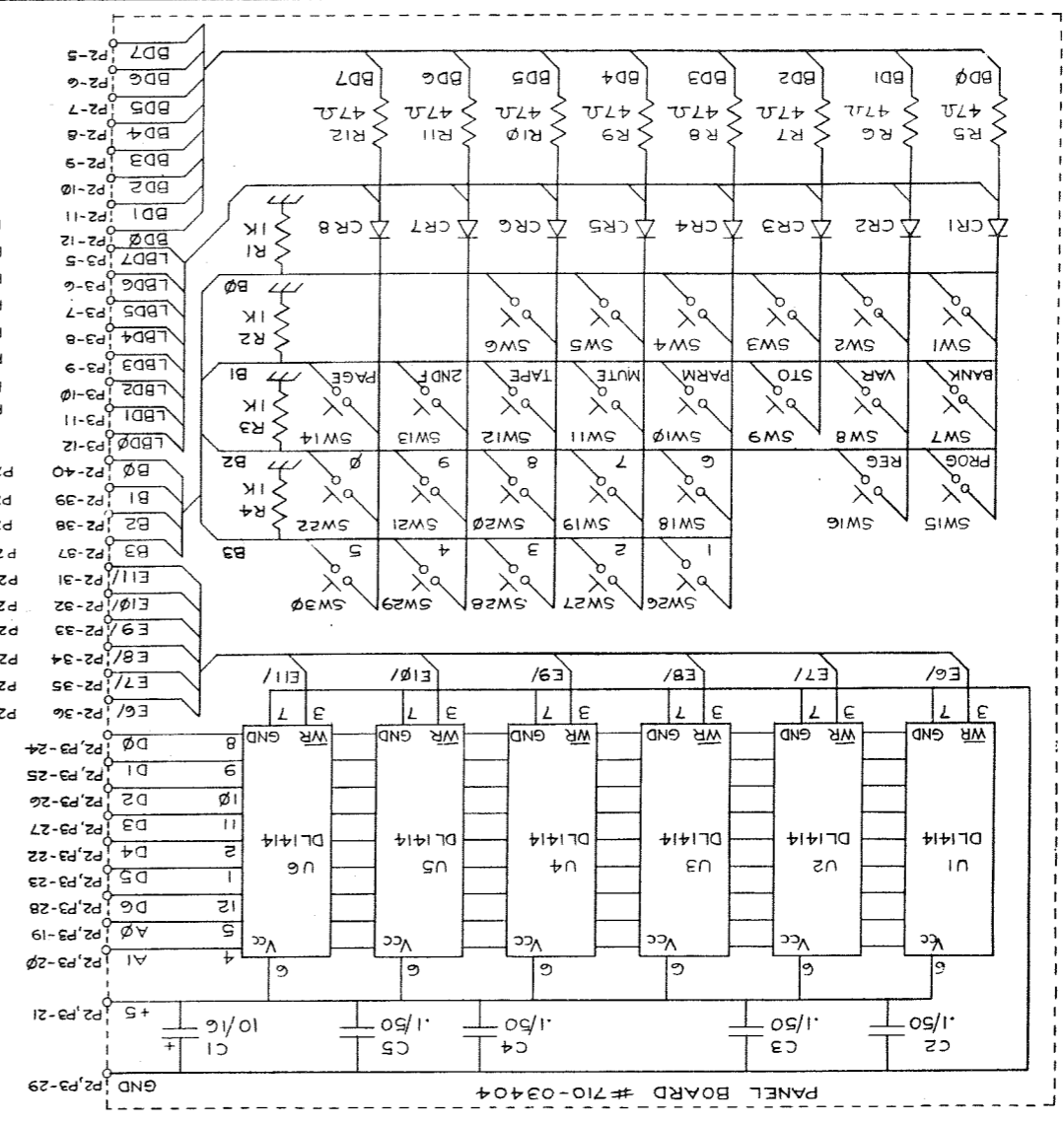
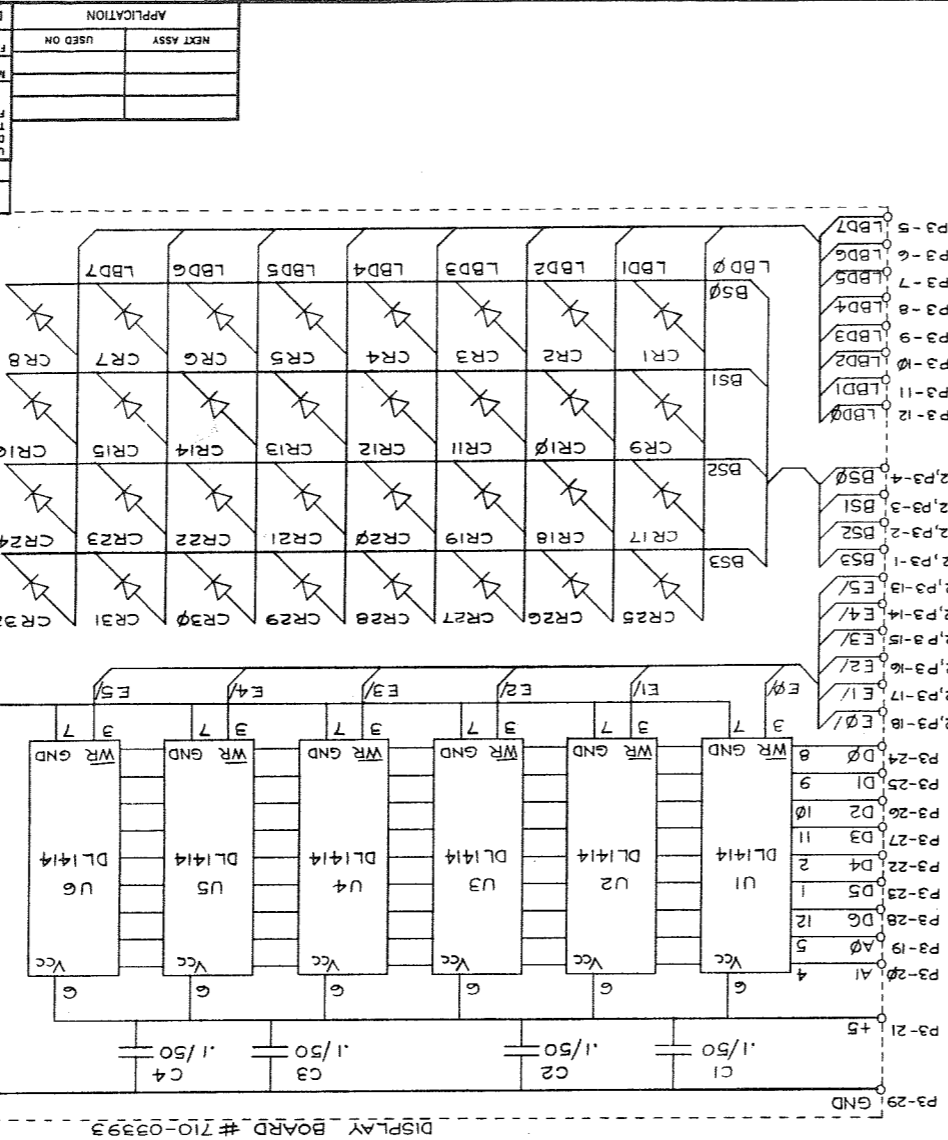
REV.	DESCRIPTION	DATE	APPROVED
1	ADDED FB10 AND C43.	8-24-83	JCR
	ADDED NOTE 2.	8/1/83	JCR

NOTES

- PINS P2-1 THROUGH P2-4 ARE CONNECTED TO P3-1 THROUGH P3-4 AND P2-13 THROUGH P2-29 ARE CONNECTED TO P3-13 THROUGH P3-29. THESE CONNECTIONS ARE MADE ON THE PANEL BOARD.
- THE MC34060 (14 PIN PACKAGE) AND THE TL494 (16 PIN PACKAGE) ARE COMPATIBLE WITH PIN 1 BEING THE SAME ON EACH. PIN NUMBERS LISTED ARE FOR THE TL494.

REVISIONS

REV.	DESCRIPTION	DATE	APPROVED
1	ADDED FB10 AND C43.	8-24-83	JCR
	ADDED NOTE 2.	8/1/83	JCR



PROPRIETARY DATA
 The information contained in this document is proprietary to Lexicon, Inc., and is furnished solely for maintenance purposes.
 Reproduction, distribution or use for any other purpose is expressly prohibited.

APPLICATION		DO NOT SCALE DRAWING		SCALE N A		SHEET 1 OF 1	
USED ON	NEXT ASSY	FINISH	ISSUED	SIZE	FSCM NO.	DWG. NO.	REV.
			C.B. 8/29/83	4-12-83		080-03397	0
MATERIAL		CHECKED		DATE		PC ASSEMBLY DRAWING	
JOK		JB		5-12-83		DISPLAY BOARD, LURCH	
FRACTIONS DECIMALS ANGLES		APPROVALS		DATE		CONTRACT NO.	
TOLERANCES ARE IN INCHES						UNLESS OTHERWISE SPECIFIED	
DIMENSIONS ARE IN INCHES						PARTS LIST	
UNLESS OTHERWISE SPECIFIED						NOMENCLATURE OR DESCRIPTION	
TOLERANCES ARE IN INCHES						MATERIAL SPECIFICATION	

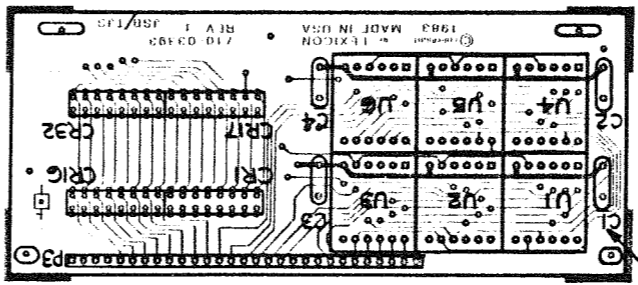
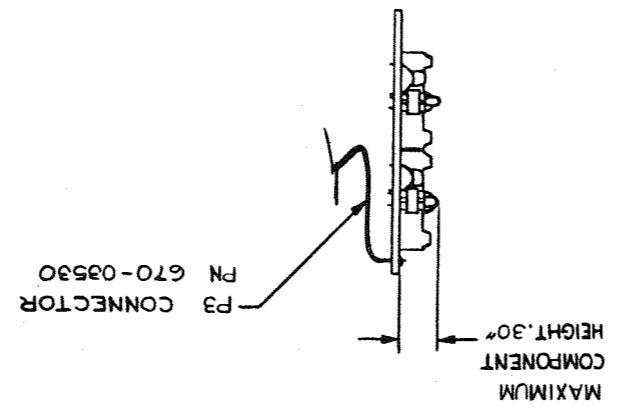
Document Control No. 1290

any other purpose is expressly prohibited. Reproduction, distribution or use for purposes and is furnished solely for maintenance. The information contained in this document is proprietary to Lexicon, Inc.

PROPRIETARY DATA

1. REFER TO BOM # 024-03367.
 2. SOLDER TAIL PROTRUSION .080 MAX.
 3. MAXIMUM COMPONENT HEIGHT .30" MAX.
 4. DO NOT SOCKET UI-6, PART NUMBER 430-03413.
 5. USE SOCKET #520-02718 FOR INSTALLATION OF CR1-32, LED DISPLAY STICK, PART NUMBER 430-03414.
 6. INSERT FLEX CABLE, PART NUMBER 670-03530 FROM CIRCUIT SIDE AND SOLDER FROM COMPONENT SIDE.
 7. COMPONENT REFERENCE DESIGNATIONS ARE IN ETCH ON THE CIRCUIT SIDE.

REVISIONS	
REV.	DESCRIPTION
08	RELEASED FOR PRODUCTION 6-23-83
CS	
JB	8/2/83



⑦

1 2 3 4

A B C D

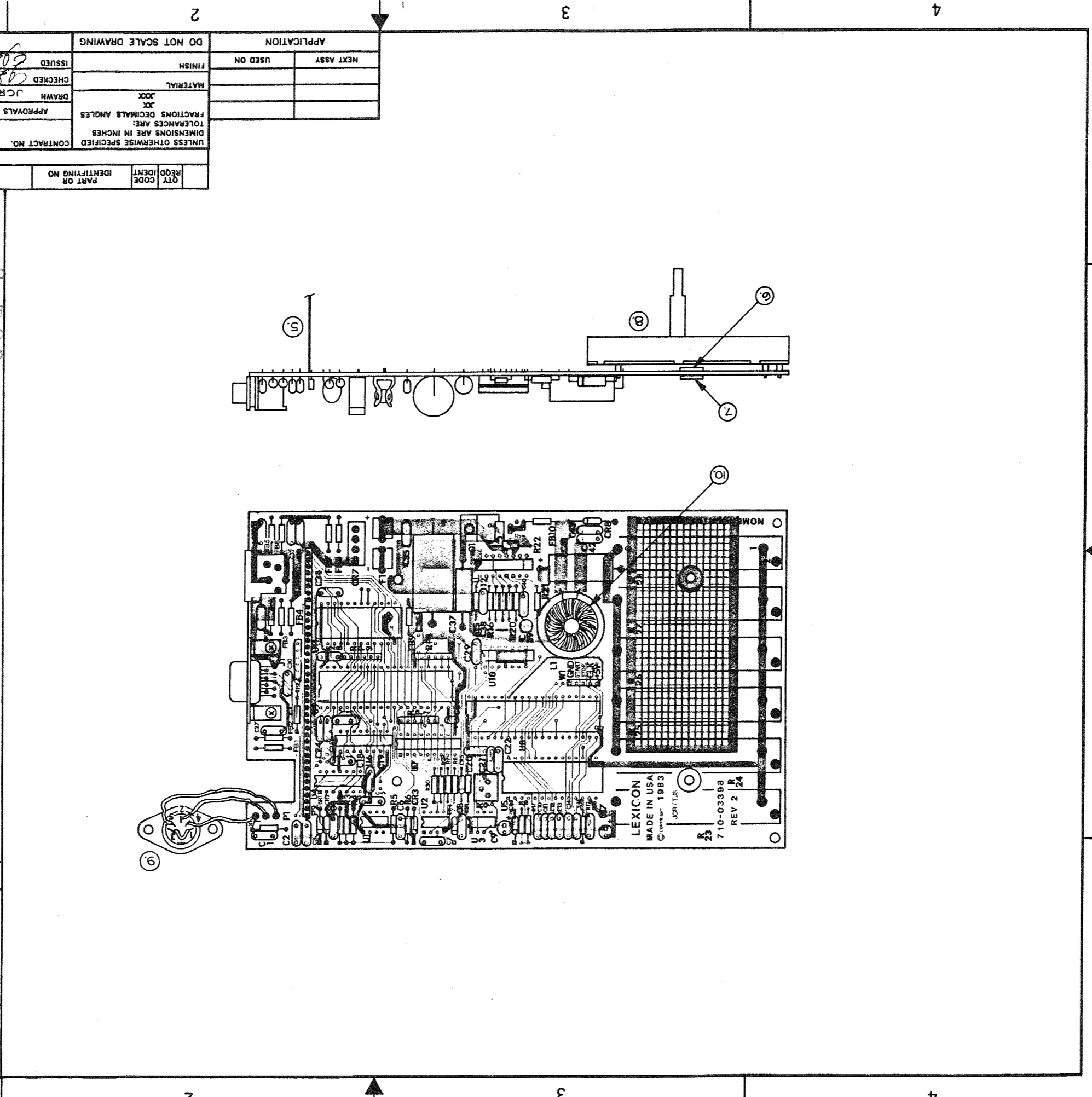
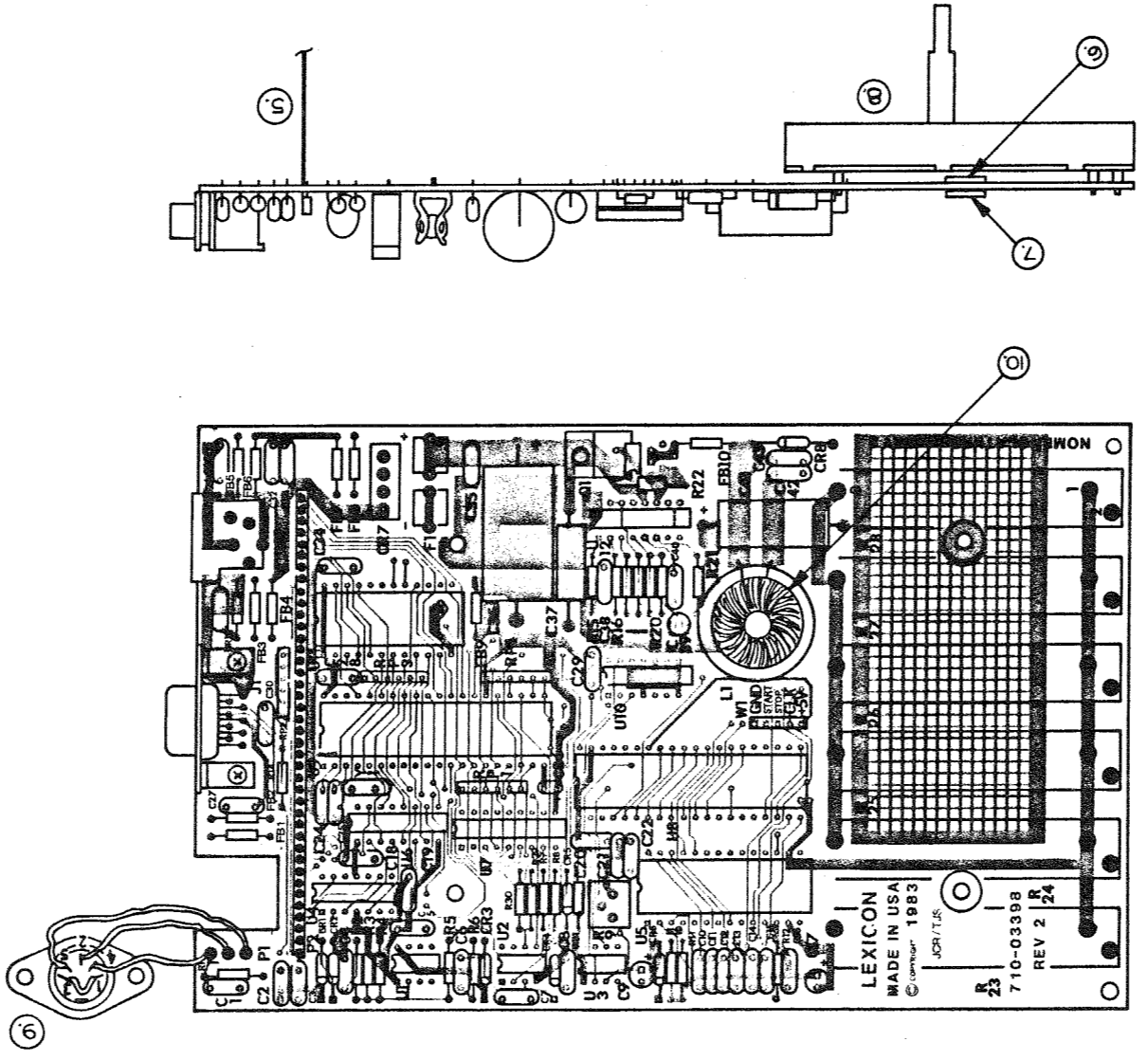
DO NOT SCALE DRAWING		APPLICATION	
ISSUED	1/24/84	USED ON	
CHECKED	1/24/84	NEXT ASSY	
DRAWN	JCR		
DATE	11/1/83		
APPROVALS		MATERIAL	
PC ASSEMBLY DRAWING		ELECTRONICS BOARD, LARC	
PC ASSEMBLY DRAWING		ELECTRONICS BOARD, LARC	
SCALE FULL		SHEET 1 OF 1	

REV.	DESCRIPTION	DATE	APPROVED
1	REDRAWN TO CONFORM TO REV 2 BOARDS.	11/1/83	JCR

QTY	CODE	REQD IDENT	PART OR IDENTIFYING NO	NOMENCLATURE OR DESCRIPTION	MATERIAL SPECIFICATION
PARTS LIST					
UNLESS OTHERWISE SPECIFIED					
DIMENSIONS ARE IN INCHES					
TOLERANCES ARE:					
FRACTIONS DECIMALS ANGLES					
XXX					
MATERIAL					
FINISH					
CONTRACT NO.					
LEXICON					

The information contained in this document is proprietary to Lexicon, Inc. and is furnished solely for maintenance purposes. Reproduction, distribution or use for any other purpose is expressly prohibited. Document Control No. 7390

- NOTES**
- REFER TO BOM NO 026-03369 AND 025-03370.
 - SOCKET ALL IC POSITIONS.
 - SOLDER MASK HOLES ARE INDICATED BY SOLID CIRCLES.
 - SOLDER TAIL PROTRUSION .080" MAXIMUM.
 - FLEX CONNECTOR P2 TO BE INSERTED FROM CIRCUIT SIDE AND SOLDERED FROM COMPONENT SIDE.
 - FIBER WASHERS (QTY 2) P/N 630-03544 TO BE ATTACHED TO CIRCUIT SIDE OF PCB WITH GOODYEAR PLIOBOND. THIS IS TO BE DONE BEFORE THE INSTALLATION OF R23-R28.
 - FIBER WASHERS (QTY 2) P/N 630-00953 TO BE ATTACHED TO COMPONENT SIDE OF PCB WITH GOODYEAR PLIOBOND.
 - R23-R28 TO BE MOUNTED ON CIRCUIT SIDE AND SOLDERED FROM COMPONENT SIDE.
 - HARDWARE DIN CONNECTOR JØ P/N 490-00998 AS SHOWN.
 - APPLY A DAB OF SILICONE RUBBER UNDER LI AND PRESS FLUSH TO PCB.
 - APPLY A DAB OF SILICONE RUBBER UNDER ALL FERRITE BEADS, FBI-FB10.



1	2	3	4
A	B	C	D

REV.	DESCRIPTION	DATE	APPROVED
1	RELEASED FOR PRODUCTION 8-23-83	5/31/83	

REVISIONS			
REV.	DESCRIPTION	DATE	APPROVED
1	RELEASED FOR PRODUCTION 8-23-83	5/31/83	

NOTES

1. RESISTORS ARE 1/4W, 5% UNLESS OTHERWISE INDICATED.
2. CAPACITOR VALUES ARE IN μ F/VOLTS UNLESS OTHERWISE INDICATED.
3. DIODES ARE IN5404 UNLESS OTHERWISE INDICATED.
4. ON BOARD CONNECTIONS:
5. DIGITAL GND CHASSIS
6. 0 INDICATES JUMPER BOOT INSTALLED ON JUMPER BLOCK.

PROPRIETARY DATA

The information contained in this document is proprietary to Lexicon, Inc., and is furnished solely for maintenance purposes. Reproduction, distribution or use for any other purpose is expressly prohibited.

Document Control No. 7390

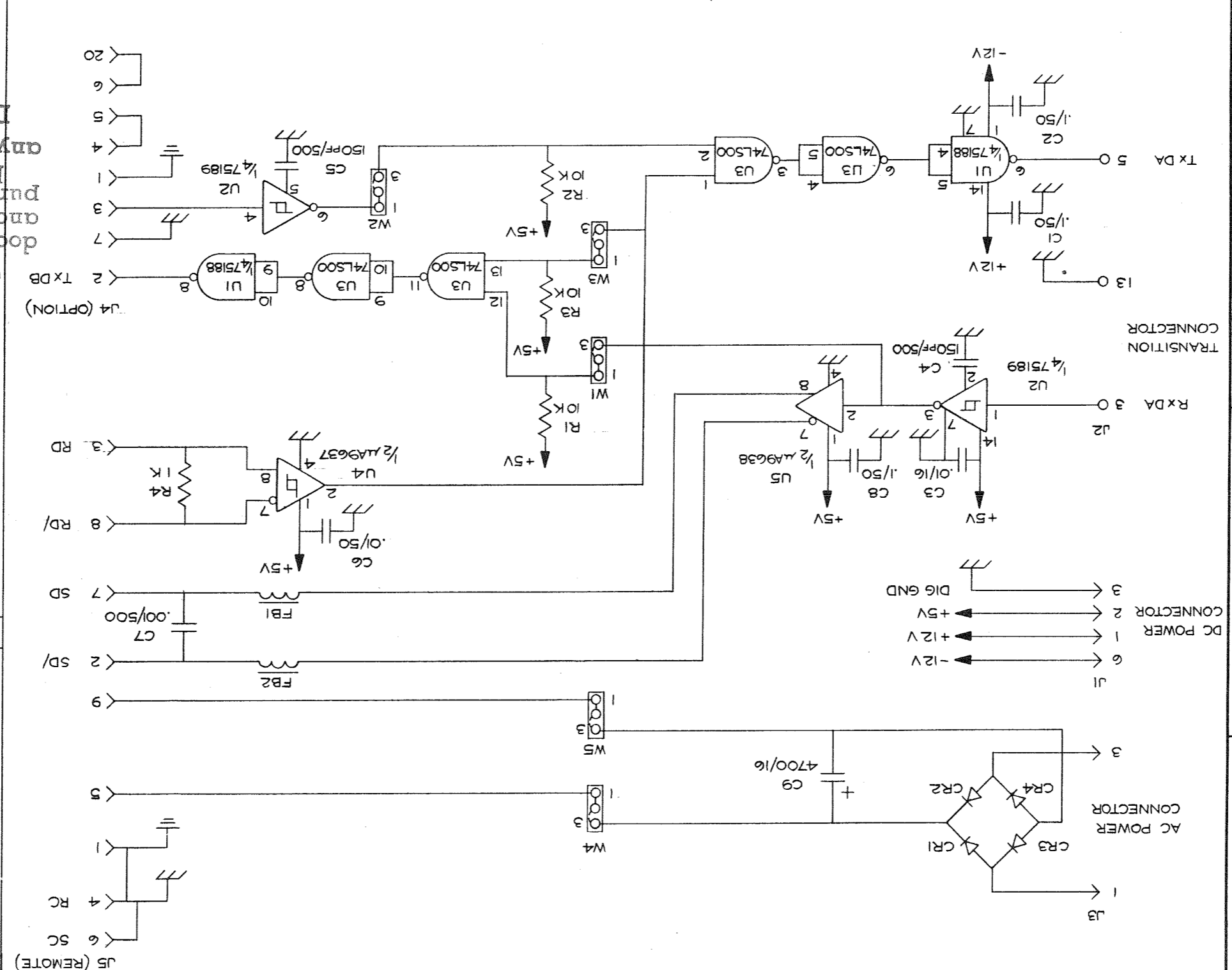
PARTS LIST			
QTY	CODE	IDENTIFYING NO.	NOMENCLATURE OR DESCRIPTION
			MATERIAL SPECIFICATION

UNLESS OTHERWISE SPECIFIED			
DIMENSIONS ARE IN INCHES			
FRACTIONS DECIMALS ANGLES			
TOLERANCES ARE:			
X.XX			
X.XXX			
X.XXXX			

DO NOT SCALE DRAWING			
APPLICATION		FINISH	
USED ON	NEXT ASSY	ISSUED	CHECKED
		5/31/83	8/25/83
		8/25/83	JCR
		6-20-83	

PC SCHEMATIC			
XITON BOARD, (NEW), M224X			
DRAWN JCR			
DATE 6-20-83			
CHECKED 8/25/83			
ISSUED 5/31/83			
SCALE N/A			
SHEET 1 OF 1			

LEXICON



J5 (REMOTE)

J4 (OPTION)

J3

J2

J1

DC POWER

CONNECTION 2

CONNECTION 1

CONNECTION 0

CONNECTION 3

CONNECTION 4

CONNECTION 5

CONNECTION 6

CONNECTION 7

CONNECTION 8

CONNECTION 9

CONNECTION 10

CONNECTION 11

CONNECTION 12

CONNECTION 13

CONNECTION 14

CONNECTION 15

CONNECTION 16

CONNECTION 17

CONNECTION 18

CONNECTION 19

CONNECTION 20

CONNECTION 21

CONNECTION 22

CONNECTION 23

CONNECTION 24

CONNECTION 25

CONNECTION 26

CONNECTION 27

CONNECTION 28

CONNECTION 29

CONNECTION 30

