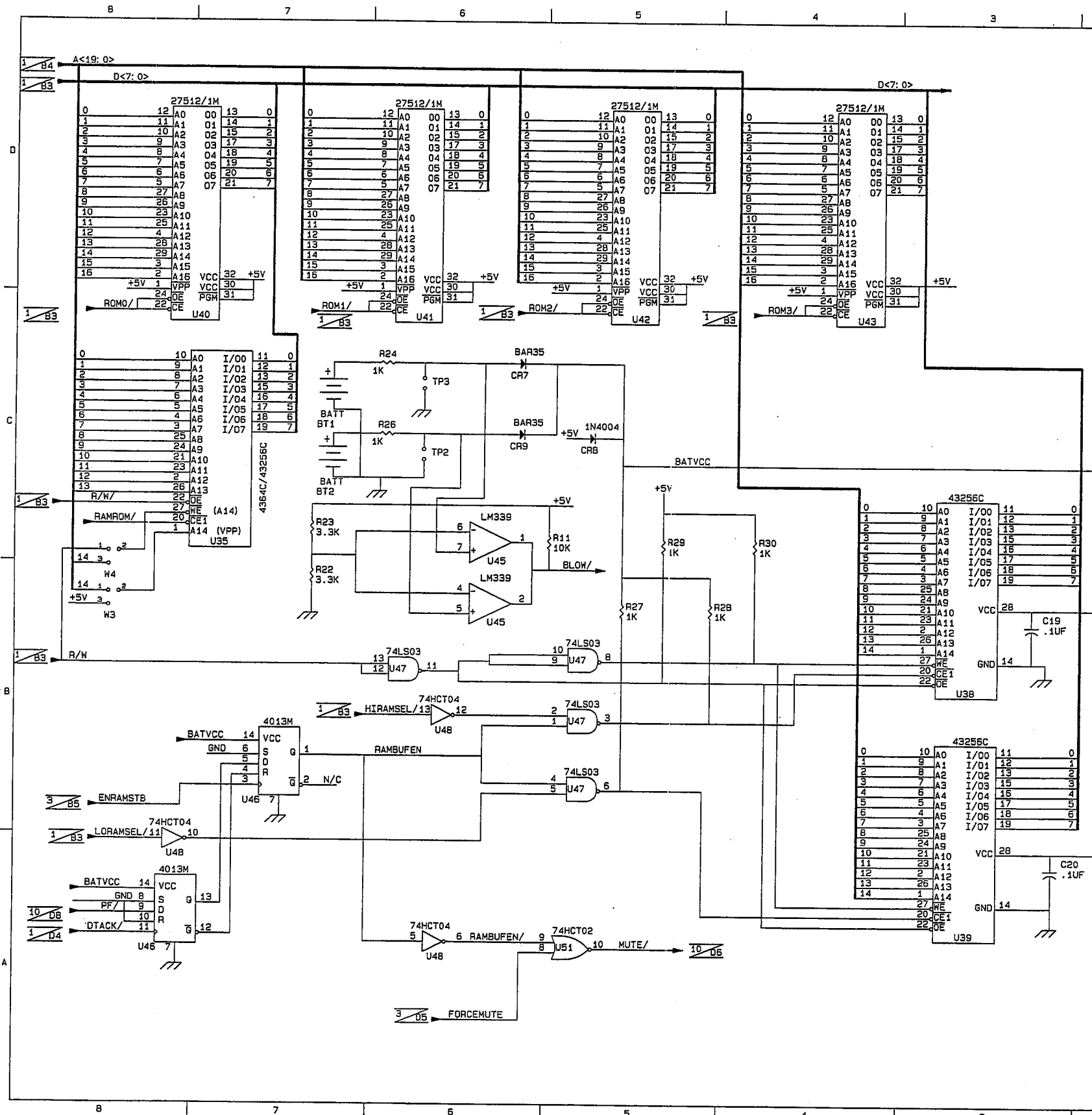


REVISIONS			
REV	DESCRIPTION	DRAWN/CHECKER	D.C. / AUTHORIZED
3	REDRAWN FOR PRODUCTION RELEASE OF REV 3 PCB	PF 5/1/87	JZ 5/11/87
4	REVISED PER ECO 870515-00; ADDED NOTE 7.	PF 8/3/87	JZ 8/6/87
5	PER ECO 870908-00, ADDED R65 & UPDATED DOCUMENT CONTROL BLOCK	JV 9/28/87	JZ 10/21/87
6	REVISED PER ECO # 900411-01 AND ECO # 900625-01	RW 5/11/90	RW 6/4/90
7	CHANGE PER ECO #900411-01-B UPDATED DOC CONTROL BLOCK	RW 6/4/90	RW 6/4/90
8	REVISED DOC CTL BLOCK, AND CHANGED U25 FROM 74HCT32 TO 74AC32 PER ECO 911015-00.	RW 8/31/90	RW 9/4/90
9	CHANGED R21 PER ECO#920521-00	JV 9/11/92	JV 9/11/92
10	CHANGED U25 FROM AC32 TO ALS32; ADDED R66 AND REVISED DOC CTL BLK PER ECO #921211-00	JV 12/22/92	JV 1/5/93

NOTES	
1.	UNLESS OTHERWISE INDICATED, RESISTORS ARE 5%, 1/4W.
2.	UNLESS OTHERWISE INDICATED, CAPACITORS ARE UF/V.
3.	UNLESS OTHERWISE INDICATED, DIODES ARE 1N4148.
4.	ANALOG GROUND CHASSIS GROUND ANALOG PWR GND
5.	DENOTES SHEET NUMBER AND INTERSECT COORDINATE.
6.	ON BOARD CONNECTION-TO ON BOARD CONNECTION-FROM SOLDER CONNECTION
7.	74HCT74, U8 TO BE RCA PART ONLY.

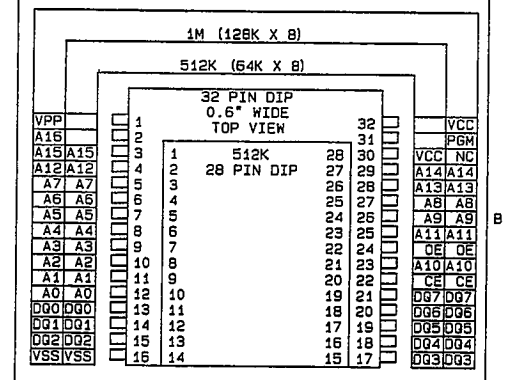
DOCUMENT CONTROL BLOCK: #060-04384	
SHEET NUMBER	REVISION NUMBER
1 OF 10	10
2 OF 10	6
3 OF 10	5
4 OF 10	5
5 OF 10	3
6 OF 10	4
7 OF 10	3
8 OF 10	3
9 OF 10	3
10 OF 10	7

CONTRACT NO.		TITLE	
		100 BEAVER ST., WALTHAM, MA. 02154	
APPROVALS	DATE	SCHEMATIC, HOST, M480L 68008 HOST PROCESSOR	
DRAWN PF	2-10-86		
CHECKED PF	4/28/86	SIZE	CODE NUMBER
ISSUED RJ	4/28/86	D	060-04384 10
D.C. JZ	3/3/86	SHEET 1 OF 10	

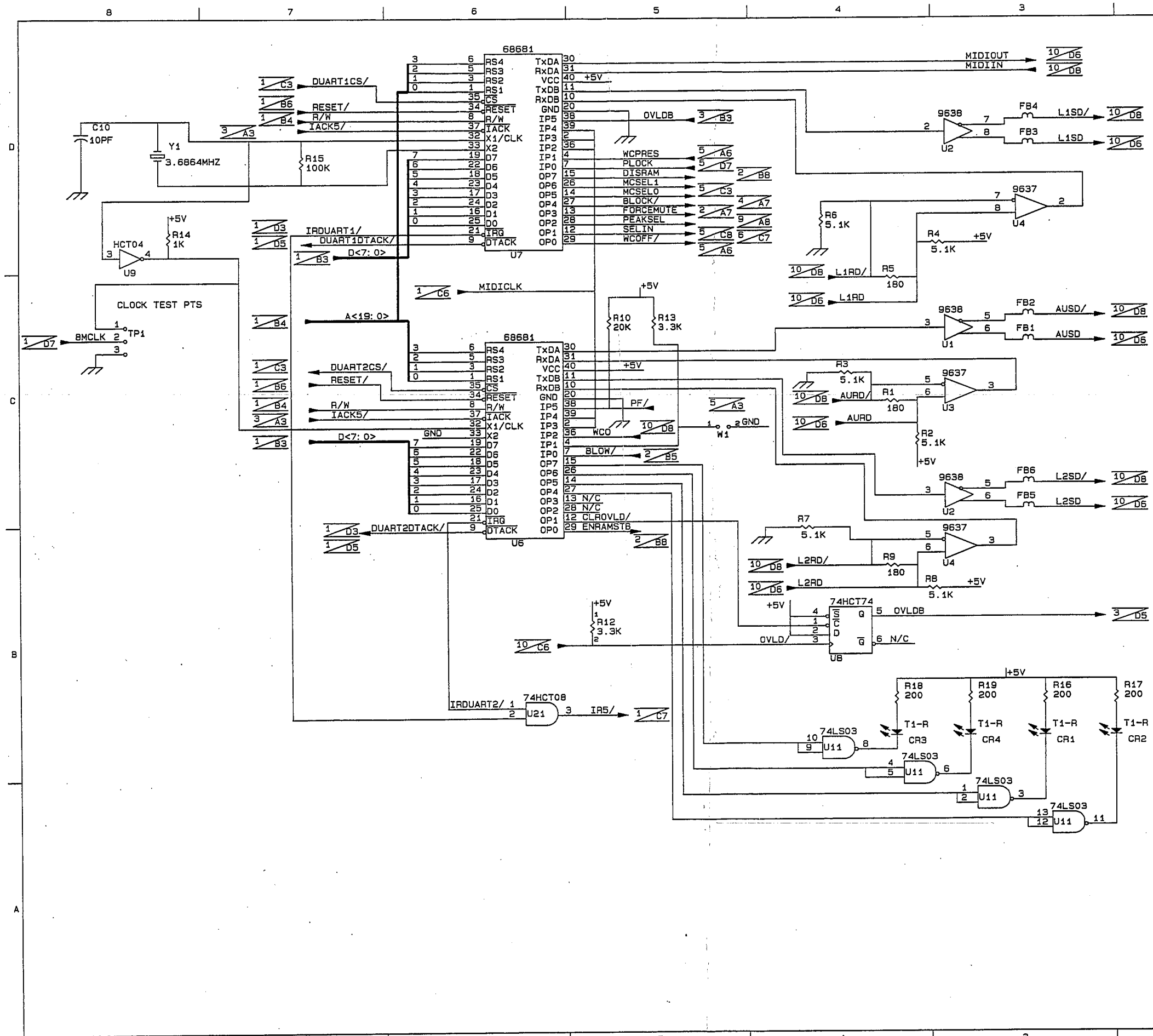


REVISIONS			
REV	DESCRIPTION	DRAFTER/CHECKER	AUTHORIZED
3	REDRAWN FOR PRODUCTION RELEASE OF REV 3 PCB	PF 5/11/87	JZ 5/11/87
4	CHANGED R/W SIGNAL PER ECO 870615-00; ADDED NOTES.	PF 8/3/87	JZ 8/5/87
5	REVISED PER ECO # 900411-01	RW 5/11/90	JZ 8/5/87
6	R29, AND R30 CONNECTED TO +5V, PER ECO 900411-01-B	RW 5/11/90	JZ 8/5/87

- NOTES
- JUMPERS W3, W4 TO BE INSTALLED BETWEEN 1 & 2 FOR 8K X 8 OR 32K X 8 STATIC RAMS.
 - JUMPERS W3, W4 TO BE INSTALLED BETWEEN 2 & 3 FOR 27256 EPROM.
 - LABELS IN PARENTHESES REFER TO 27256 PIN NAMES.

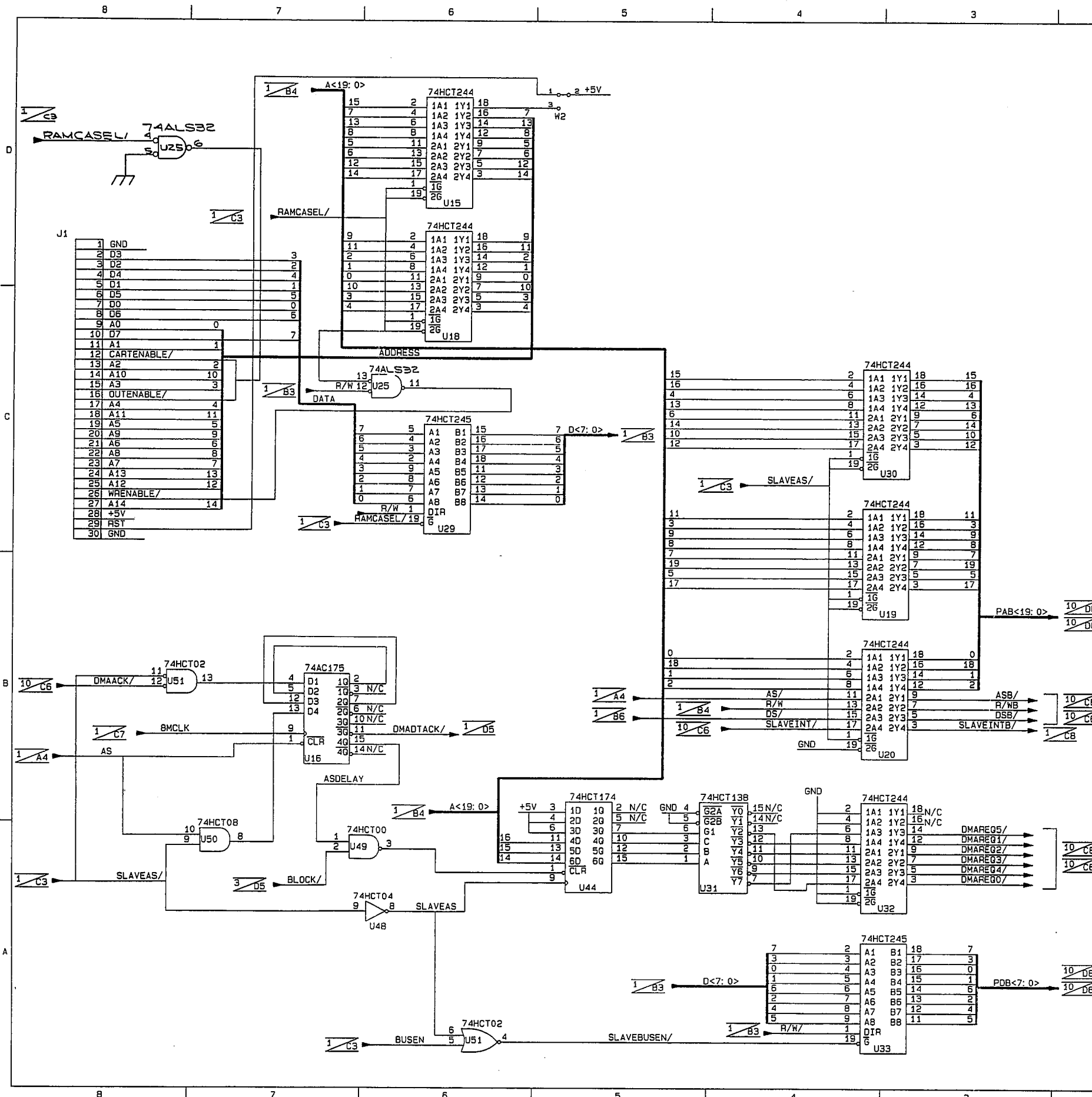


CONTRACT NO.		lexicon	
APPROVALS		DATE	
DRAWN PF		2-12-86	
CHECKED PF		4/28/86	
ISSUED RJ		4/28/86	
G.C. JZ		3/3/86	
TITLE		100 BEAVER ST. WALTHAM, MA. 02154	
TITLE		SCHEMATIC, HOST, M480L ROM AND NON-VOLATILE STORE	
SIZE	CODE	NUMBER	REV.
D		060-04384	6
SHEET 2 OF 10			



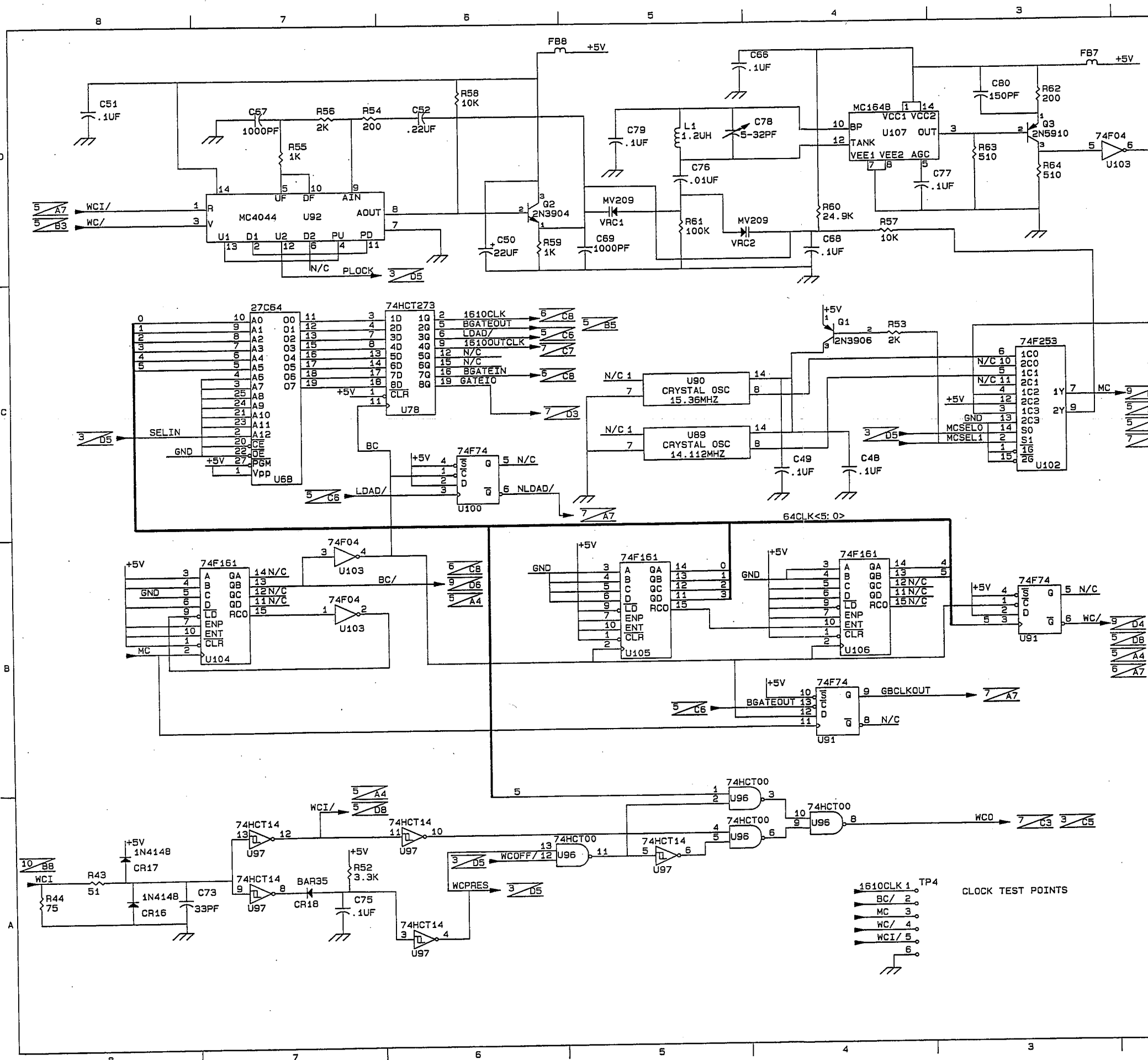
REVISIONS			
REV	DESCRIPTION	DRAFTER/CHECKER	U.C./AUTHORIZED
3	REDRAWN FOR PRODUCTION RELEASE OF REV 3 PCB	PF 5/1/87 PF 5/11/87	JZ 5/11/87 PF 5/11/87
4	REVISED PER ECO 870728-00 DUART CLOCK CIRCUIT MOD.	PF 8/6/87 PF 8/6/87	JZ 8/6/87 PF 8/6/87
5	REVISED PER ECO# 900411-01	RW 5/15/90	RW 5/15/90

CONTRACT NO.		lexicon	
		100 BEAVER ST. WALTHAM, MA. 02154	
APPROVALS	DATE	TITLE	
DRAWN PF	2-13-86	SCHEMATIC, HOST, M480L SERIAL COMMUNICATION	
CHECKED PF	4/28/86	SIZE	CODE NUMBER
ISSUED RJ	4/28/86	D	060-04384
G.C.	JZ 3/3/86		REV. 5
		SHEET 3 OF 10	

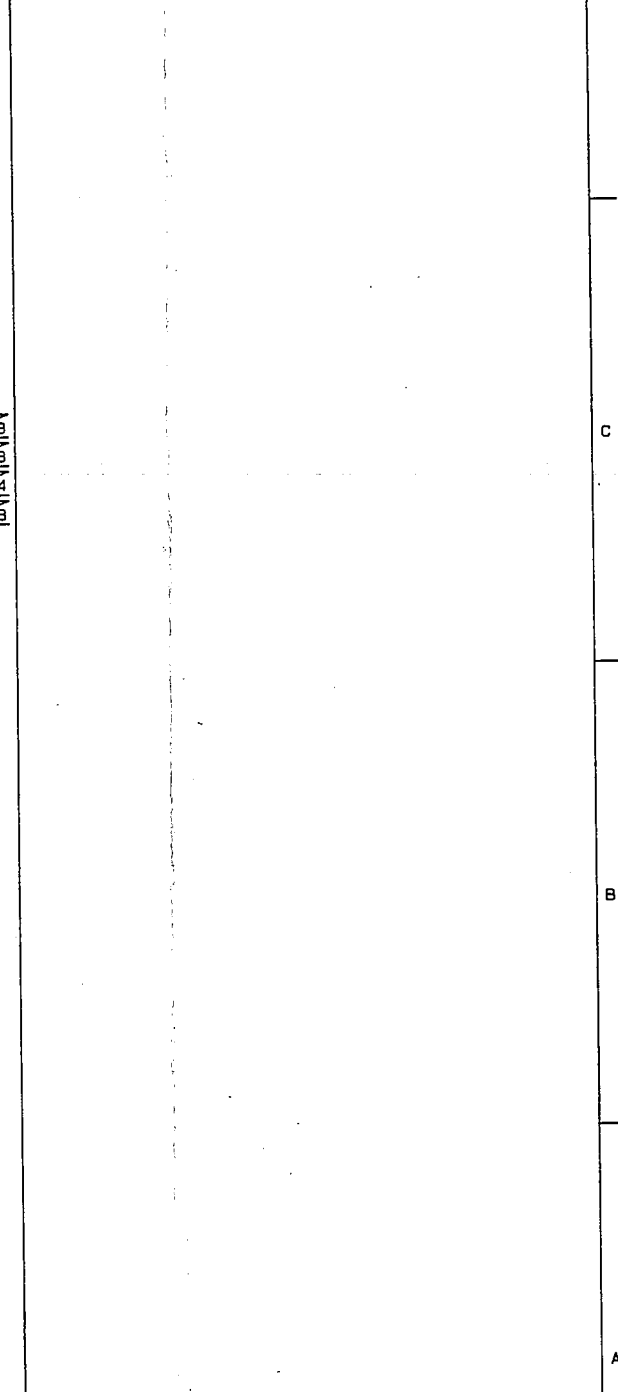


REVISIONS			
REV	DESCRIPTION	DRAWN/CHECKER	U.C. / AUTHORIZED
3	REDRAWN FOR PRODUCTION RELEASE OF REV 3 PCB	PF 5/11/87	JZ 5/11/87
4	REVISED DMAREQ RESET CKT; CHANGED U25 FROM 74HCT32 TO 74ALS32 PER ECO#911015-00. CHANGED U16 FROM 74HCT175 TO 74AC175 PER ECO#890619-00	GRJ 3/25/92	12/4/11/87 C4 4/6/92
5	BUFFERED RAMCASEL GOING TO THE CARTRIDGE PER ECO#921211-00	JVJ 12/15/92 GRW 2/8/93	12/15/93 C4 1/21/93

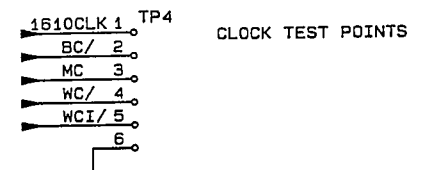
CONTRACT NO.		Lexicon	
100 BEAVER ST. WALTHAM, MA. 02154		TITLE	
APPROVALS	DATE	SCHEMATIC, HOST, M480L DMA CONTROL & RAM CART	
DRAWN PF	2-13-86	SIZE	CODE NUMBER
CHECKED PF	4/28/86	D	060-04384
ISSUED RJ	4/28/86	REV.	5
D.C. JZ	3/3/86	SHEET 4 OF 10	

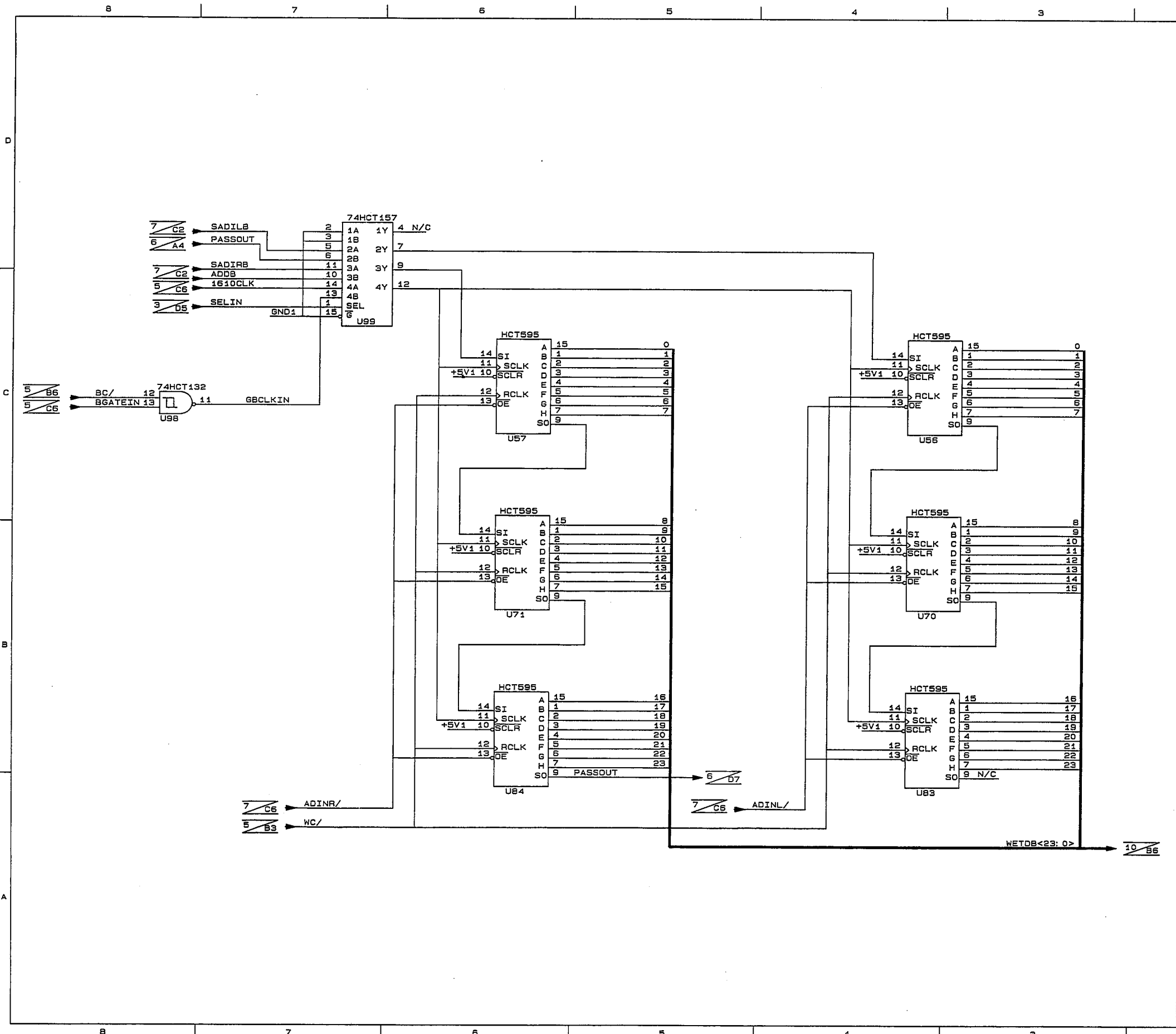


REVISIONS			
REV	DESCRIPTION	DRAFTER/CHECKER	A.U.C./AUTHORIZED
3	REDRAWN FOR PRODUCTION RELEASE OF REV 3 PCB	PF	JZ
		5/11/87	5/11/87
		PF	PF
		5/11/87	5/11/87
4	REVISE PER ECO 870709-00	PF	JZ
		8/3/87	8/8/87
		JZ	8/8/87
		8/8/87	8/8/87
5	REVISED PER ECO 881215-01 AND 900825-01	PF	JZ
		5/1/89	5/1/89



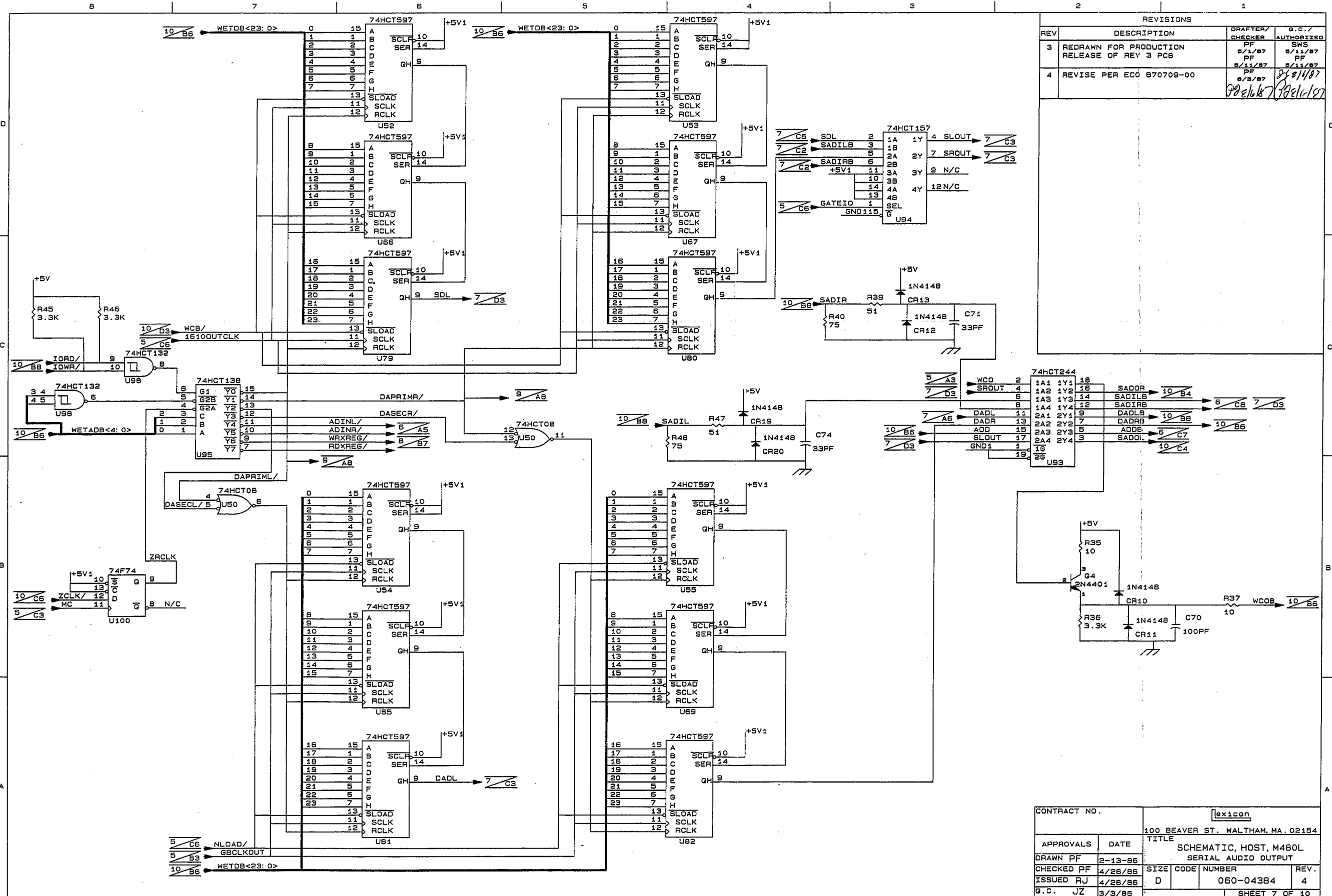
CONTRACT NO.		lexicon	
		100 BEAVER ST. WALTHAM, MA. 02154	
APPROVALS		DATE	
DRAWN PF		2-13-86	
CHECKED PF		4/28/86	
ISSUED RJ		4/28/86	
G.C. JZ		3/3/86	
TITLE		SCHEMATIC, HOST, M480L CLOCK GENERATION	
SIZE	CODE	NUMBER	REV.
D		060-04384	5
SHEET 5 OF 10			





REVISIONS			
REV	DESCRIPTION	DRAFTER/ CHECKER	S.C. / AUTHORIZED
3	REDRAWN FOR PRODUCTION RELEASE OF REV 3 PCB	PFS-1-81 PFS-1-81	JJS/5-11-81 SJS/1-81

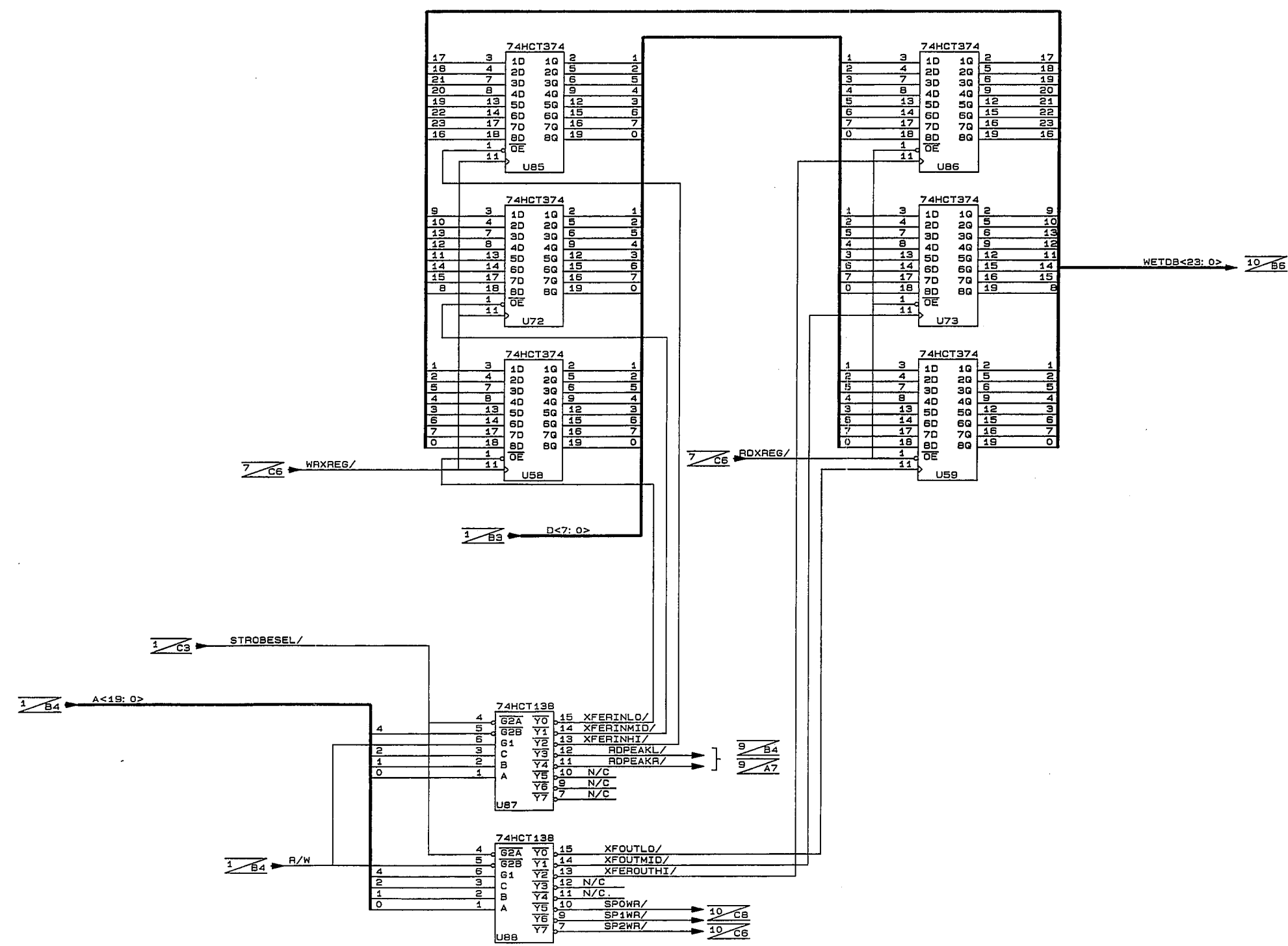
CONTRACT NO.		lexicon	
		100 BEAVER ST. WALTHAM, MA. 02154	
APPROVALS	DATE	TITLE	
DRAWN PF	2-13-86	SCHEMATIC, HOST, M480L SERIAL AUDIO INPUT	
CHECKED PF	4/28/86	SIZE	CODE NUMBER
ISSUED RJ	4/28/86	D	060-04384
S.C.	JZ 3/3/86	REV.	3
		SHEET 6 OF 10	



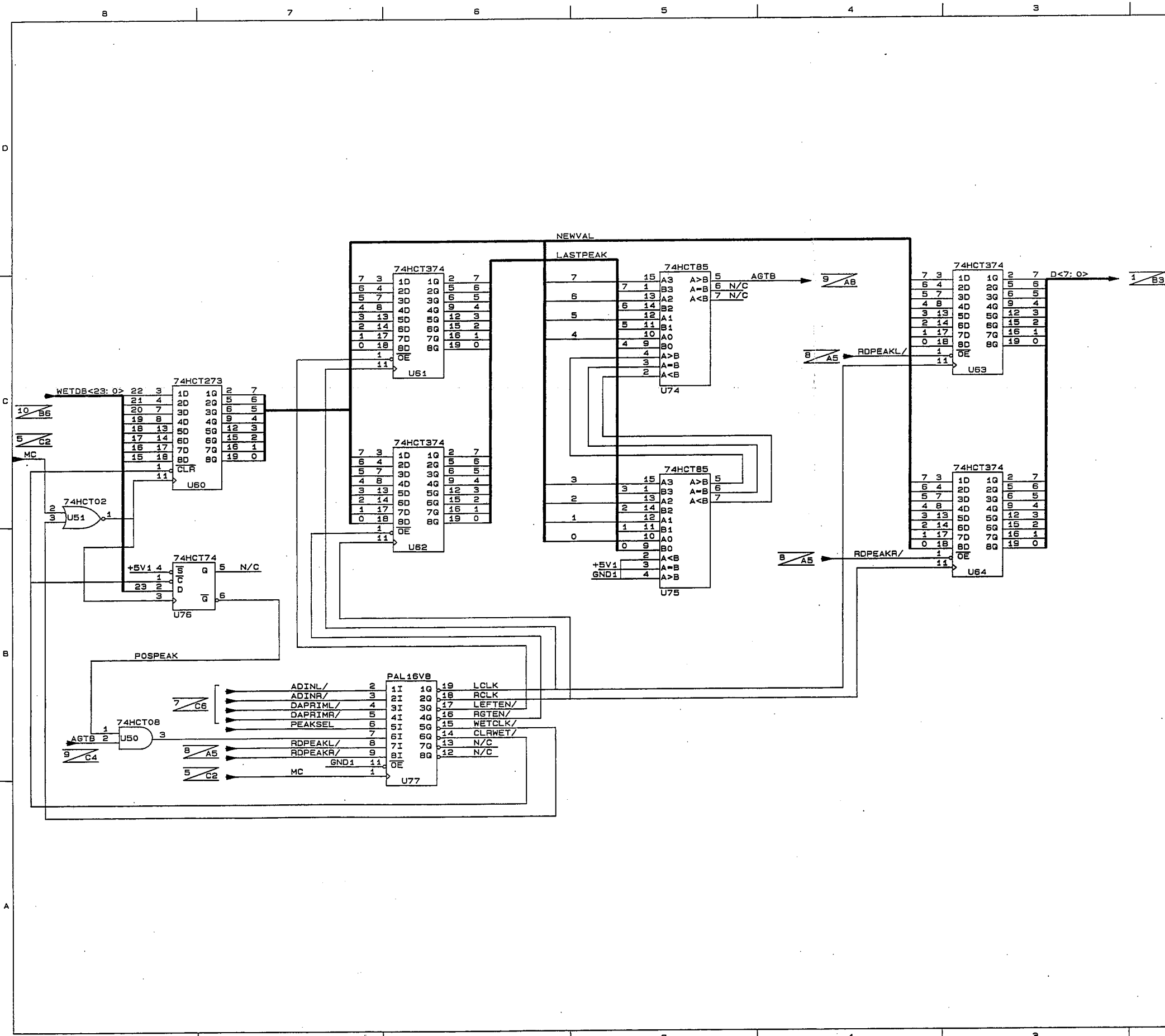
REVISIONS			
REV	DESCRIPTION	DRAFTER/CHECKER	G.C./AUTHORIZED
3	REDRAWN FOR PRODUCTION RELEASE OF REV 3 PCB	PF 5/11/87 PF 5/11/87	SWS 5/11/87 PF 5/11/87
4	REVISE PER ECO 870709-00	PF 5/3/87	8/8/87 8/8/87

CONTRACT NO.		100 BEAVER ST. WALTHAM, MA. 02154	
APPROVALS		TITLE	
DATE		SCHEMATIC, HOST, M480L	
DRAWN PF 2-13-86		SERIAL AUDIO OUTPUT	
CHECKED PF 4/28/86		SIZE	CODE NUMBER
ISSUED RJ 4/28/86		D	060-04384
G.C. JZ 3/3/86		REV.	4
		SHEET 7 OF 10	

REVISIONS			
REV	DESCRIPTION	DRAFTER/CHECKER	G.C./AUTHORIZED
3	REDRAWN FOR PRODUCTION RELEASE OF REV 3 PCB	PF 5-1-87 PF 5-11-87	JJW 5-11-87 P 5-11-87

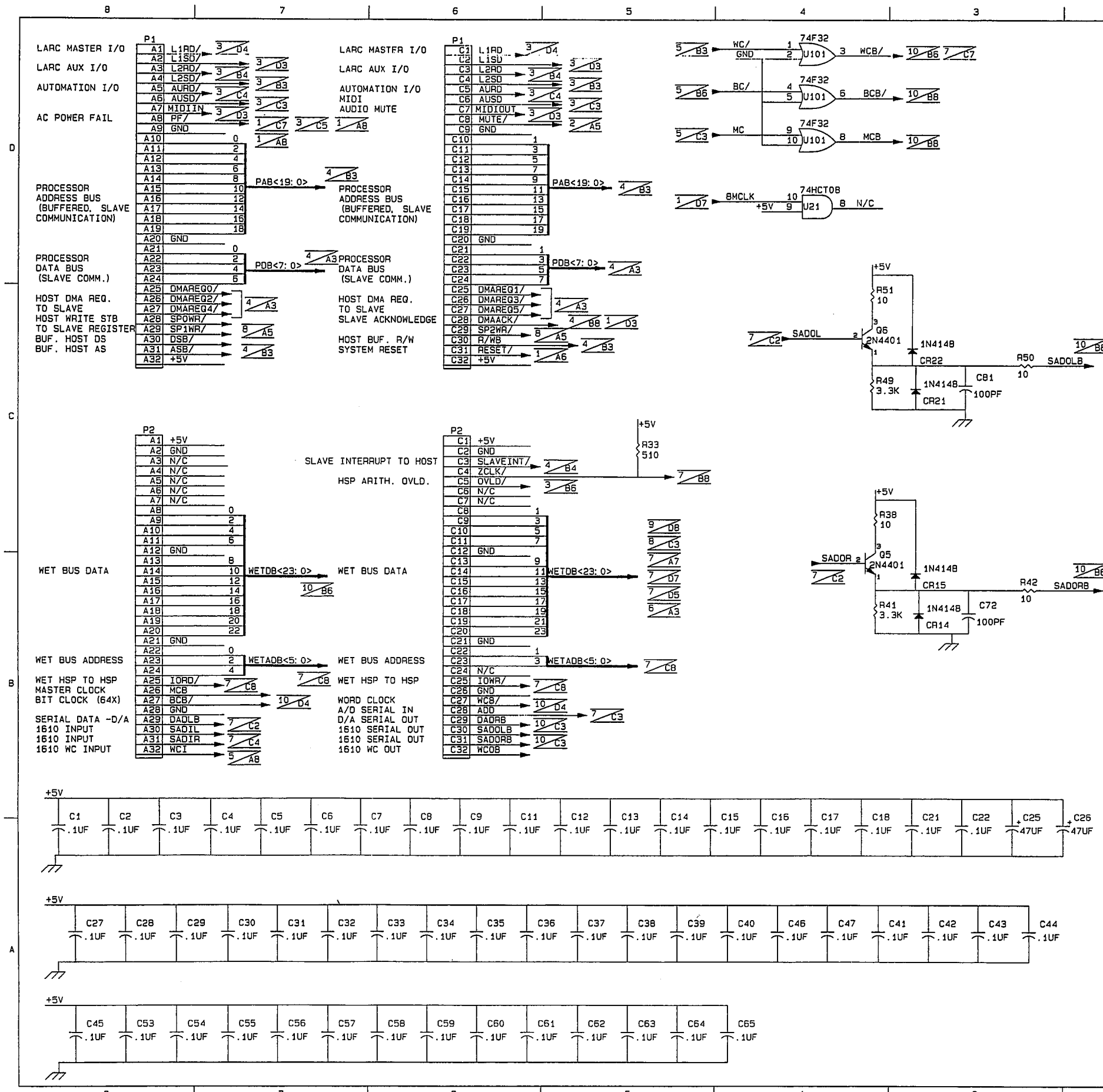


CONTRACT NO.		Exicon 100 BEAVER ST. WALTHAM, MA. 02154		
APPROVALS	DATE	TITLE SCHEMATIC, HOST, M480L TRANSFER REGISTERS		
DRAWN PF	2-13-86	SIZE	CODE	NUMBER
CHECKED RJ	4/28/86	D		060-04384
ISSUED RJ	4/28/86			3
G.C. JZ	3/3/86	SHEET 8 OF 10		

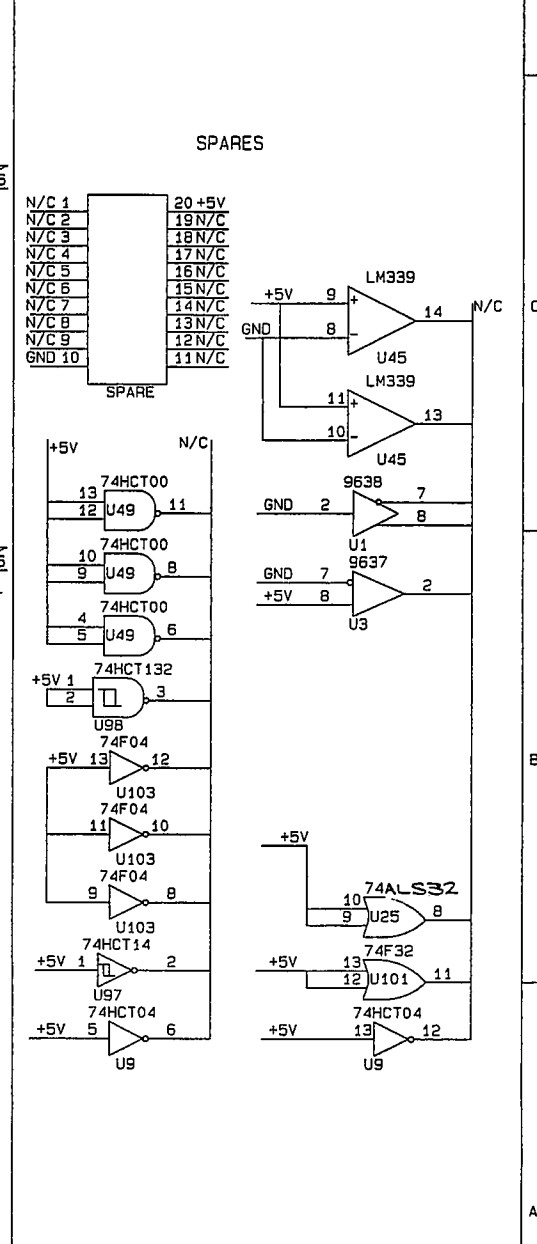


REVISIONS			
REV	DESCRIPTION	DRAFTER/CHECKER	Q.C./AUTHORIZED
3	REDRAWN FOR PRODUCTION RELEASE OF REV 3 PCB; REVISE U74 PER ECO B70416-00	PFS-1-87 PFS-11-87	JUL 5-87 PFS-11-87

CONTRACT NO.		Lexicon	
		100 BEAVER ST. WALTHAM, MA. 02154	
APPROVALS		TITLE	
DRAWN PF		SCHEMATIC, HOST, M480L	
CHECKED PF		DIGITAL PEAK DETECT	
ISSUED RJ		SIZE	CODE NUMBER
G.C. JZ		D	060-04384
DATE		REV.	3
2-13-86		SHEET 9 OF 10	
4/28/86			
4/28/86			
3/3/86			



REVISIONS			
REV	DESCRIPTION	DRAWN/CHECKER	D.C. / AUTHORIZED
3	REDRAWN FOR PRODUCTION RELEASE OF REV 3 PCB	PF 5/11/87	SW 5/11/87
4	REVISED U21 PER ECO 870604-00.	PF 8/3/87	JZ 8/6/87
5	REVISED PER ECO# 900411-01	RW 8/30/90	RWH 9/4/90
6	CHANGED U25 FROM 74HCT32 TO 74AC32. PER ECO 911015-00	JRW 9/4/90	CB 9/4/90
7	CHANGED U25 FROM 74AC32 TO 74ALS32 PER ECO# 921211-00	JV 12/22/90	AV 1/11/93



CONTRACT NO.		lexicon	
		100 BEAVER ST. WALTHAM, MA. 02154	
APPROVALS		TITLE	
DRAWN PF	DATE 2-13-86	SCHEMATIC, HOST, M480L CONNECTORS AND BYPASSES	
CHECKED PF	4/28/86	SIZE D	CODE NUMBER 060-04384
ISSUED RJ	4/28/86		REV. 7
D.C. JZ	3/3/86	SHEET 10 OF 10	