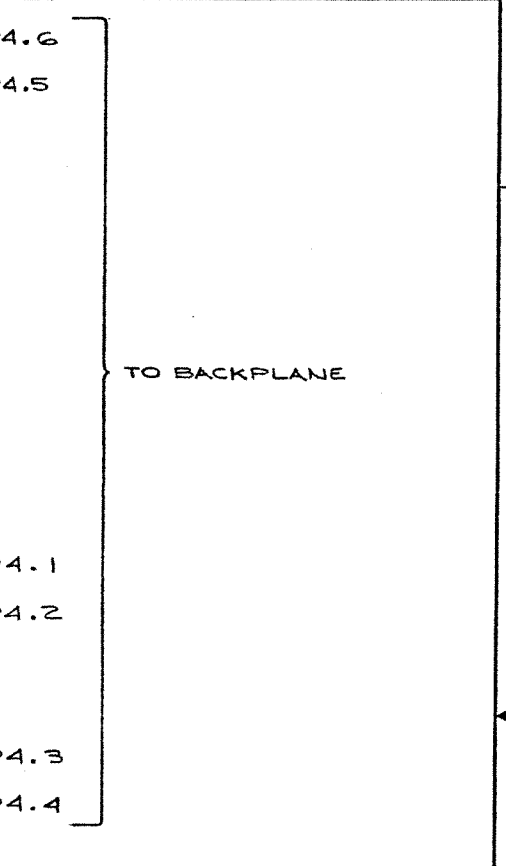
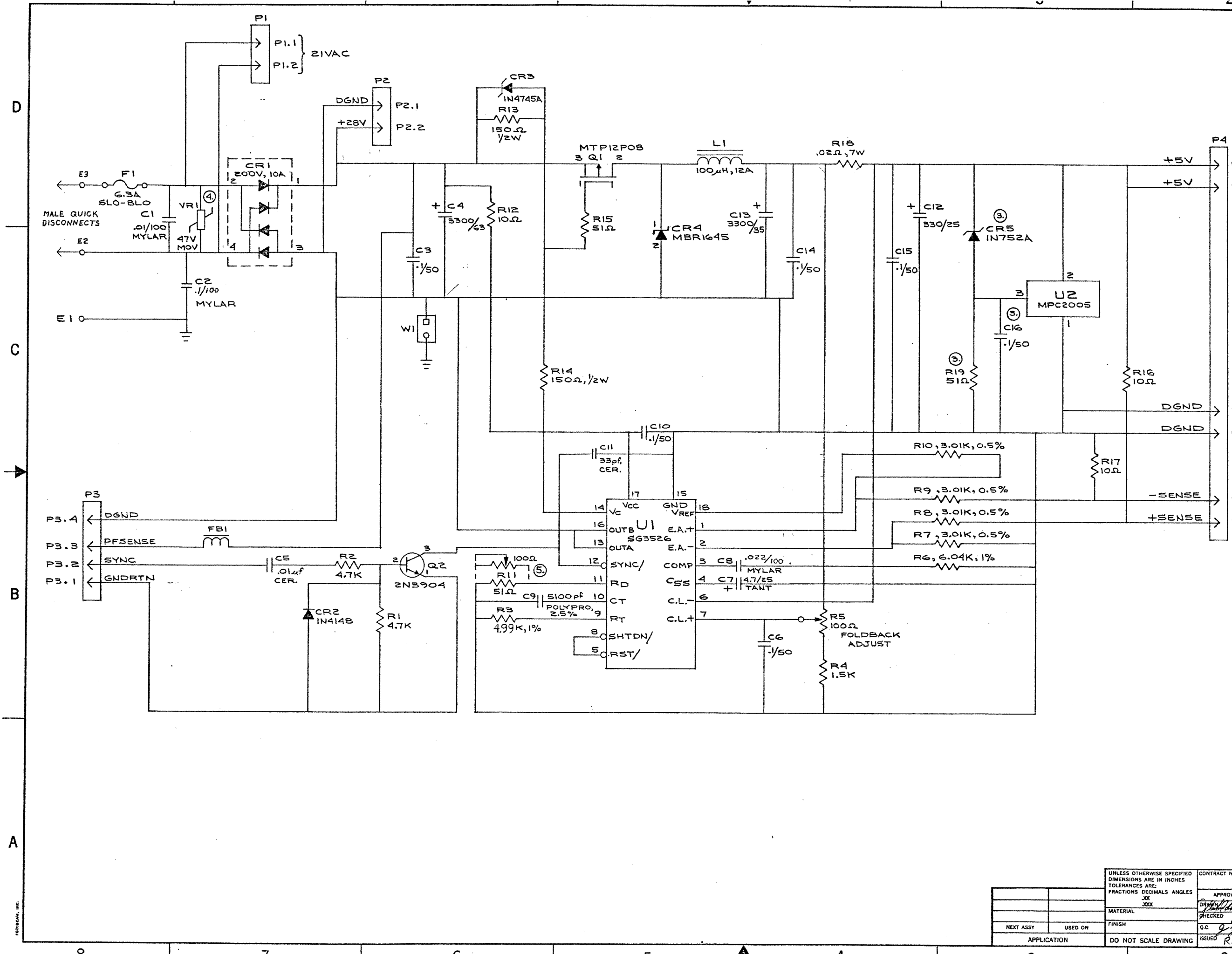


REVISIONS			
REV.	DESCRIPTION	DWR/CHKD	Q.C./AUTH
0	RELEASE FOR PRODUCTION		RJ 2/25/86
1	ADDED E3 AND E2 'OFF-BOARD' CONNECTIONS AND CHANGED VALUE OF C2 PER ECO #860425-00	RS 5/13/86	RS 5/13/86
2	CHANGED R3, R6, AND C8 PER ECO #860528-01 CHANGED R6, R13 AND C5 PER ECO #860703-00	K.A.S. 7/5/86	RJ 7/17/86



- NOTES**
- UNLESS OTHERWISE INDICATED, RESISTORS ARE 5%, 1/4W.
 - UNLESS OTHERWISE INDICATED, CAPACITORS ARE UF/V.
 - THESE COMPONENTS INSTALLED ONLY IN THE EVENT THAT U2, THE MPC2005, BECOMES UNAVAILABLE. IN THIS CASE, U2 WOULD BECOME 2N6400 SCR, PART NO. 320-01013.
 - VARIATOR INSTALLATION OPTIONAL.
 - R11 HAS A DUAL-LAYOUT FOR A FIXED RESISTOR OR A TRIM POTENTIOMETER.

UNLESS OTHERWISE SPECIFIED DIMENSIONS ARE IN INCHES TOLERANCES ARE: FRACTIONS DECIMALS ANGLES XXX XXXX		CONTRACT NO.		lexicon	
APPROVALS	DATE	1/14/86		SCHEMATIC	
DRAWN	1/14/86			5 VOLT POWER SUPPLY, M480L	
CHECKED	2/25/86	SIZE	FSCM NO.	DWG. NO.	REV.
Q.C.	2/25/86	D		060-04519	2
ISSUED	2/25/86	SCALE			SHEET 1 OF 1
APPLICATION	DO NOT SCALE DRAWING				

FURNISHED BY

8 7 6 5 4 3 2 1