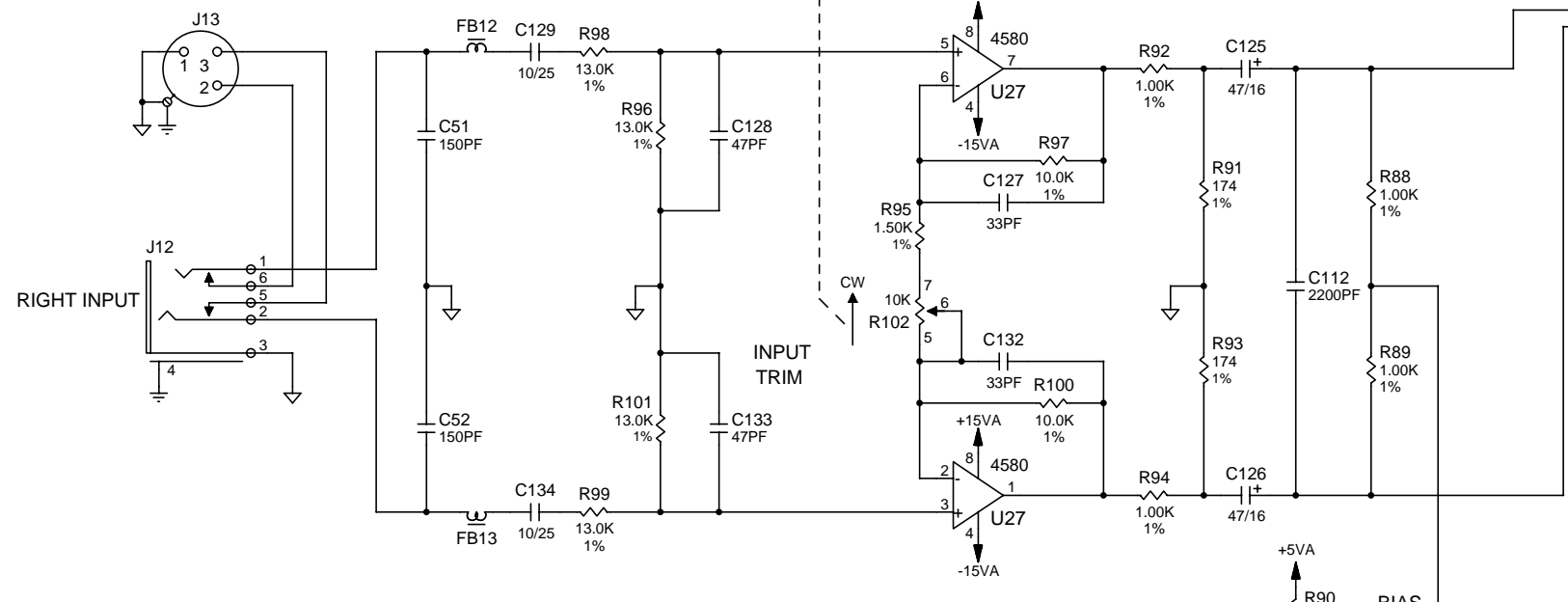
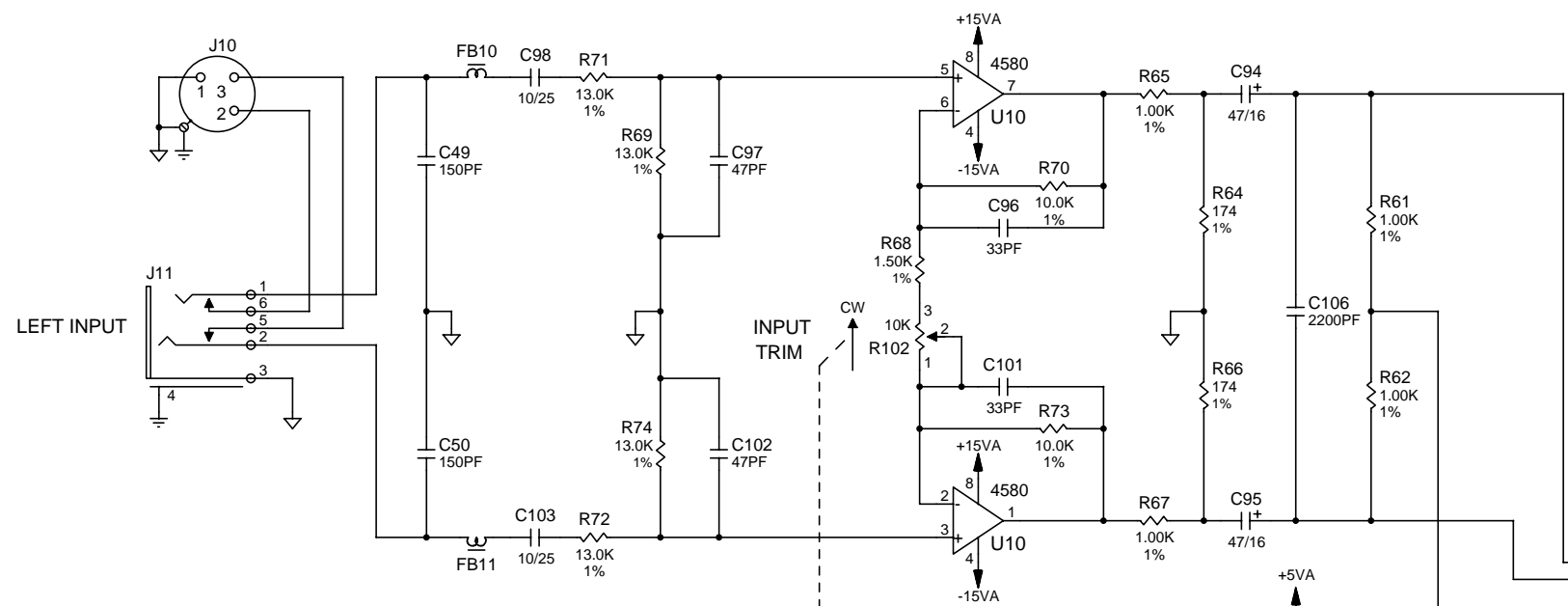
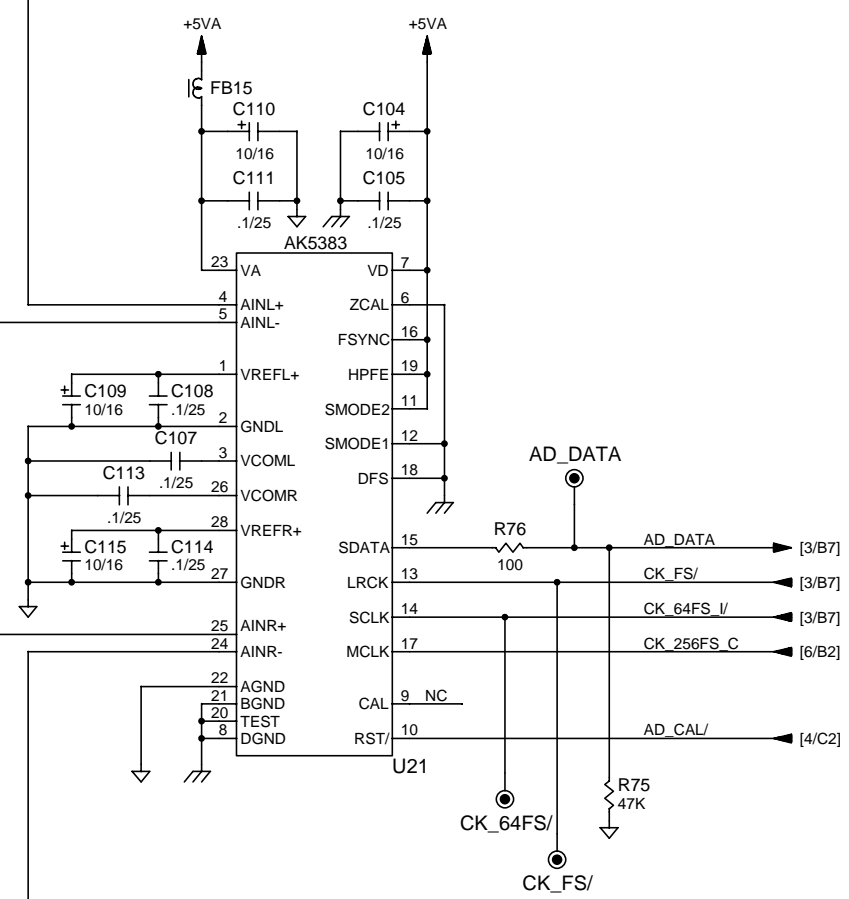


INPUT AMPLIFIER



A/D CONVERTER



REVISIONS				
REV	DESCRIPTION	DRAFTER	CHECKER	Q.C. AUTH.
1	CHANGED PER DCR 010316-00	RWH	JV	CW
2	CHANGED PER DCR 010515-00	RWH	JV	CW
3	CHANGED PER DCR 010829-00	RWH	ECM	CW
4	CHANGED SHTS. 2, 4 & 7 PER DCR 010924-00	RWH	ECM	JV

- NOTES
- UNLESS OTHERWISE INDICATED, RESISTORS ARE 1/10W
 - UNLESS OTHERWISE INDICATED, RESISTORS ARE 5%
 - UNLESS OTHERWISE INDICATED, CAPACITORS ARE UF/V
 - DIGITAL GROUND ANALOG GROUND CHASSIS GROUND CHASSIS SCREW POWER GROUND
 - [XX/XX] DENOTES [SHEET NUMBER/SECTOR]
 - LAST REFERENCE DESIGNATORS USED: C134, D29, FB15, J20, Q1, R102, RP13, SW4, U27, W2, Y2
 - COMPONENTS MARKED WITH * ARE NOT POPULATED.

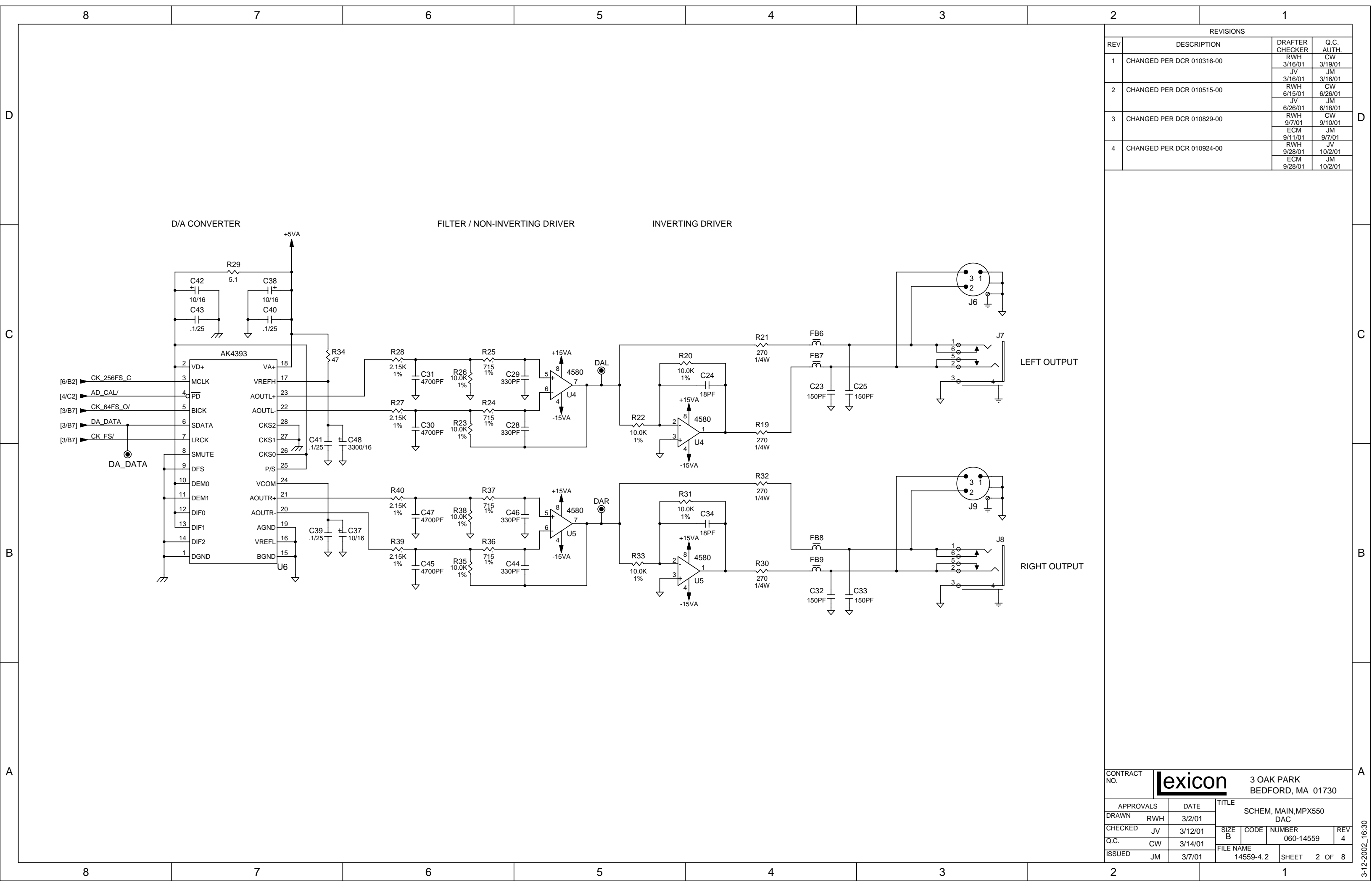
DOCUMENT CONTROL BLOCK: #060-14559

SHEET	REVISION	TITLE
1 OF 8	4	INPUT
2 OF 8	4	DAC
3 OF 8	3	LEXICHP3, DRAM
4 OF 8	4	uPROC, ROM/RAM, CS, RESET
5 OF 8	3	ENCODERS
6 OF 8	3	MIDI, DIGITAL AUDIO OUT
7 OF 8	4	DISPLAY DRIVER
8 OF 8	3	POWER SUPPLY

© 2001 Lexicon, Inc.

CONTRACT NO. **lexicon** 3 OAK PARK BEDFORD, MA 01730

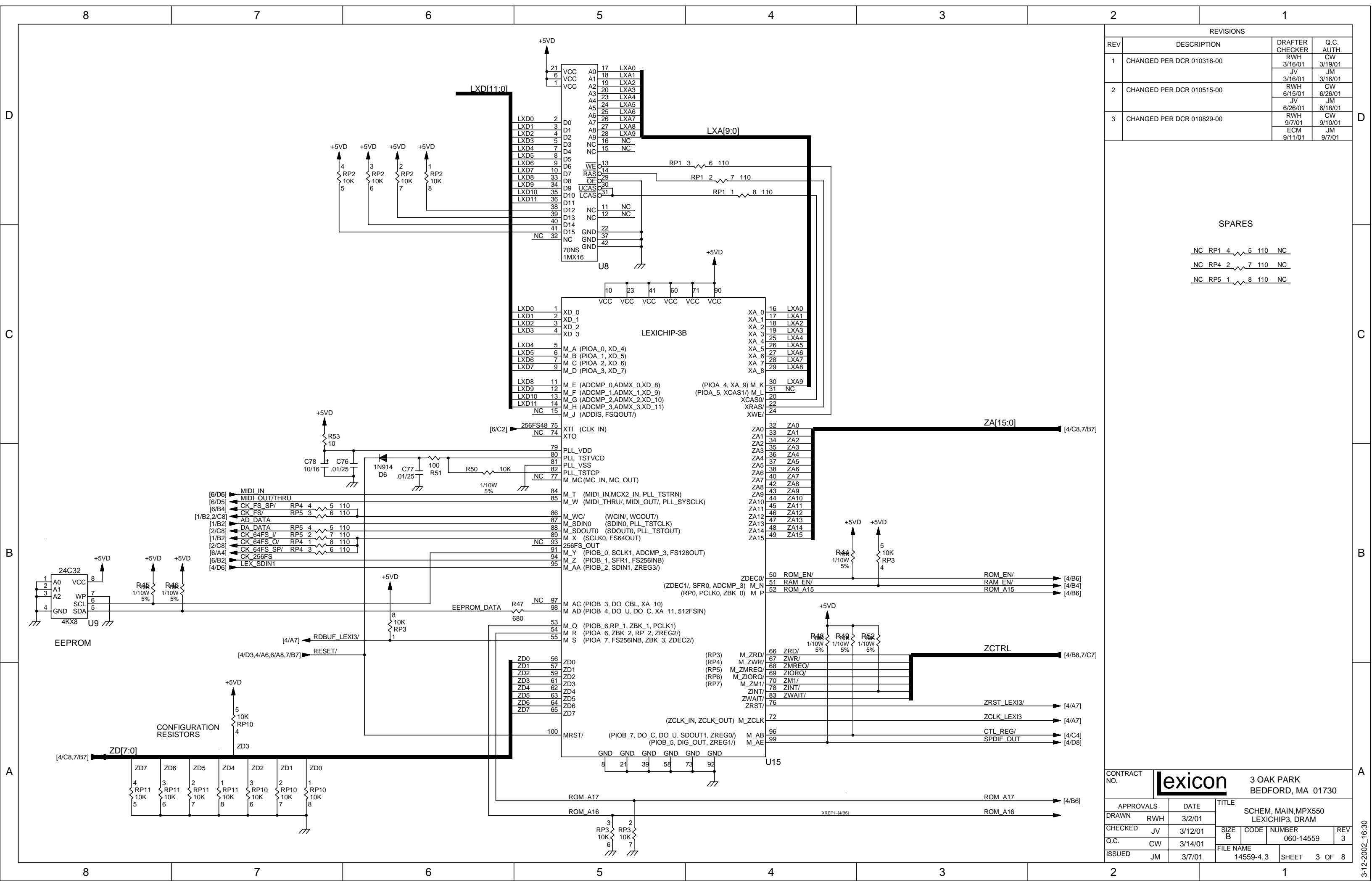
APPROVALS	DATE	TITLE
DRAWN RWH	3/2/01	SCHEM, MAIN,MPX550 INPUT
CHECKED JV	3/12/01	SIZE B CODE NUMBER 060-14559 REV 4
Q.C. CW	3/14/01	FILE NAME 14559-4.1 SHEET 1 OF 8
ISSUED JM	3/7/01	



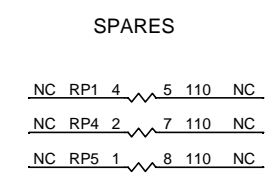
REVISIONS			
REV	DESCRIPTION	DRAFTER CHECKER	Q.C. AUTH.
1	CHANGED PER DCR 010316-00	RWH 3/16/01	CW 3/19/01
		JV 3/16/01	JM 3/16/01
2	CHANGED PER DCR 010515-00	RWH 6/15/01	CW 6/26/01
		JV 6/26/01	JM 6/18/01
3	CHANGED PER DCR 010829-00	RWH 9/7/01	CW 9/10/01
		ECM 9/11/01	JM 9/7/01
4	CHANGED PER DCR 010924-00	RWH 9/28/01	JV 10/2/01
		ECM 9/28/01	JM 10/2/01

CONTRACT NO.		lexicon		3 OAK PARK BEDFORD, MA 01730	
APPROVALS		DATE		TITLE	
DRAWN RWH		3/2/01		SCHEM, MAIN,MPX550 DAC	
CHECKED JV		3/12/01		SIZE B	CODE NUMBER
Q.C. CW		3/14/01		060-14559	
ISSUED JM		3/7/01		FILE NAME	SHEET 2 OF 8
				14559-4.2	

3-12-2002_16:30

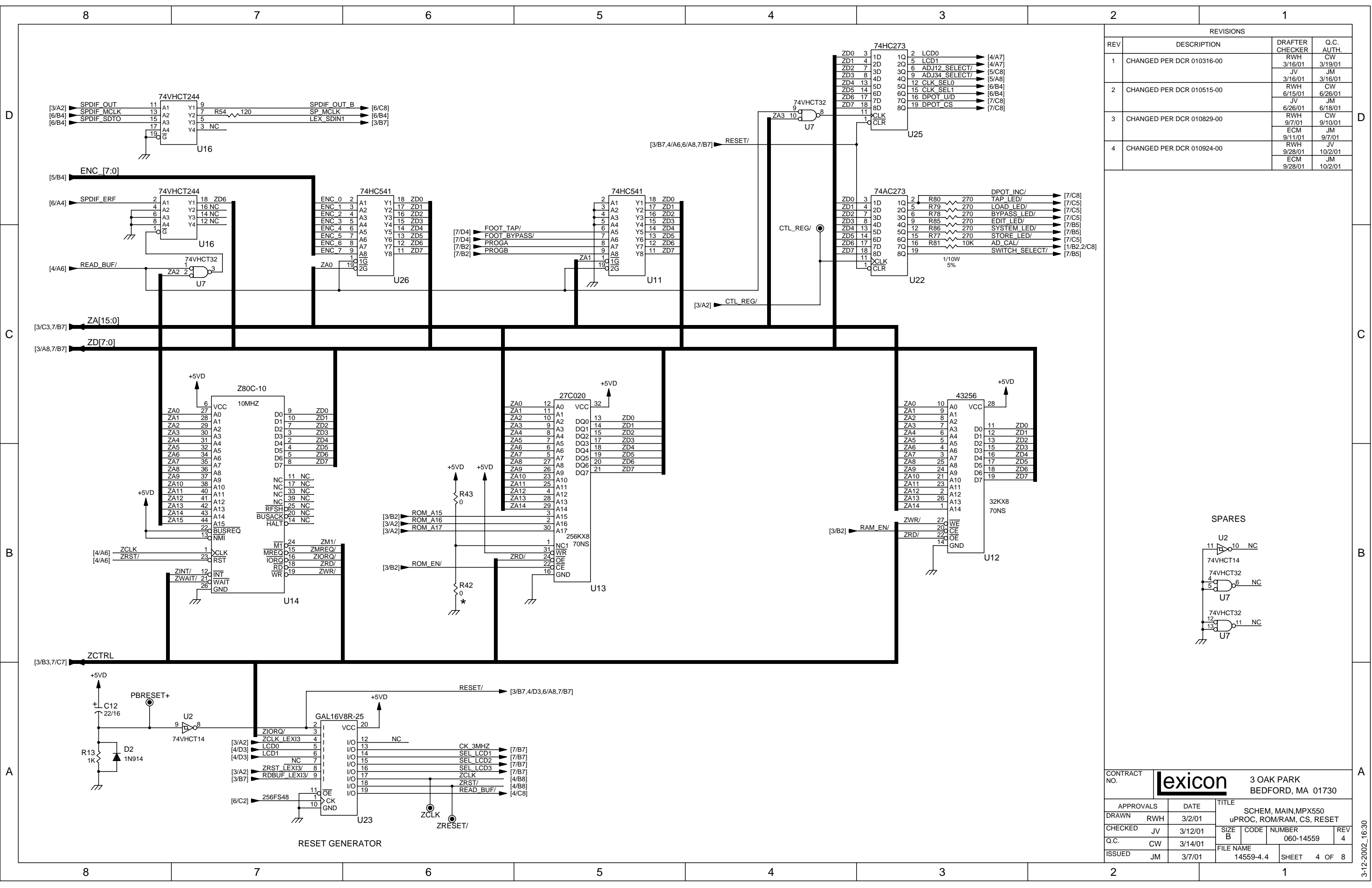


REVISIONS				
REV	DESCRIPTION	DRAFTER	CHECKER	Q.C. AUTH.
1	CHANGED PER DCR 010316-00	RWH	JV	CW
2	CHANGED PER DCR 010515-00	RWH	JV	CW
3	CHANGED PER DCR 010829-00	RWH	ECM	CW



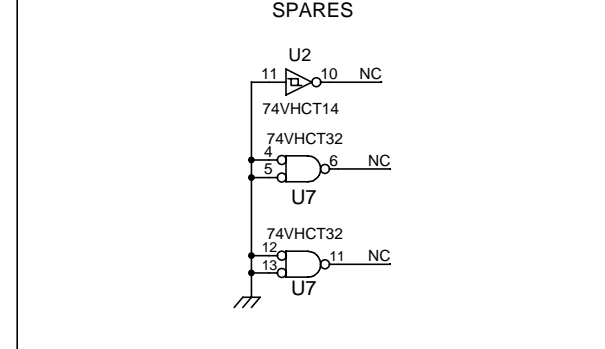
CONTRACT NO.	lexicon	3 OAK PARK BEDFORD, MA 01730
APPROVALS	DATE	TITLE
DRAWN RWH	3/2/01	SCHEM. MAIN.MPX550 LEXICHIP3, DRAM
CHECKED JV	3/12/01	SIZE B CODE NUMBER
Q.C. CW	3/14/01	060-14559
ISSUED JM	3/7/01	FILE NAME
		14559-4.3
		SHEET 3 OF 8

3-12-2002_16:30



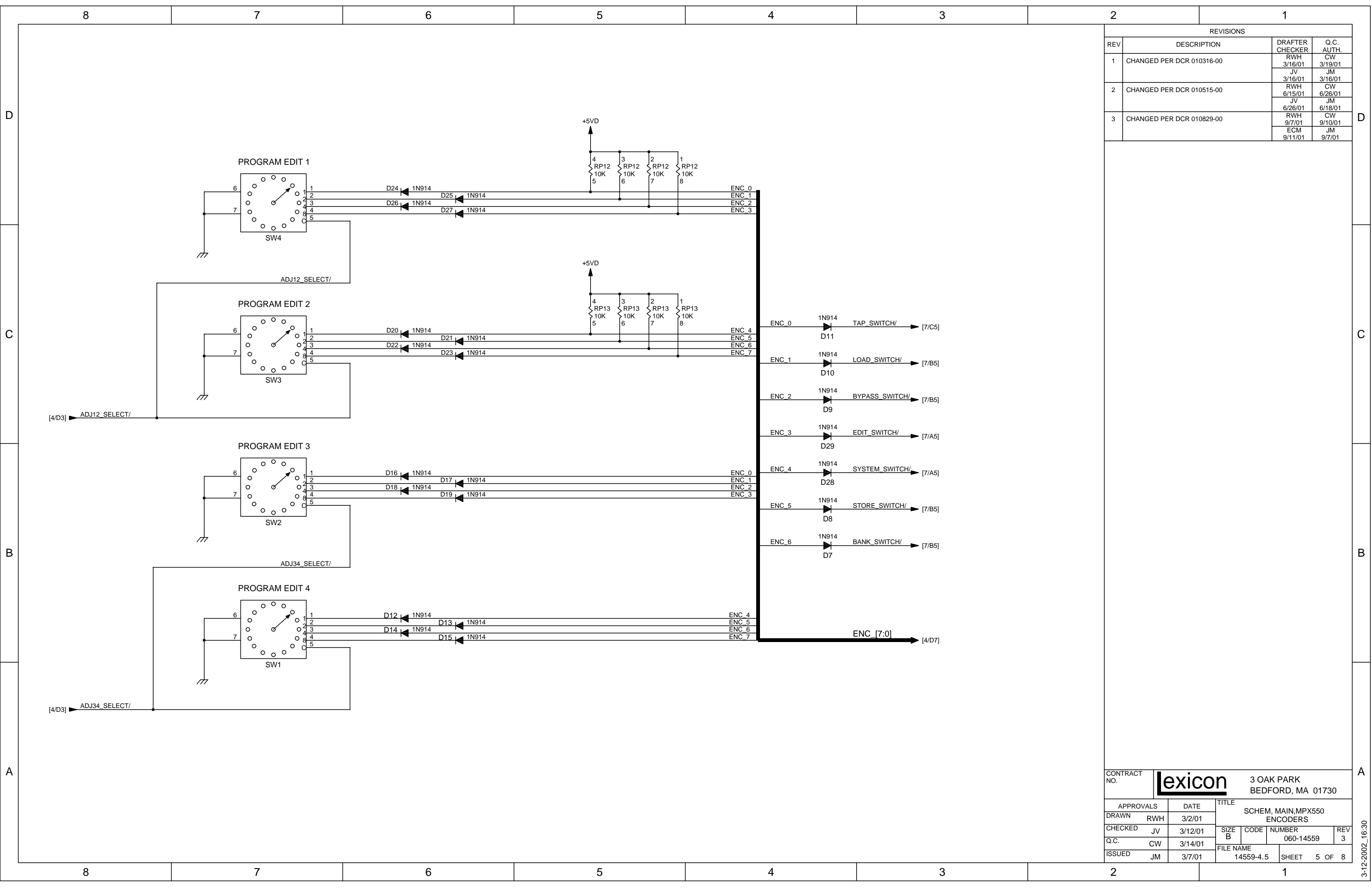
REVISIONS				
REV	DESCRIPTION	DRAFTER	CHECKER	Q.C. AUTH.
1	CHANGED PER DCR 010316-00	RWH	JV	CW
2	CHANGED PER DCR 010515-00	RWH	JV	CW
3	CHANGED PER DCR 010829-00	RWH	JV	CW
4	CHANGED PER DCR 010924-00	RWH	JV	CW

REV	DESCRIPTION	DRAFTER	CHECKER	Q.C. AUTH.
1	CHANGED PER DCR 010316-00	RWH	JV	CW
2	CHANGED PER DCR 010515-00	RWH	JV	CW
3	CHANGED PER DCR 010829-00	RWH	JV	CW
4	CHANGED PER DCR 010924-00	RWH	JV	CW



CONTRACT NO.	lexicon		3 OAK PARK BEDFORD, MA 01730	
APPROVALS	DATE	TITLE		
DRAWN RWH	3/2/01	SCHEM. MAIN.MPX550		
CHECKED JW	3/12/01	SIZE B	CODE	NUMBER
Q.C. CW	3/14/01	060-14559		REV 4
ISSUED JM	3/7/01	FILE NAME		SHEET 4 OF 8
		14559-4.4		

3-12-2002_16:30

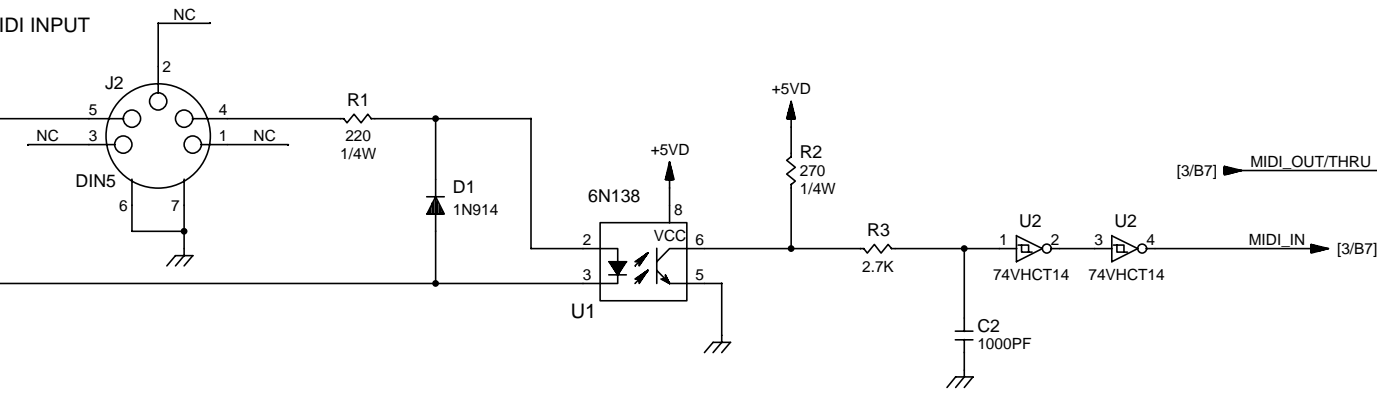


REVISIONS				
REV	DESCRIPTION	DRAFTER	CHECKER	Q.C. AUTH.
1	CHANGED PER DCR 010316-00	RWH	3/16/01	CW
		JV	3/16/01	JM
		RWH	6/15/01	CW
2	CHANGED PER DCR 010515-00	RWH	6/15/01	CW
		JV	6/26/01	JM
		RWH	9/7/01	CW
3	CHANGED PER DCR 010829-00	RWH	9/7/01	CW
		ECM	9/11/01	JM

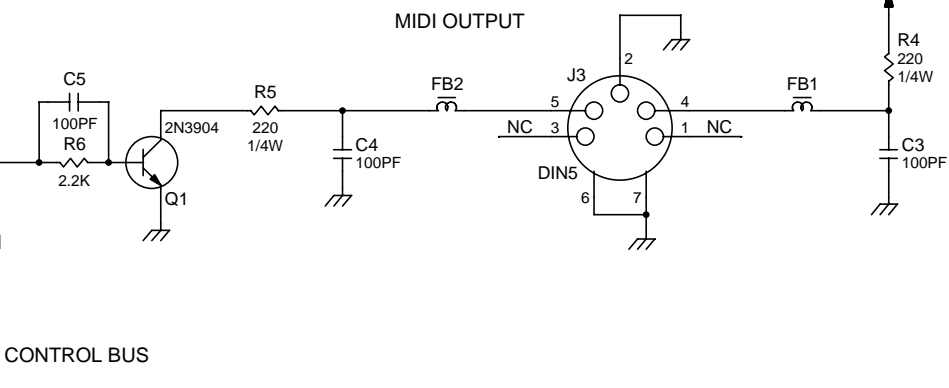
CONTRACT NO.		lexicon		3 OAK PARK BEDFORD, MA 01730	
APPROVALS		DATE		TITLE	
DRAWN RWH		3/2/01		SCHEM. MAIN.MPX550 ENCODERS	
CHECKED JV		3/12/01		SIZE B	CODE NUMBER
Q.C. CW		3/14/01			060-14559
ISSUED JM		3/7/01		FILE NAME	SHEET 5 OF 8
				14559-4.5	

3-12-2002_16:30

MIDI INPUT

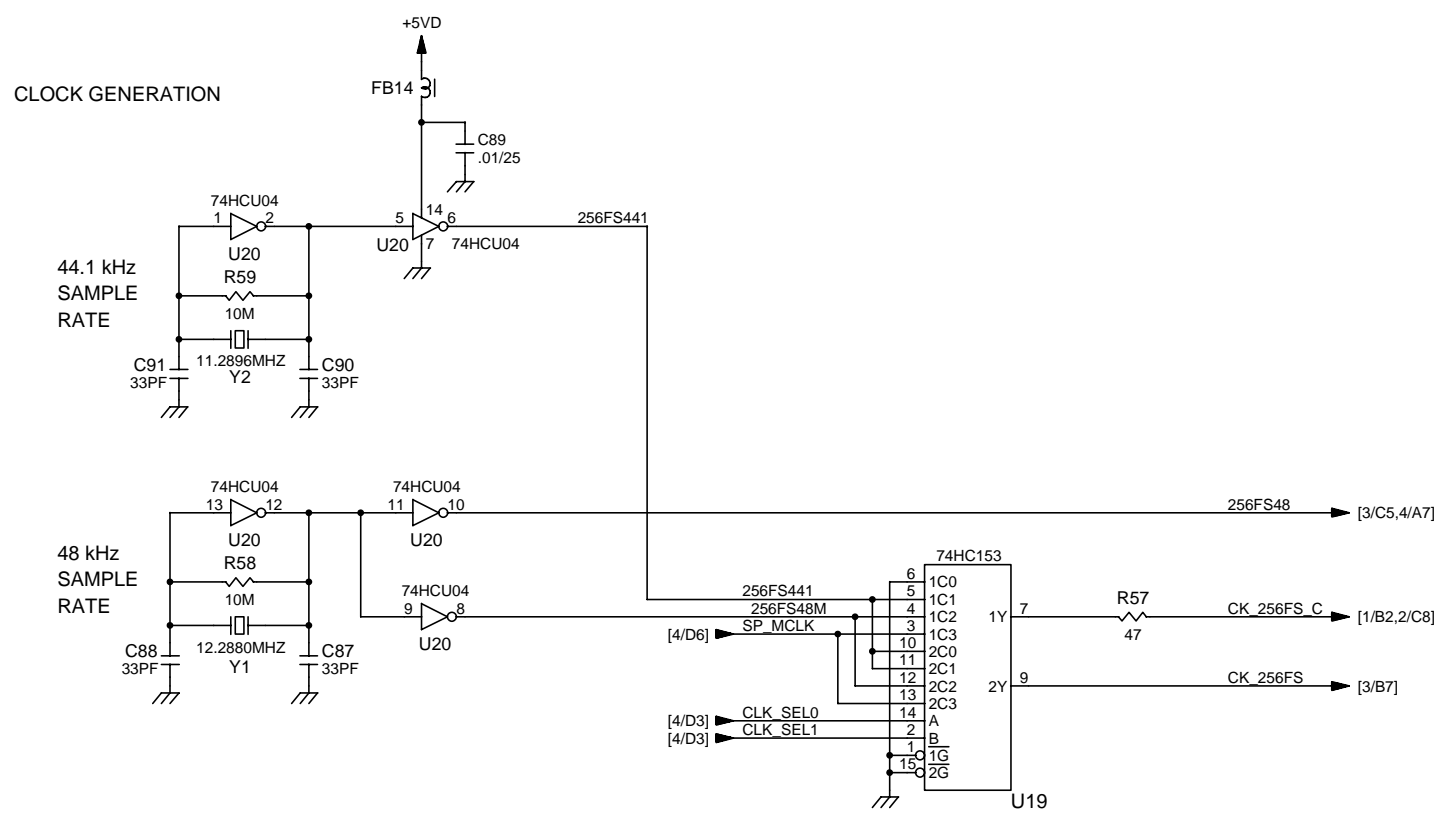


MIDI OUTPUT

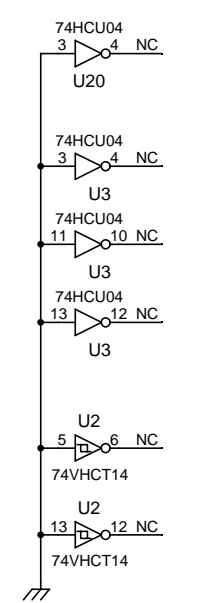


CONTROL BUS

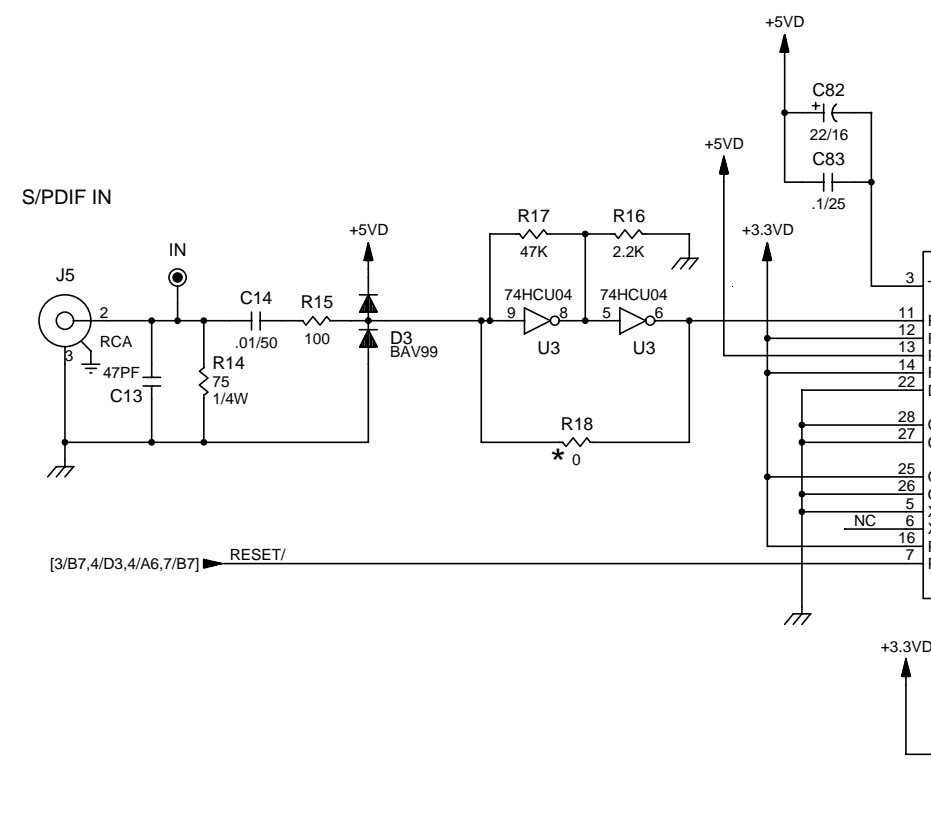
CLOCK GENERATION



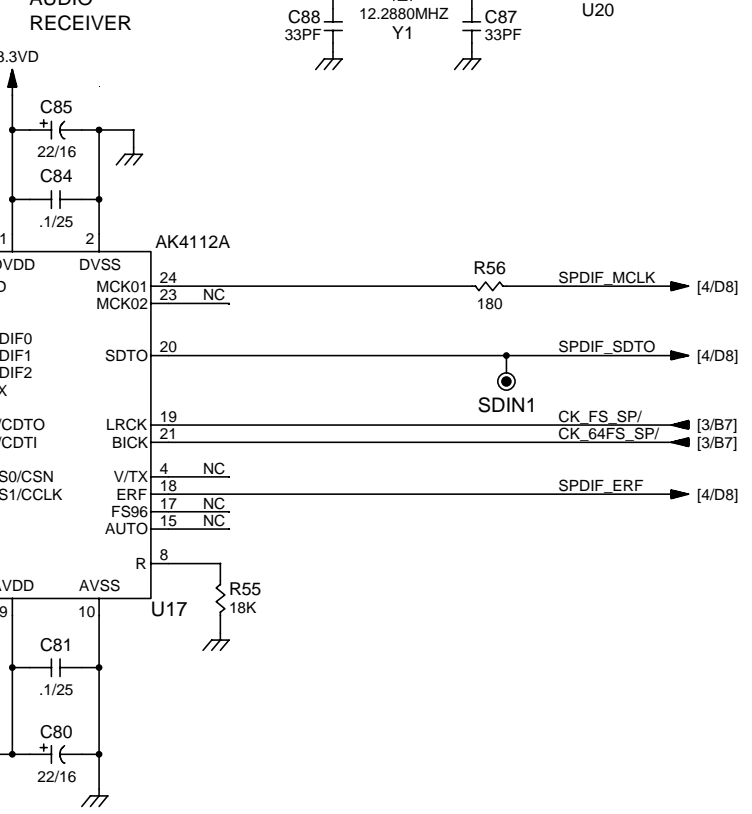
SPARES



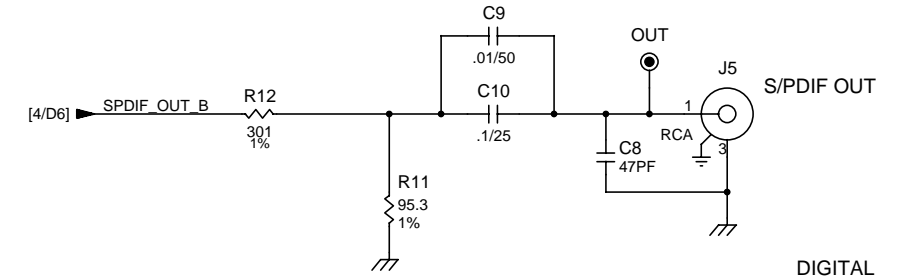
S/PDIF IN



DIGITAL AUDIO RECEIVER



S/PDIF OUT

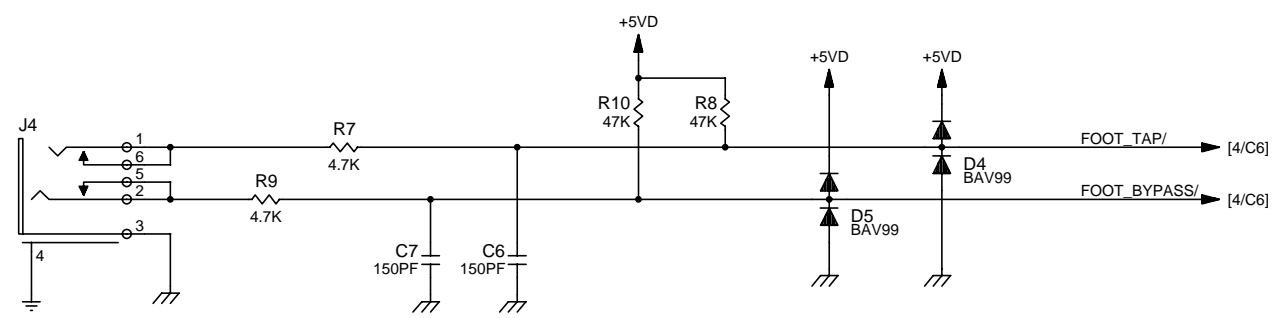


REVISIONS				
REV	DESCRIPTION	DRAFTER	CHECKER	Q.C. AUTH.
1	CHANGED PER DCR 010316-00	RWH	JV	CW
2	CHANGED PER DCR 010515-00	RWH	JV	CW
3	CHANGED PER DCR 010829-00	RWH	JV	CW
		ECM	JM	JM

CONTRACT NO.		lexicon 3 OAK PARK BEDFORD, MA 01730		
APPROVALS	DATE	TITLE		
DRAWN RWH	3/2/01	SCHEM. MAIN.MPX550 MIDI, DIGITAL AUDIO OUT		
CHECKED JV	3/12/01	SIZE B	CODE	NUMBER
Q.C. CW	3/14/01			060-14559
ISSUED JM	3/7/01	FILE NAME	14559-4.6	
		SHEET	6 OF 8	

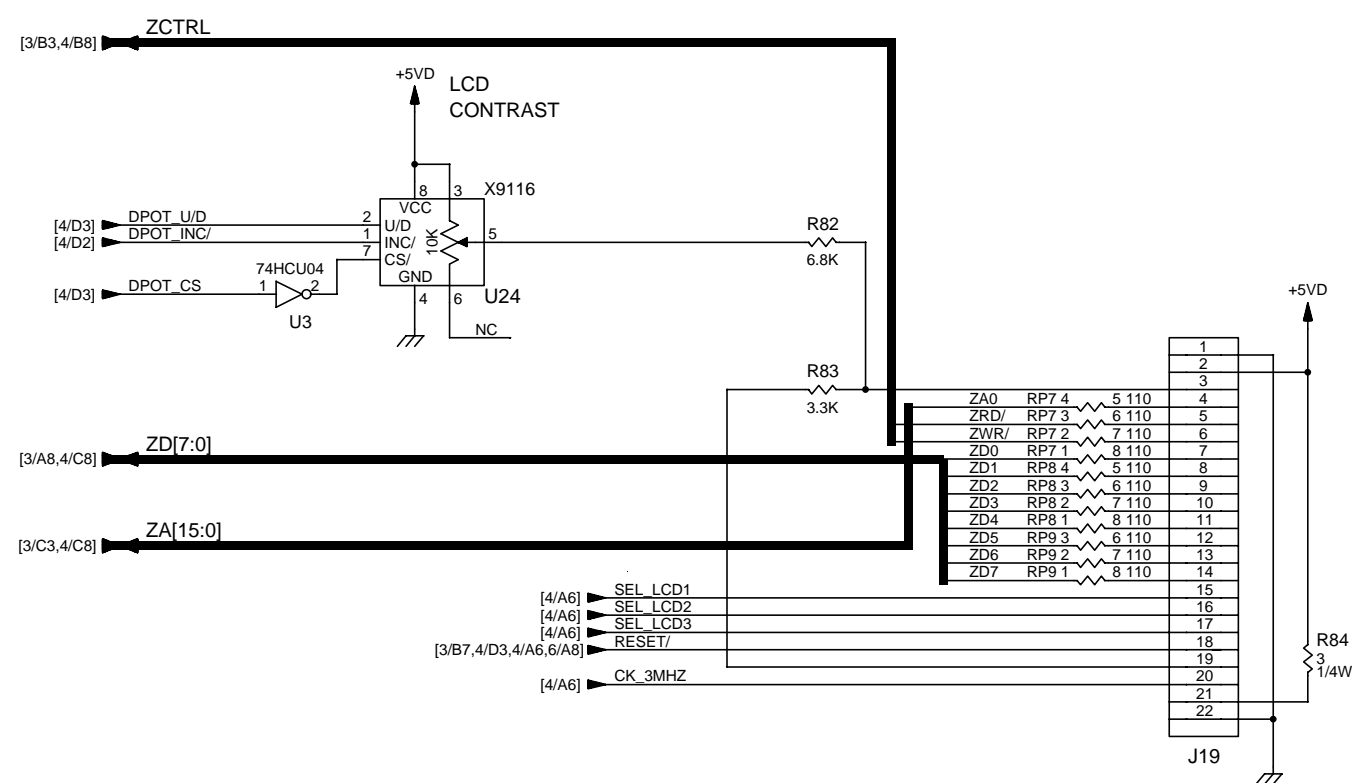
3-12-2002_16:30

REVISIONS			
REV	DESCRIPTION	DRAFTER CHECKER	Q.C. AUTH.
1	CHANGED PER DCR 010316-00	RWH 3/16/01 JV 3/16/01	CW 3/19/01 JM 3/16/01
2	CHANGED PER DCR 010515-00	RWH 6/15/01 JV 6/26/01	CW 6/26/01 JM 6/18/01
3	CHANGED PER DCR 010829-00	RWH 9/7/01 ECM 9/11/01	CW 9/10/01 JM 9/7/01
4	CHANGED PER DCR 010924-00	RWH 9/28/01 ECM 9/28/01	JV 10/2/01 JM 10/2/01

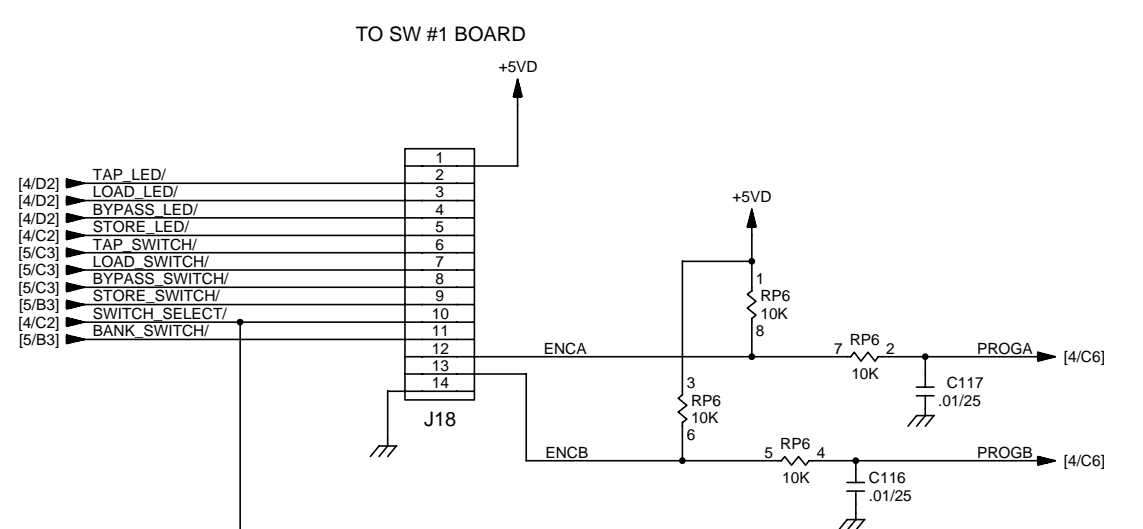


FOOTSWITCHES

SPARES
NC RP9 4 5 110 NC



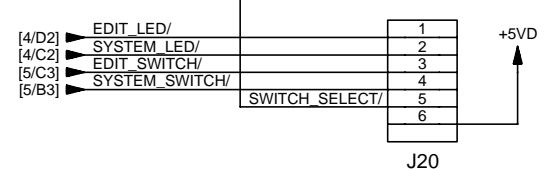
LCD CONTRAST



TO SW #1 BOARD

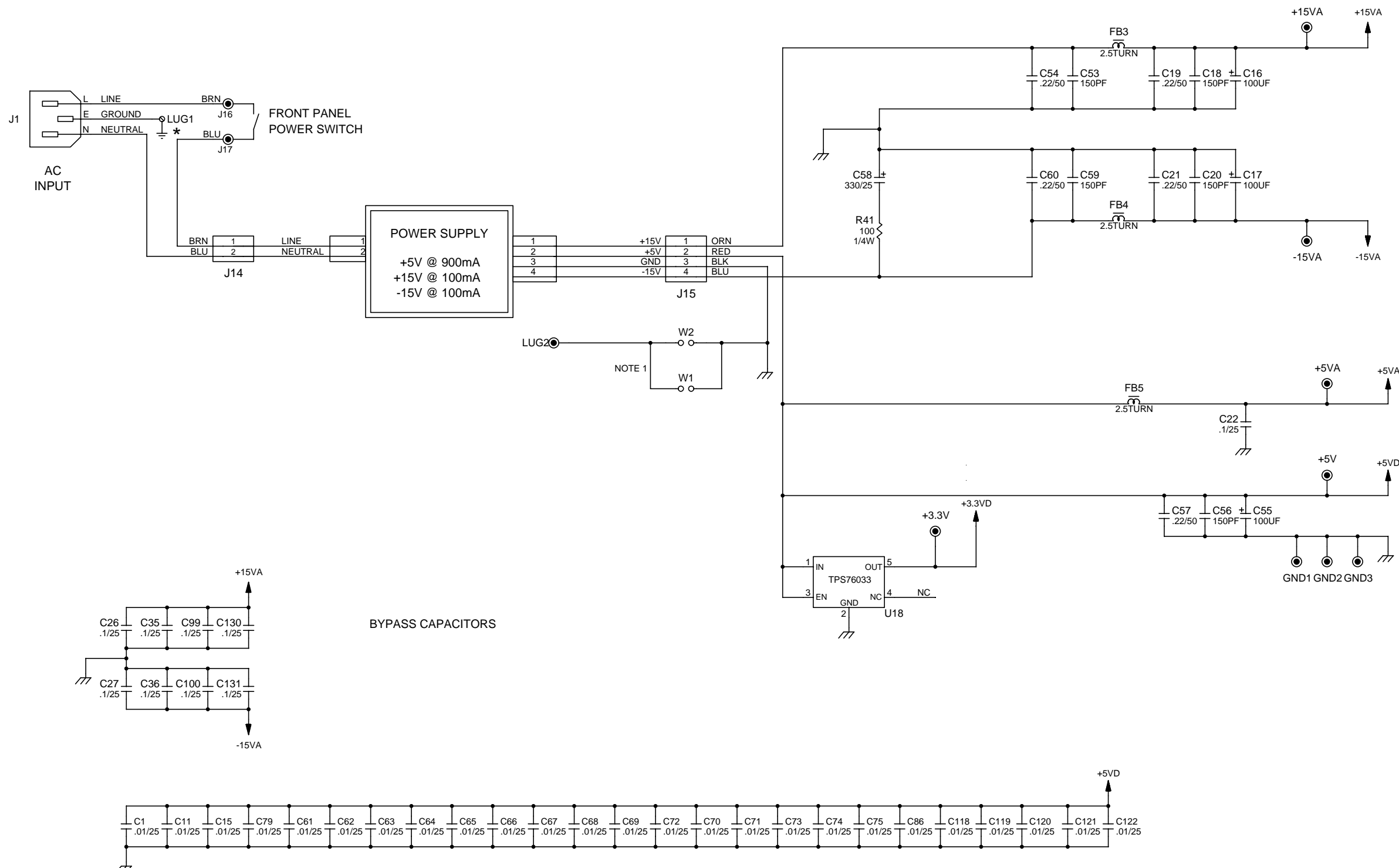


TO LCD DISPLAY



TO SW #2 BOARD

CONTRACT NO.		lexicon		3 OAK PARK BEDFORD, MA 01730	
APPROVALS		DATE		TITLE	
DRAWN RWH		3/2/01		SCHEM, MAIN,MPX550 DISPLAY DRIVER	
CHECKED JV		3/12/01		SIZE B	CODE NUMBER
Q.C. CW		3/14/01		060-14559	
ISSUED JM		3/7/01		FILE NAME	REV 4
				14559-4.7	060-14559
				SHEET	7 OF 8



REVISIONS				
REV	DESCRIPTION	DRAFTER	CHECKER	Q.C. AUTH.
1	CHANGED PER DCR 010316-00	RWH	JV	CW
		3/16/01	3/16/01	3/19/01
2	CHANGED PER DCR 010515-00	RWH	JV	CW
		6/15/01	6/15/01	6/26/01
3	CHANGED PER DCR 010829-00	RWH	JV	CW
		9/7/01	9/7/01	9/10/01
		ECM	JM	JM
		9/11/01	9/11/01	9/7/01

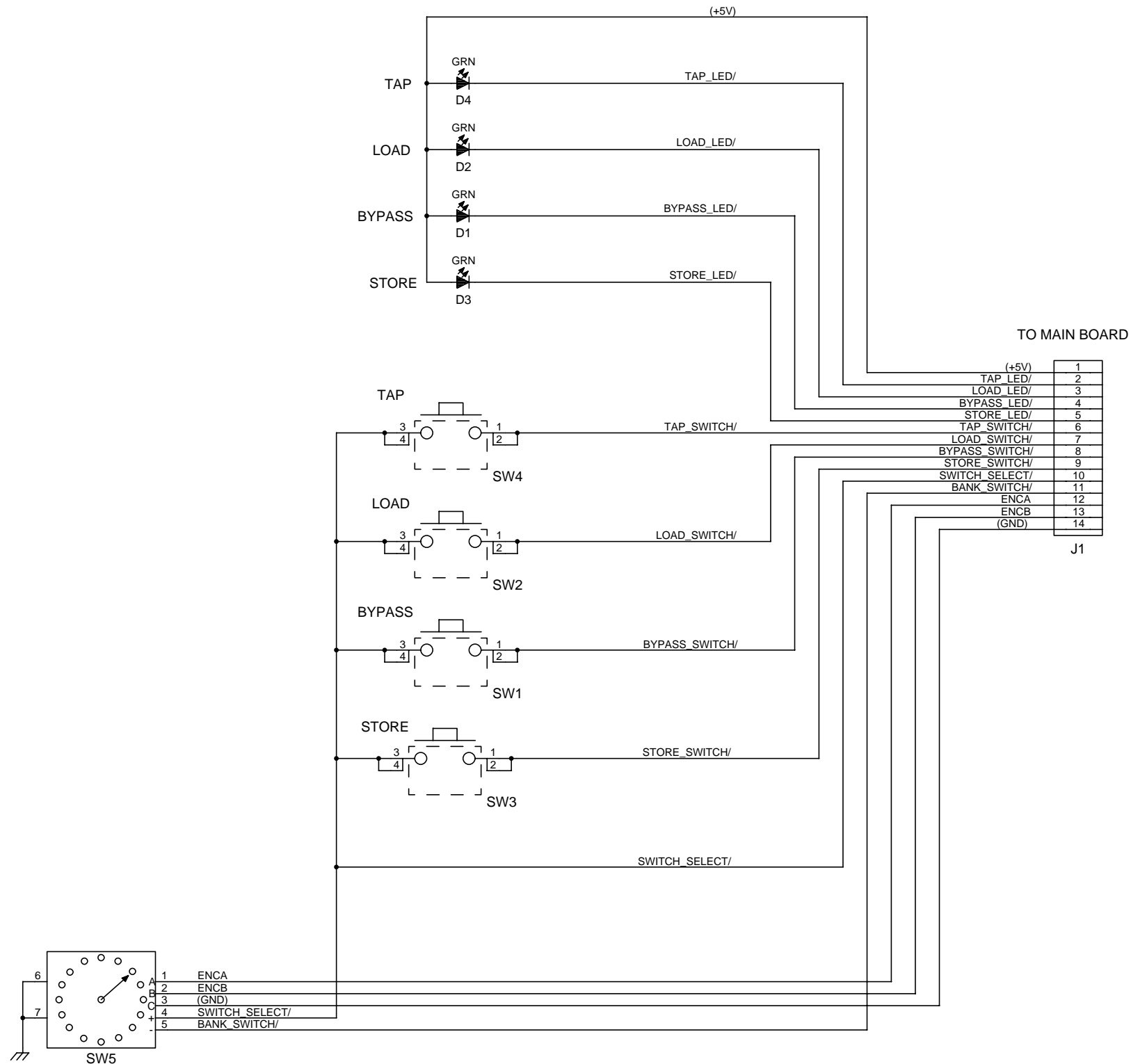
NOTES

1 INSTALL W1 OR W2 TO TIE POWER SUPPLY GROUND ETCH DIRECTLY TO CIRCUIT GROUND.

CONTRACT NO.		lexicon		3 OAK PARK BEDFORD, MA 01730	
APPROVALS		DATE		TITLE	
DRAWN RWH		3/2/01		SCHEM, MAIN.MPX550 POWER SUPPLY	
CHECKED JV		3/12/01		SIZE B	CODE NUMBER
Q.C. CW		3/14/01		060-14559	
ISSUED JM		3/7/01		FILE NAME	SHEET 8 OF 8
				14559-4.8	

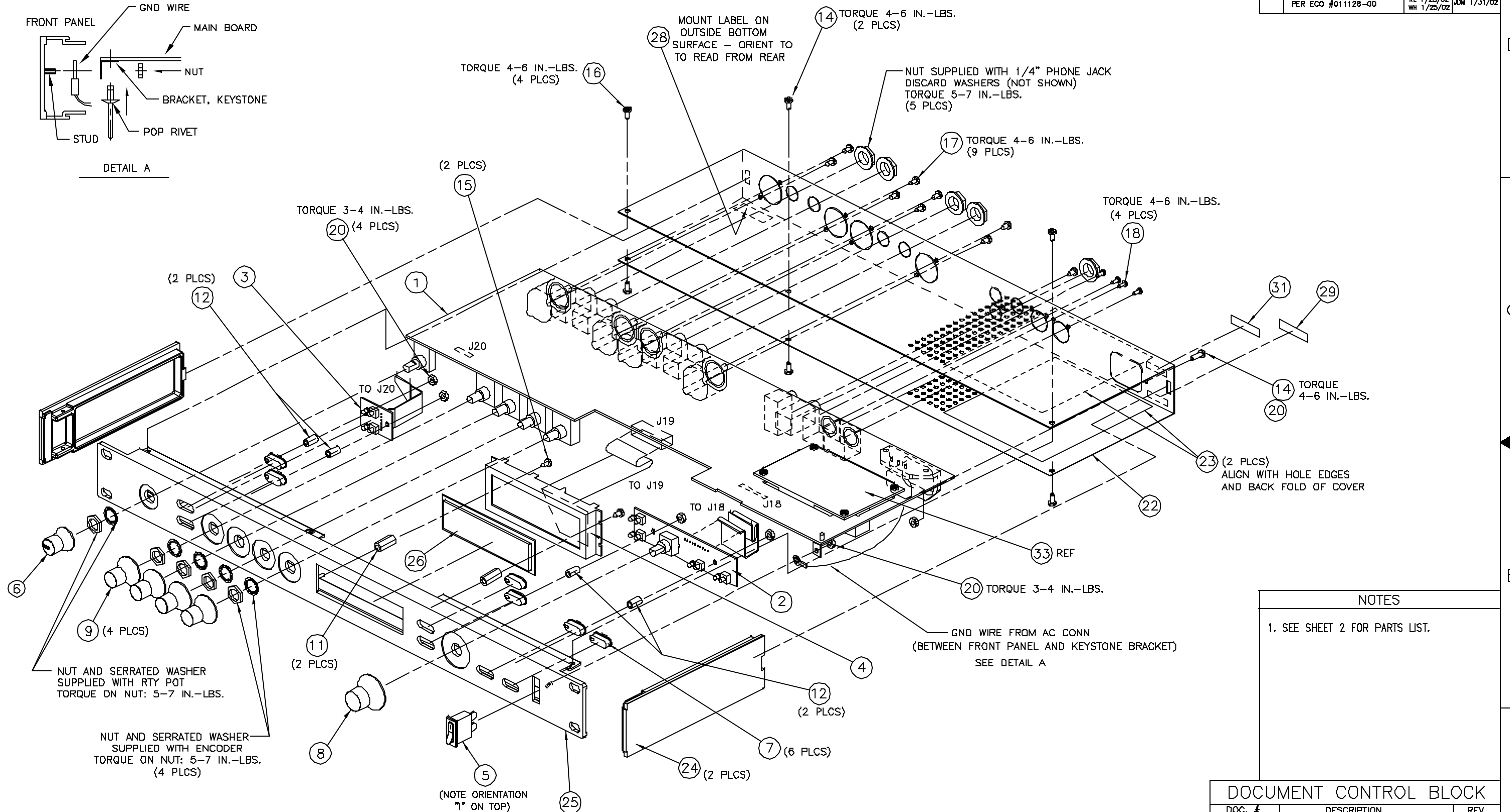
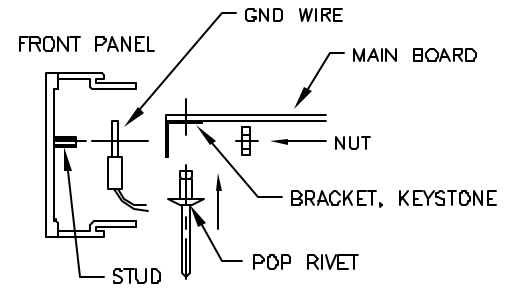
3-12-2002_16:30

REVISIONS			
REV	DESCRIPTION	DRAFTER CHECKER	Q.C. AUTH.



CONTRACT NO.	lexicon	3 OAK PARK BEDFORD, MA 01730		
APPROVALS	DATE	TITLE		
DRAWN RWH	6/25/99	SCHEM,SW #1,MPX500		
CHECKED ECM	6/25/99	SIZE B	CODE	NUMBER 060-14139
Q.C. CW	6/25/99	REV 0		
ISSUED JW	6/25/99	FILE NAME 14139-0.1	SHEET 1 OF 1	

REVISIONS			
REV.	DESCRIPTION	DWR/CHKD	D.C./AUTH
1	CHG SCRW P/N - ITEM 17 PER EGO #011128-00	AN 12/18/01 RL 1/25/02 WH 1/25/02	CW 1/30/02 JDM 1/31/02



NOTES

1. SEE SHEET 2 FOR PARTS LIST.

DOCUMENT CONTROL BLOCK

DOC. #	DESCRIPTION	REV.
080-14915	ASSY DWG, CHASSIS SHT 1 OF 2	1
080-14915	ASSY DWG, CHASSIS SHT 2 OF 2	1

ACAD 2000 FILE NAME: 14915-11

TITLE: ASSY DWG, CHASSIS, MPX550

APPROVALS	DATE
DRAWN AN	3/14/01
CHECKED RL WH	7/24/01
Q.C. CW DS	7/28/01
ISSUED JDM	7/28/01

SIZE	FSCM NO.	DWG. NO.	REV.
B		080-14915	1

SCALE: N/A

SHEET 1 OF 2

UNLESS OTHERWISE SPECIFIED DIMENSIONS ARE IN INCHES TOLERANCES ARE: .XX ±.010 ANGLE: ±1/2° .XXX ±.005

MATERIAL: MPX550

FINISH: USED ON

APPLICATION: DO NOT SCALE DRAWING

8 7 6 5 4 3 2 1

REVISIONS

REV.	DESCRIPTION	DWR/CHKD	D.C./AUTH
1	CHG SCRW P/N - ITEM 17 PER ECO #011128-00	AN 12/18/01 RL 1/25/02 WH 1/25/02	EW 1/30/02 JON 1/31/02

ITEM#	PART#	DESCRIPTION	QTY	WHERE USED
1.	023-14909	PL, MAIN BD ASSY	1	
2.	023-14111	PL, SW#1 BD ASSY	1	
3.	023-14112	PL, SW#2 BD ASSY	1	
4.	430-14152	DISP, LCD	1	
5.	454-11095	SWITCH, ROCKER, 1P2T, VERTSLIM	1	
6.	550-11929	KNOB, .69D, 6MM/FL, BLK, LINE	1	
7.	550-11931	BUTTON, .24X.64, BLK, W/LT PIPE	6	
8.	550-14169	KNOB, 1.05D, 6MM/FL, BLK	1	
9.	550-14639	KNOB, .85D, 6MM/FL, BLK	4	
10.				
11.	630-14114	SPCR, 4-40 X 7/16, 3/16 HEX, NYLON	2	DISPLAY TO FRONT PANEL
12.	635-12831	SPCR, .14 ID X .25OD X .375L, AL	4	SW BDS TO FRONT PANEL
13.				
14.	640-02812	SCRW, 4-40X3/8, PNH, PH, BZ	3	COVER TO FRONT PANEL (2), AC CONN (1)
15.	640-14115	SCRW, 4-40X3/16, PNH, PH, NYLON	2	DISPLAY TO FRONT PANEL
16.	641-10989	SCRW, TAP, #4X3/8, PNH, PH, BZ	4	COVER TO SIDE
17.	641-14898	SCRW, TAP, #4X1/4, PNH, PH, BZ, TRI	9	XLR & RCA CONN TO COVER
18.	641-12759	SCRW, TAP, #2X1/4, PNH, PH, BZ	4	DIN CONN TO COVER
19.				
20.	643-01732	NUT, 4-40, KEP, ZN	6	SW BDS TO FRONT PANEL (4), MAIN BD TO FRONT PANEL (1), AC CONN (1)
21.				
22.	700-14918	COVER	1	
23.	702-14177	COVER, PROTECTIVE, PS	2	COVER, INSIDE
24.	702-14640	PANEL, SIDE, ABS	2	
25.	702-14916	PANEL, FRONT	1	
26.	703-14167	LENS, CLR	1	
27.				
28.	740-08558	LABEL, TUV CERTIFIED, BAYERN	1	COVER, TOP
29.	740-09538	LABEL, S/N, CHASSIS	1	COVER, REAR
30.				
31.	740-13573	LABEL, MFR ID	1	COVER, REAR
32.				
33.	750-14151	PWR SUPPLY	REF	
34.				
35.				

NOTES

1. PART NUMBER LISTING IS FOR REFERENCE ONLY AND DOES NOT SUPERSEDE THE BOM: #022-14908

UNLESS OTHERWISE SPECIFIED DIMENSIONS ARE IN INCHES TOLERANCES ARE:		ACAD 2000 FILE NAME		lexicon	
DECIMALS: .XX ±.010 ANGLE: ±1/2°		14915-12		TITLE	
.XXX ±.005		APPROVALS		ASSY DWG, CHASSIS, MPX550	
MATERIAL		DRAWN		DATE	
MPX550		AN		3/14/01	
FINISH		CHECKED		RL WH	
NEXT ASSY		RL WH		7/24/01	
USED ON		Q.C.		CV. DS	
APPLICATION		ISSUED		JON	
DO NOT SCALE DRAWING		SCALE		N/A	
		DWG. NO.		080-14915	
		REV.		1	
		SHEET		2 OF 2	

8 7 6 5 4 3 2 1

D

C

B

A

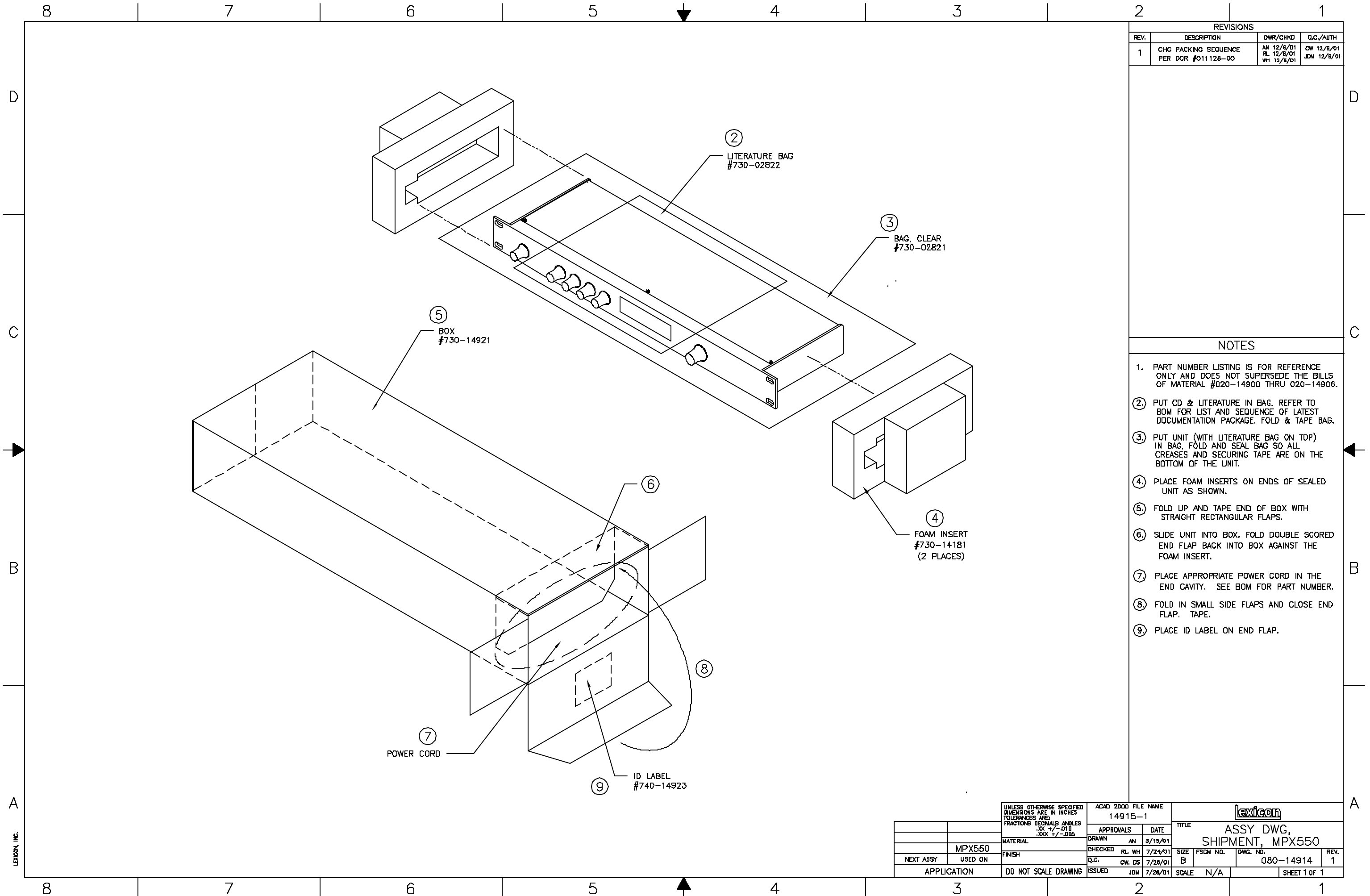
D

C

B

A

LEXICON, INC.



REVISIONS			
REV.	DESCRIPTION	DWR/CHKD	Q.C./AUTH
1	CHG PACKING SEQUENCE PER DGR #011128-00	AN 12/8/01 RL 12/8/01 WH 12/8/01	CW 12/8/01 JDM 12/8/01

NOTES

1. PART NUMBER LISTING IS FOR REFERENCE ONLY AND DOES NOT SUPERSEDE THE BILLS OF MATERIAL #020-14900 THRU 020-14906.
2. PUT CD & LITERATURE IN BAG. REFER TO BOM FOR LIST AND SEQUENCE OF LATEST DOCUMENTATION PACKAGE. FOLD & TAPE BAG.
3. PUT UNIT (WITH LITERATURE BAG ON TOP) IN BAG. FOLD AND SEAL BAG SO ALL CREASES AND SECURING TAPE ARE ON THE BOTTOM OF THE UNIT.
4. PLACE FOAM INSERTS ON ENDS OF SEALED UNIT AS SHOWN.
5. FOLD UP AND TAPE END OF BOX WITH STRAIGHT RECTANGULAR FLAPS.
6. SLIDE UNIT INTO BOX. FOLD DOUBLE SCORED END FLAP BACK INTO BOX AGAINST THE FOAM INSERT.
7. PLACE APPROPRIATE POWER CORD IN THE END CAVITY. SEE BOM FOR PART NUMBER.
8. FOLD IN SMALL SIDE FLAPS AND CLOSE END FLAP. TAPE.
9. PLACE ID LABEL ON END FLAP.

UNLESS OTHERWISE SPECIFIED DIMENSIONS ARE IN INCHES TOLERANCES ARE: FRACTIONS DECIMALS ANGLES .XX +/- .010 .XXX +/- .006		ACAD 2D00 FILE NAME 14915-1	lexicon	
MATERIAL MPX550		DRAWN AN 5/15/01	TITLE ASSY DWG, SHIPMENT, MPX550	
FINISH		CHECKED RL WH 7/24/01	SIZE B	REV. 1
NEXT ASSY USED ON		Q.C. CW DS 7/28/01	FDWN NO. 080-14914	DWG. NO. 080-14914
APPLICATION DD NOT SCALE DRAWING		ISSUED JDM 7/28/01	SCALE N/A	SHEET 1 OF 1

LEXICON, INC.

BOMs from Minx 2/11/02

PART NO.	DESCRIPTION	QTY	EFFECTIVE	INACTIVE	REFERENCE
MPX550 MAIN BOARD ASSEMBLY					
120-14142	ADHESIVE,EPOXY,THERM COND	0.00			U17
200-14157	POT,RTY,10K15CX2,7MMFL,14,15L	1.00			R102
202-09795	RESSM,RO,5%,1/10W,2.2K OHM	2.00			R6,16
202-09871	RESSM,RO,5%,1/10W,1K OHM	1.00			R13
202-09899	RESSM,RO,5%,1/10W,47 OHM	2.00			R34,57
202-10557	RESSM,RO,5%,1/10W,4.7K OHM	2.00			R7,9
202-10558	RESSM,RO,5%,1/10W,47K OHM	4.00			R8,10,17,75
202-10559	RESSM,RO,5%,1/10W,100 OHM	3.00			R15,51,76
202-10569	RESSM,RO,5%,1/10W,10 OHM	1.00			R53
202-10570	RESSM,RO,5%,1/10W,120 OHM	1.00			R54
202-10574	RESSM,RO,5%,1/10W,10M OHM	2.00			R58,59
202-10586	RESSM,RO,5%,1/4W,100 OHM	1.00			R41
202-10597	RESSM,RO,5%,1/10W,180 OHM	1.00			R56
202-10891	RESSM,RO,5%,1/10W,270 OHM	6.00			R77-80,85,86
202-10946	RESSM,RO,5%,1/10W,3.3K OHM	1.00			R83
202-11041	RESSM,RO,5%,1/10W,680 OHM	1.00			R47
202-11042	RESSM,RO,5%,1/10W,6.8K OHM	1.00			R82
202-11071	RESSM,RO,5%,1/4W,75 OHM	1.00			R14
202-11072	RESSM,RO,5%,1/4W,220 OHM	3.00			R1,4,5
202-11073	RESSM,RO,5%,1/4W,270 OHM	5.00			R2,19,21,30,32
202-11347	RESSM,RO,5%,1/4W,3 OHM	1.00			R84
202-11683	RESSM,RO,5%,1/10W,5.1 OHM	1.00			R29
202-12836	RESSM,RO,5%,1/10W,2.7K OHM	1.00			R3
202-14584	RESSM,RO,5%,1/10W,10K OHM,0603	8.00			R44-46,48-50,52,81
202-14585	RESSM,RO,0 OHM,0603	1.00			R43
202-14619	RESSM,RO,5%,1/10W,18K OHM	1.00			R55
203-10583	RESSM,RO,1%,1/10W,10.0K OHM	16.00			R20,22,23,26,31,33 R35,38,60,63,70,73 R87,90,97,100
203-10896	RESSM,RO,1%,1/10W,1.00K OHM	8.00			R61,62,65,67,88,89 R92,94
203-11075	RESSM,RO,1%,1/10W,95.3 OHM	1.00			R11
203-11726	RESSM,RO,1%,1/10W,301 OHM	1.00			R12
203-11992	RESSM,RO,1%,1/10W,174 OHM	4.00			R64,66,91,93
203-12481	RESSM,RO,1%,1/10W,1.5K OHM	2.00			R68,95
203-12837	RESSM,RO,1%,1/10W,13.0K OHM	8.00			R69,71,72,74,96 R98,99,101
203-14581	RESSM,THIN,1%,1/10W,715 OHM	4.00			R24,25,36,37
203-14582	RESSM,THIN,1%,1/10W,2.15K OHM	4.00			R27,28,39,40
205-14586	RESSM,NET,5%,ISOL,10KX4	7.00			RP2,3,6,10-13
205-14587	RESSM,NET,5%,ISOL,110X4	6.00			RP1,4,5,7-9
240-00611	CAP,ELEC,22uF,16V,RAD	3.00			C80,82,85
240-01262	CAP,ELEC,330uF,25V,20%,RAD	1.00			C58
240-09367	CAPSM,ELEC,10uF,25V,NONPOL,20%	4.00			C98,103,129,134
240-09786	CAP,ELEC,100uF,25V,RAD,LOW ESR	3.00			C16,17,55
240-11827	CAPSM,ELEC,10uF,16V,20%	10.00			C37,38,42,78,92,104 C109,110,115,124
240-12848	CAP,ELEC,3300uF,16V,20%,RAD	1.00			C48
240-13216	CAPSM,ELEC,22uF,16V,20%	1.00			C12
240-13217	CAPSM,ELEC,47uF,16V,20%	4.00			C94,95,125,126
244-10423	CAP,MYL,.22uF,50V,RAD,5%,BOX	5.00			C19,21,54,57,60
245-09876	CAPSM,CER,.01uF,50V,Z5U,20%	2.00			C9,14
245-10416	CAPSM,CER,1000pF,50V,COG,5%	1.00			C2
245-10561	CAPSM,CER,100pF,50V,COG,5%	3.00			C3-5
245-10562	CAPSM,CER,150pF,50V,COG,10%	15.00			C6,7,18,20,23,25,32 C33,49-53,56,59
245-10587	CAPSM,CER,18pF,50V,COG,10%	2.00			C24,34
245-10976	CAPSM,CER,47pF,50V,COG,5%	6.00			C8,13,97,102,128,133
245-10977	CAPSM,CER,330pF,50V,COG,5%	4.00			C28,29,44,46
245-11593	CAPSM,CER,4700pF,50V,COG,5%	4.00			C30,31,45,47
245-11594	CAPSM,CER,2200pF,50V,COG,5%	2.00			C106,112
245-11625	CAPSM,CER,33pF,50V,COG,5%	8.00			C87,88,90,91,96 C101,127,132
245-12485	CAPSM,CER,.1uF,25V,Z5U,20%	25.00			C10,22,26,27,35,36 C39-41,43,81,83,84 C93,99,100,105,107 C108,111,113,114 C123,130,131
245-14588	CAPSM,CER,.01uF,25V,X7R,10%,06	30.00			C1,11,15,61-77,79 C86,89,116-122
270-06671	FERRITE CHOKE,2.5 TURN	3.00			FB3-5

270-11545	FERRITESM,CHIP,600 OHM,0805	12.00	FBI,2,6-15
300-10509	DIODESM,1N914,SOT23	26.00	D1,2,6-29
300-10563	DIODESM,DUAL,SERIES,GP,SOT23	3.00	D3-5
310-10510	TRANSISTORSM,2N3904,SOT23	1.00	Q1
330-10523	IC,HEX INVERTER,74HCU04,SOP	2.00	U3,20
330-10528	ICSM,DIGITAL,74HC153,SOIC	1.00	U19
330-10535	ICSM,DIGITAL,74AC273,SOIC	1.00	U22
330-10536	ICSM,DIGITAL,74HC273,SOIC	1.00	U25
330-10537	ICSM,DIGITAL,74HC541,SOIC	2.00	U11,26
330-11990	ICSM,LEXICHIP3B,100PIN,PQFP	1.00	U15
330-12451	ICSM,DIGITAL,74VHCT32,SOIC	1.00	U7
330-12452	ICSM,DIGITAL,74VHCT244,SOIC	1.00	U16
330-14642	ICSM,DIGITAL,74VHCT14,SOIC	1.00	U2
340-11573	ICSM,LIN,NJM4580,DUALOPAMP,SOP	4.00	U4,5,10,27
340-14643	ICSM,LIN,3.3V REG,LOPWR,SOT23	1.00	U18
345-14649	ICSM,RCVR,AK4112,24B,96k,VSOP	1.00	U17
350-12637	ICSM,DRAM,1MX16,70NS,SOJ	1.00	U8
350-13863	ICSM,SRAM,32KX8,70NS,SOIC,20uA	1.00	U12
350-14158	ICSM,EEPROM,24C32,32K,SER,SOIC	1.00	U9
350-14176	ICSM,GAL,16V8,MPX500,V1.00	1.00	U23
350-14930	ICSM,ROM,27C020,MPX550,V1.02	1.00	U13
355-13287	ICSM,DAC,AK4393,24BIT,STR,VSOP	1.00	U6
355-13829	ICSM,ADC,AKM5383,24b,96kHz,SOP	1.00	U21
355-14599	ICSM,DIGI-POT,10K,16TAPS,SPI	1.00	U24
365-09883	ICSM,uPROC,Z80,CMOS,10MHZ,QFP	1.00	U14
375-02247	IC,OPTO-ISOLATOR,6N138	1.00	U1
390-12361	CRYSTALSM,11.2896MHZ,PAR,HC49	1.00	Y2
390-12362	CRYSTALSM,12.288MHZ,PAR,HC49	1.00	Y1
452-14617	SW,RTY,ENC,16POS,4BIT,GRY,20MM	4.00	SW1-4
510-07888	CONN,AC,3MC,PCRA,IEC,10A	1.00	J1
510-09790	CONN,DIN,5FC@180DEG,PCRA,SHLD	2.00	J2,3
510-10881	CONN,XLR,3MC,PCRA,SMALL	2.00	J6,9
510-11087	1/4"PH JACK,PCRA,3C,SW-TR,G,FT	5.00	J4,7,8,11,12
510-13149	CONN,RCA,PCRA,1FCGX2V,WH/RED,G	1.00	J5
510-14156	CONN,FFC,1.25MM,22POS,PCRA	1.00	J19
510-14159	CONN,XLR,3FC,PCRA,NO LATCH,SM	2.00	J10,13
620-12428	LUG,#4,INT STAR,XLR GND	2.00	J6,9
635-05689	FASTNR,SWAGE,PCB,4-40X.065,SS	4.00	PS TO MAIN BD
640-01706	SCRW,4-40X3/8,PNH,PH,ZN	2.00	AC CONN (J1)
640-04339	SCRW,4-40X1/4,PNH,PH,SEMS,ZN	4.00	PS TO MAIN BD
643-01732	NUT,4-40,KEP,ZN	2.00	AC CONN (J1)
650-03970	POPRVT,1/8X1/8,REG PROT HD,SS	1.00	BRKT TO MAIN BD
675-08256	WIRE,22G,BLU,2.5",.187QDC/ST	1.00	J17
675-08257	WIRE,22G,BRN,2.5",.187QDC/ST	1.00	J16
675-14137	WIRE,18G,GRN/YEL,7",#6RING/SS	1.00	AC CONN (J1) TO FP
680-14173	CABLE,.156,HSG/ST&T,4C,3"	1.00	J15
680-14174	CABLE,.100,HSG/ST&T,2C,3"	1.00	J14
701-14147	BRACKET,KEYSTONE,633,.140DX2	1.00	MAIN BD MTG
704-14132	HEATSINK,TO220,.75X.5X.5"H	1.00	U15
710-14550	PC BD,MAIN,MPX550	1.00	REV 4 PC BOARD
740-11287	LABEL,S/N,PCB,PRINTED	1.00	
750-14151	PWR SUP,+5V/+15V/-15V,16.5W	1.00	

MPX550 SWITCH BOARD #1 ASSEMBLY

430-07326	LED,T1,GRN,LITEON	4.00	D1-4
452-14155	SW,RTY,ENC,24POS,12MM,PBM	1.00	SW5
453-12166	SW,PBM,1P1T,6MMSQ,250GF	4.00	SW1-4
630-14190	SPCR,LED,T1,2MMH	4.00	D1-4
680-14171	CABLE,RIB,24-26AWG,14CX.1,3"L	1.00	J1
710-14130	PC BD,SW#1,MPX500	1.00	REV 1 PC BOARD

MPX550 SWITCH BOARD #2 ASSEMBLY

430-07326	LED,T1,GRN,LITEON	2.00	D1,2
453-12166	SW,PBM,1P1T,6MMSQ,250GF	2.00	SW1,2
630-14190	SPCR,LED,T1,2MMH	2.00	D1,2
680-14170	CABLE,RIB,24-26AWG,6CX.1,3"L	1.00	J1
710-14140	PC BD,SW#2,MPX500	1.00	REV 0 PC BOARD

MPX550 MECHANICAL ASSEMBLY

430-14152	DISP, LCD, 150X32DOTS, 12:00, FFC	1.00		
454-11095	SW, ROCKER, 1P2T, 6A@250, VERTSLIM	1.00		
550-11929	KNOB, .69D, 6MM/FL, BLK, LINE	1.00		
550-11931	BUTTON, .24X.64, BLK, W/LT PIPE	6.00		
550-14169	KNOB, 1.05D, 6MM/FL, BLK	1.00		
550-14639	KNOB, .85/.37D, 6MM/FL, BLK	4.00		
630-14114	SPCR, 4-40X7/16, 3/16HEX, NYL	2.00		DISPLAY
635-12831	SPCR, .14IDX.25ODX.375L, AL	4.00		SW BDS TO FP
640-02812	SCRW, 4-40X3/8, PNH, PH, BLK	1.00		AC CONN
640-02812	SCRW, 4-40X3/8, PNH, PH, BLK	2.00		COVER TO FP
640-14115	SCRW, 4-40X3/16, PNH, PH, NYL	2.00		DISPLAY
641-10989	SCRW, TAP, AB, 4X3/8, PNH, PH, BZ	4.00		CVR TO SIDE PAN
641-11466	SCRW, TAP, #4X3/8, PNH, PH, BZ, TRI	9.00	12/14/01	XLR & RCA CONN
641-12759	SCRW, TAP, AB, #2X1/4, PNH, PH, BZ	4.00		DIN CONN
641-14898	SCRW, TAP, #4X1/4, PNH, PH, BZ, TRI	9.00	12/14/01	XLR & RCA CONN
643-01732	NUT, 4-40, KEP, ZN	5.00		SW BDS TO FP (4);
				KEYSTONE TO FP (1)
				AC CONN
643-01732	NUT, 4-40, KEP, ZN	1.00		
700-14918	COVER, MPX550	1.00		
702-14177	COVER, PROTECTIVE, PS, 4.10X4.10	2.00		COVER, INSIDE
702-14640	PANEL, SIDE, 1.71X5.42, ABS	2.00		
702-14916	PANEL, FRONT, MPX550	1.00		
703-14167	LENS, 3.37X.87, CLR	1.00		
740-08558	LABEL, TUV CERTIFIED, BAYERN	1.00		TOP COVER
740-09538	LABEL, S/N, CHASSIS, PRINTED	1.00		REAR COVER
740-13573	LABEL, MFR ID, .9X.25, SILVER	1.00		REAR COVER

MPX550 SHIP/PACKAGING MATERIAL

070-14912	GUIDE, USER, MPX550	1.00		
080-14914	ASSY DWG, SHIPMENT, MPX550	0.00		
730-14181	INSERT, FOAM, ENDCAP, 1UX5.5	2.00		
730-14921	BOX, DSPLY, 22X8X4, MPX550	1.00		
750-14924	CD, LIT, MULTI-LANG, MPX550	1.00		

MPX550 POWER CORD OPTIONS

680-09149	CORD, POWER, IEC, 10A, 2M, NA, SVT	1.00		
680-08830	CORD, POWER, IEC, 6A, 2M, EURO	1.00		
680-10093	CORD, POWER, IEC, 5A, 2M, UK	1.00		
680-10094	CORD, POWER, IEC, 6A, 2M, ITALY	1.00		
680-10095	CORD, POWER, IEC, 6A, 2M, SWISS	1.00		
680-10096	CORD, POWER, IEC, 6A, 2M, AUSTRALIA	1.00		
680-10097	CORD, POWER, IEC, 6A, 2M, JAPAN	1.00		