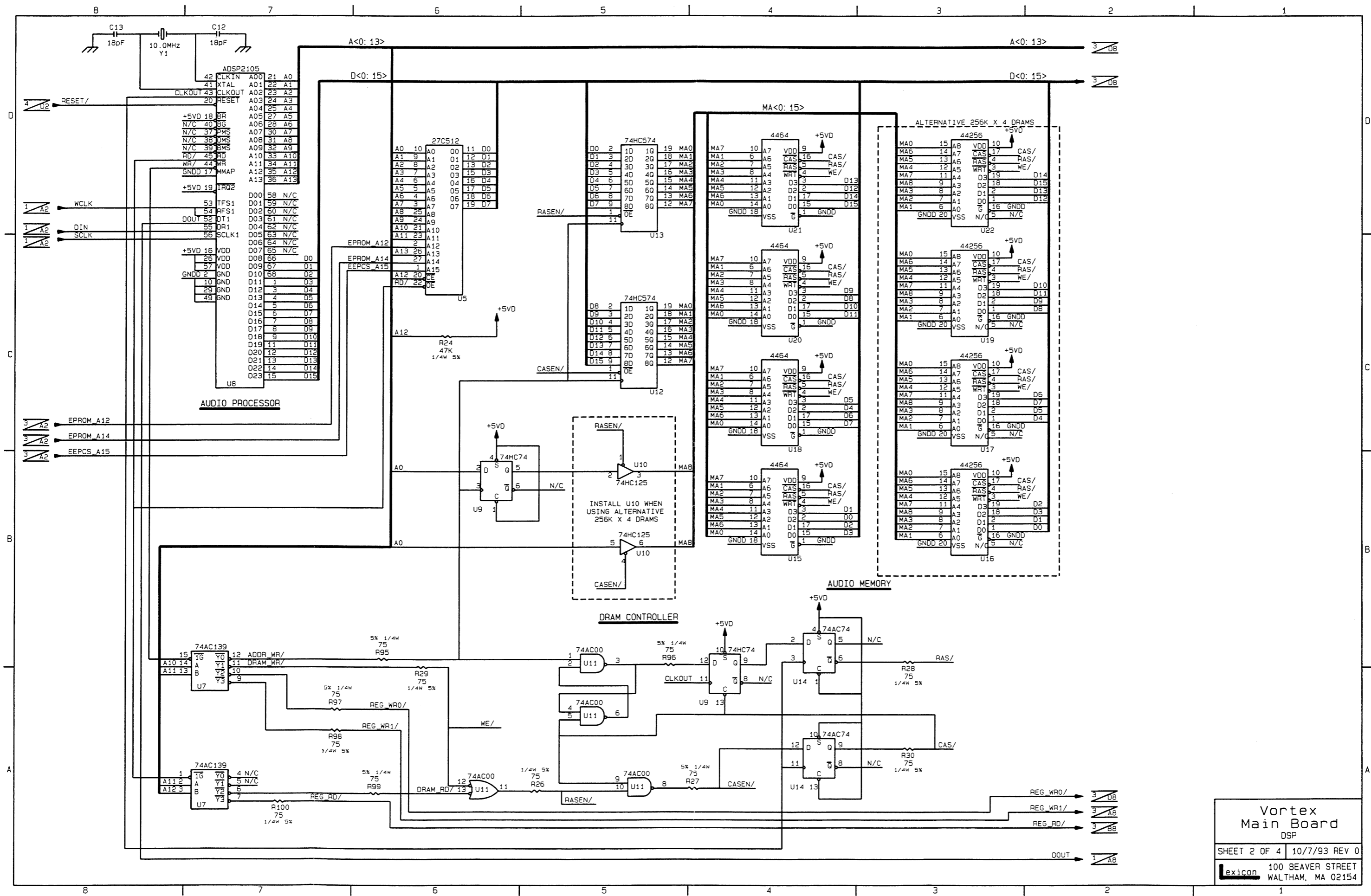
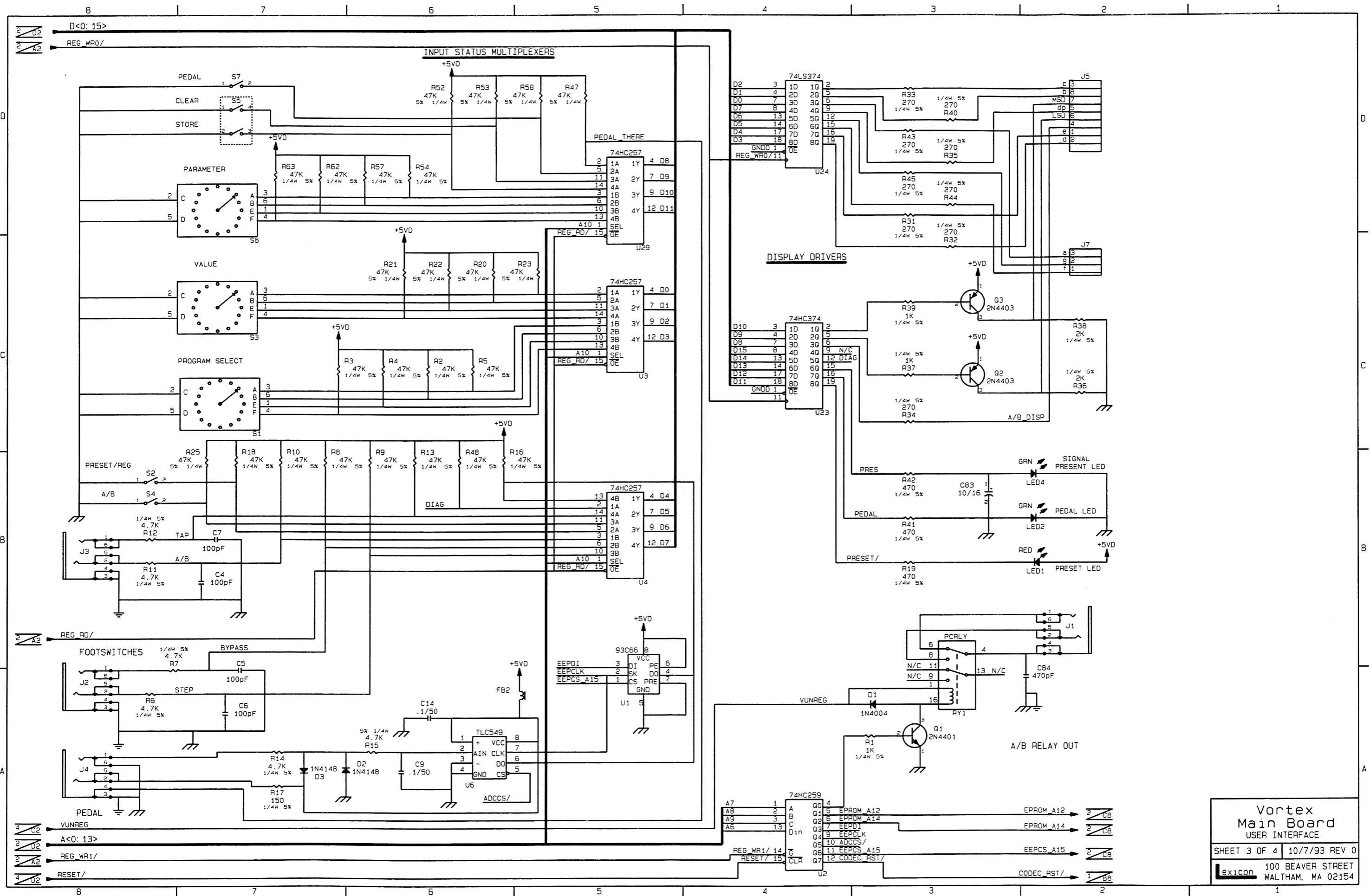


Vortex
Main Board
CODEC & I/Os

SHEET 1 OF 4 | 10/7/93 REV 0

lexicon 100 BEAVER STREET
WALTHAM, MA 02154

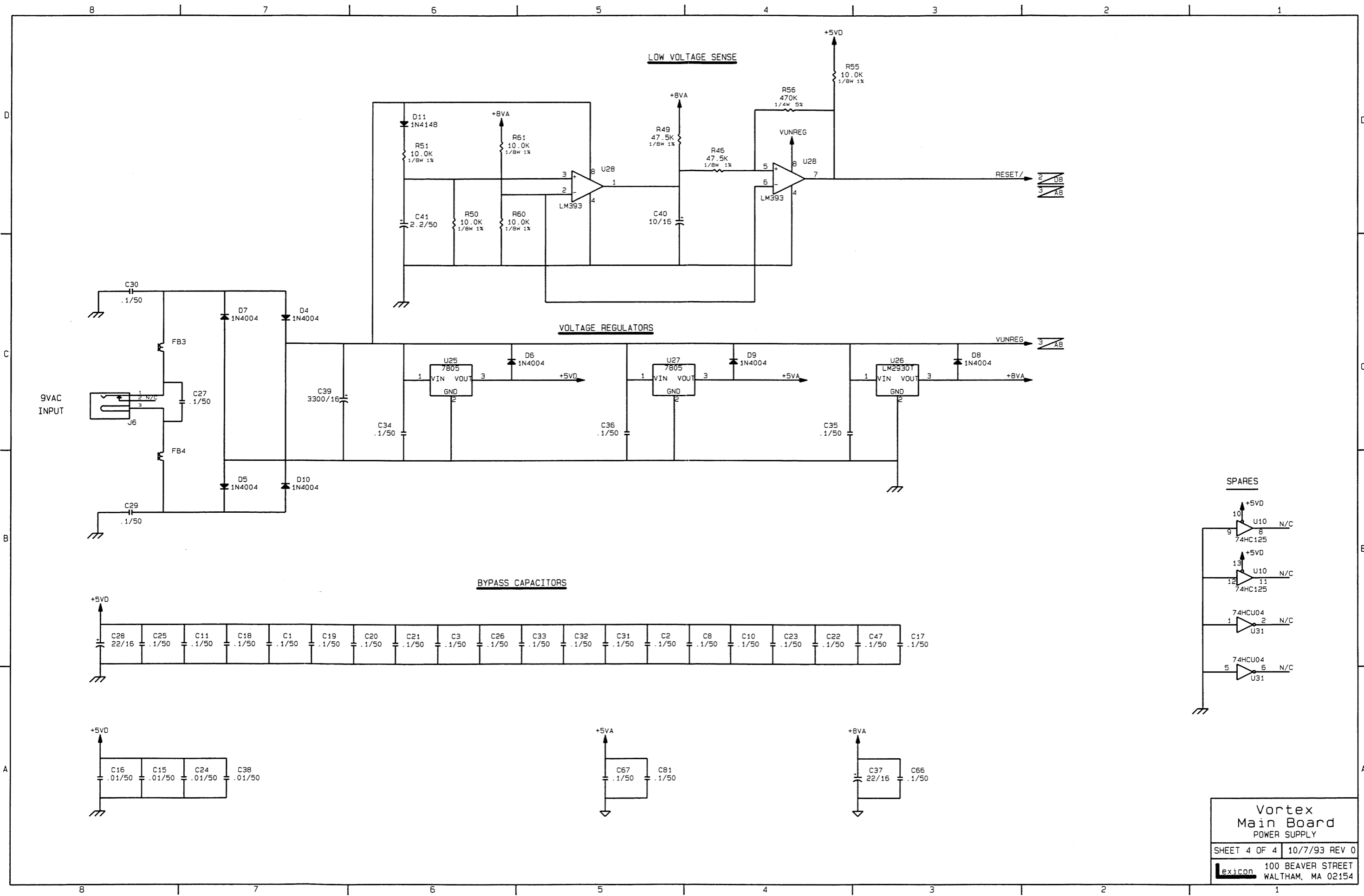




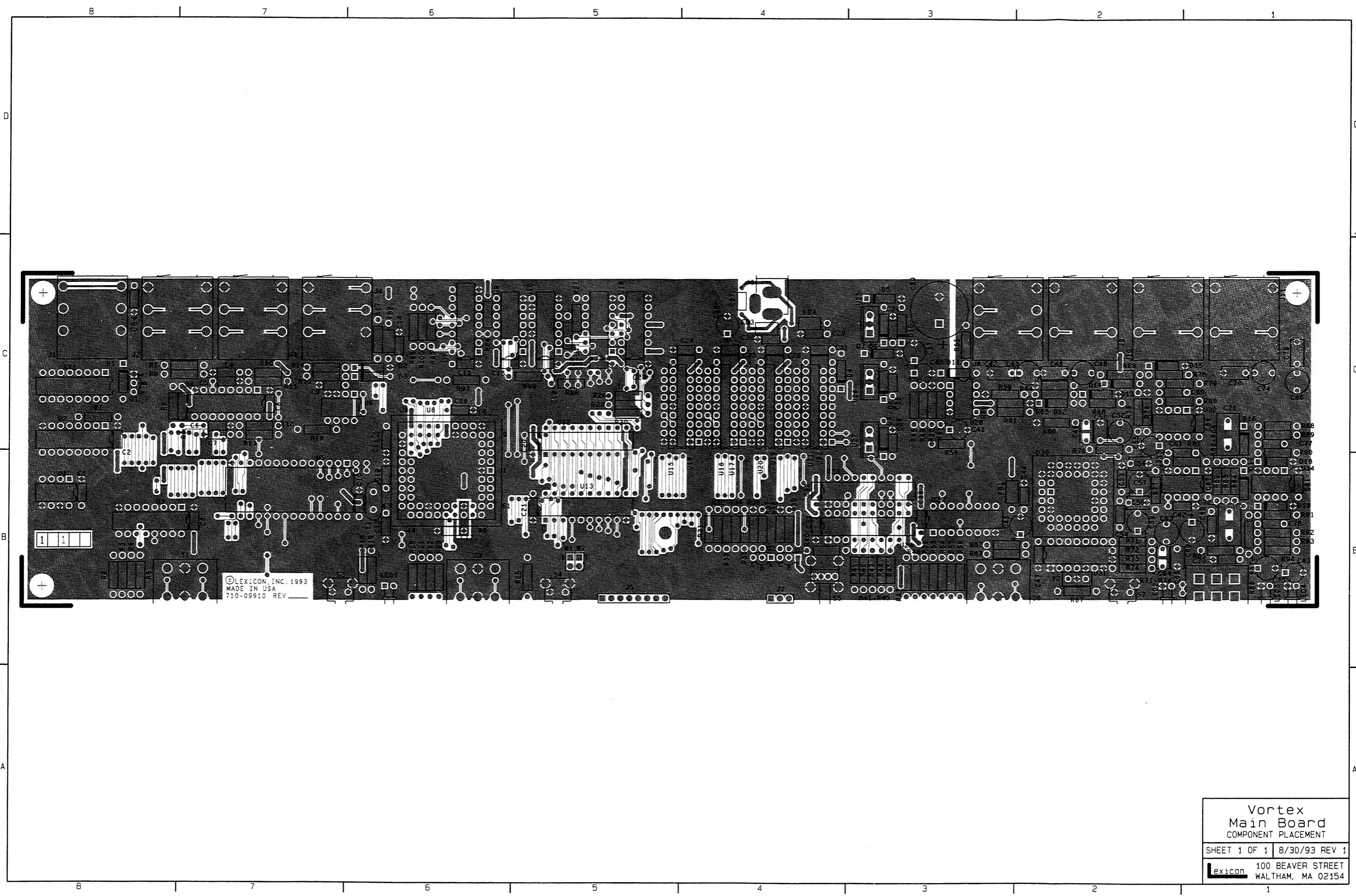
Vortex
Main Board
USER INTERFACE

SHEET 3 OF 4 | 10/7/93 REV 0

Lexicon 100 BEAVER STREET
WALTHAM, MA 02154

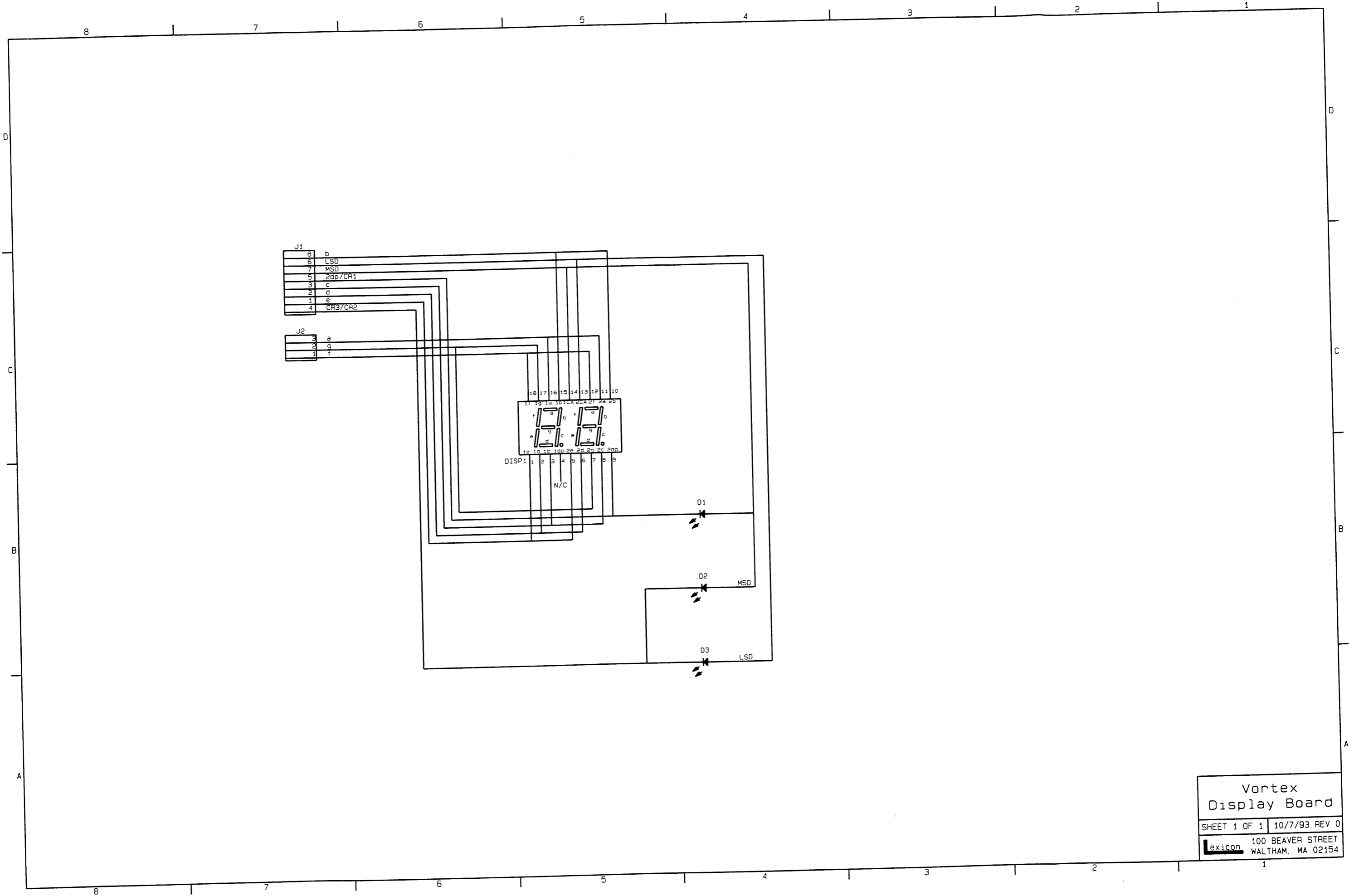


Vortex
Main Board
POWER SUPPLY
SHEET 4 OF 4 10/7/93 REV 0
Lexicon 100 BEAVER STREET
WALTHAM, MA 02154



Vortex
Main Board
COMPONENT PLACEMENT

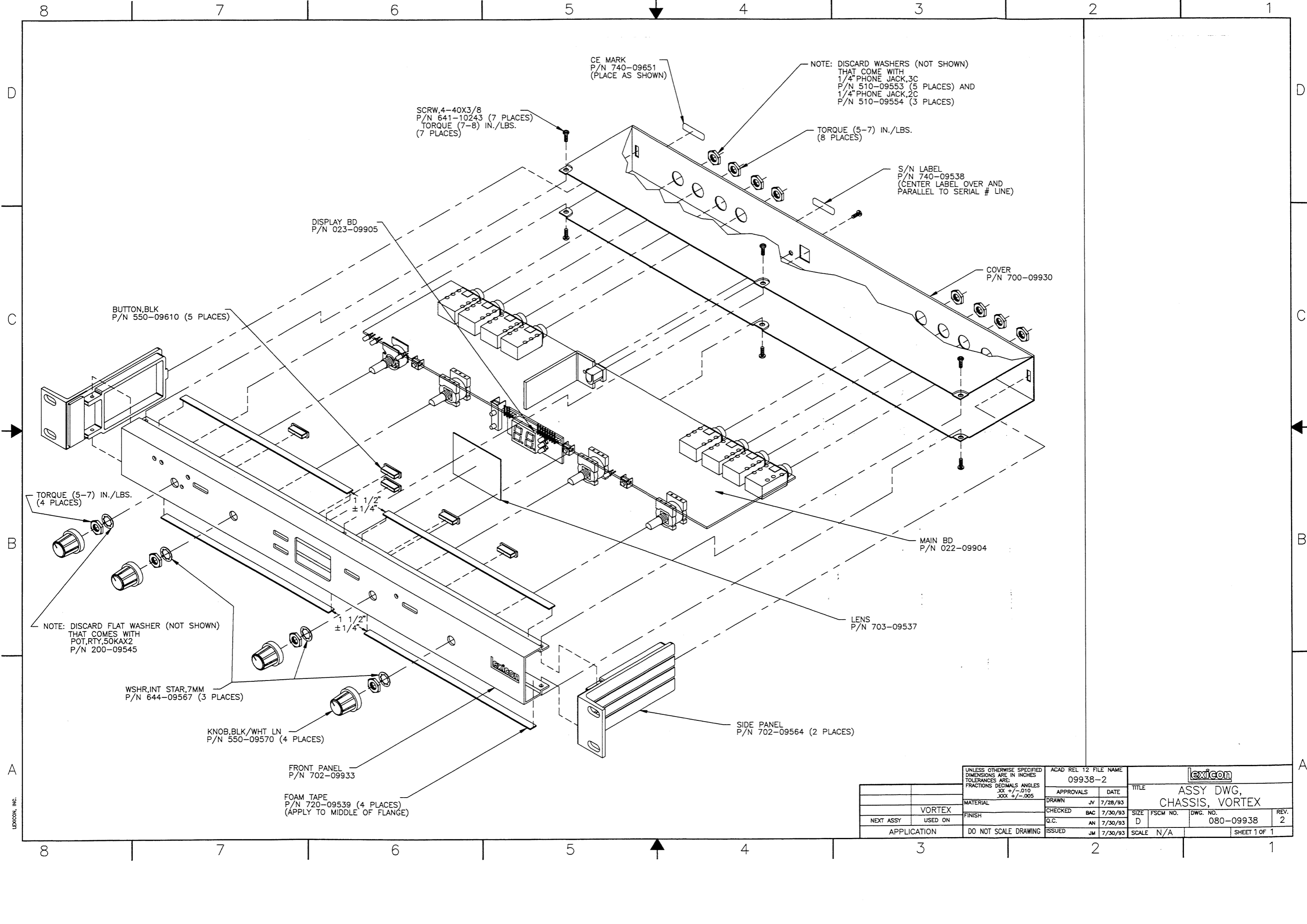
SHEET 1 OF 1	8/30/93 REV 1
lexicon 100 BEAVER STREET WALTHAM, MA 02154	



Vortex
Display Board

SHEET 1 OF 1 | 10/7/93 REV 0

lexicon 100 BEAVER STREET
WALTHAM, MA 02154



LEXICON, INC.

UNLESS OTHERWISE SPECIFIED DIMENSIONS ARE IN INCHES TOLERANCES ARE: FRACTIONS DECIMALS ANGLES XX +/- .010 XXX +/- .005		ACAD REL 12 FILE NAME 09938-2		
APPROVALS		DATE	TITLE ASSY DWG, CHASSIS, VORTEX	
DRAWN		JV	7/28/93	SIZE
CHECKED		BAC	7/30/93	FSCM NO.
G.C.		AN	7/30/93	DWG. NO. 080-09938
ISSUED		JM	7/30/93	SCALE N/A
APPLICATION	DO NOT SCALE DRAWING	SHEET 1 OF 1		REV. 2