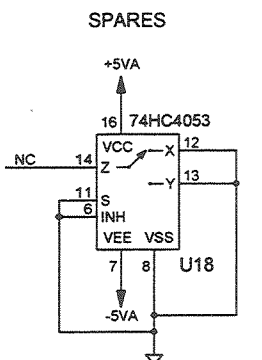
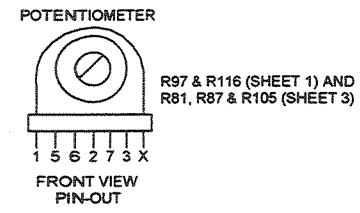


REVISIONS			
REV	DESCRIPTION	DRAFTER CHECKER	Q.C. AUTH.
1	REVISED SHEET 3, ADD U18 SPARE, UPDATE NOTE 6 PER ECO 971222-00	RWH KE 12/22/97 12/23/97	CW CW 12/22/97 12/29/97
2	REVISED SHEETS 2 & 5 PER ECO 980109-00	RWH JER 1/12/98 1/12/98	CW KE 1/12/98 1/12/98
3	REVISED SHEETS 3 & 5 PER ECO 980220-00 REVISED SHEETS 1, 2, 4 & 5 PER DCR 980227-00	RWH JER 2/27/98 3/4/98	CW KE 3/5/98 3/4/98
4	REVISED SHEETS 2 & 4 PER DCR 980319-00	RWH JW 3/19/98 3/19/98	CW JW 3/19/98 3/19/98



- NOTES**
- UNLESS OTHERWISE INDICATED, RESISTORS ARE 1/10W
 - UNLESS OTHERWISE INDICATED, RESISTORS ARE 5%
 - UNLESS OTHERWISE INDICATED, CAPACITORS ARE UF/V
 - DIGITAL GROUND ANALOG GROUND CHASSIS GROUND POWER GROUND
 - [XX/XX] DENOTES [SHEET NUMBER/SECTOR]
 - LAST REFERENCE DESIGNATORS USED:
C102, D27, FB2, J9, Q7, R135, SW5, TP2, U23, Y1 (REFDES R1 NOT USED)

DOCUMENT CONTROL BLOCK: #060-11918	
SHEET NUMBER	REVISION NUMBER
1 OF 5	4
2 OF 5	3
3 OF 5	2
4 OF 5	2
5 OF 5	2

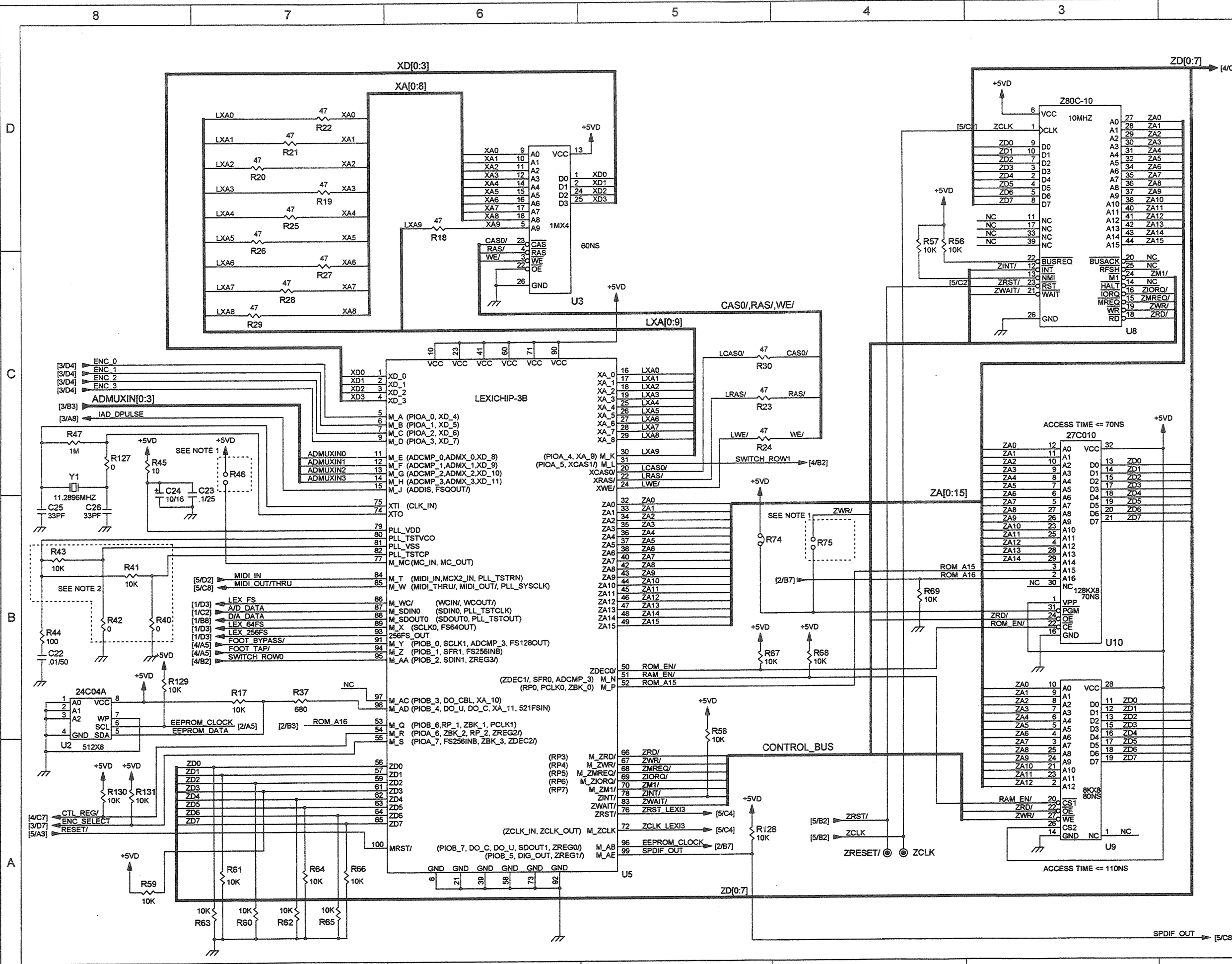


CONTRACT NO. **lexicon** 3 OAK PARK BEDFORD, MA 01730

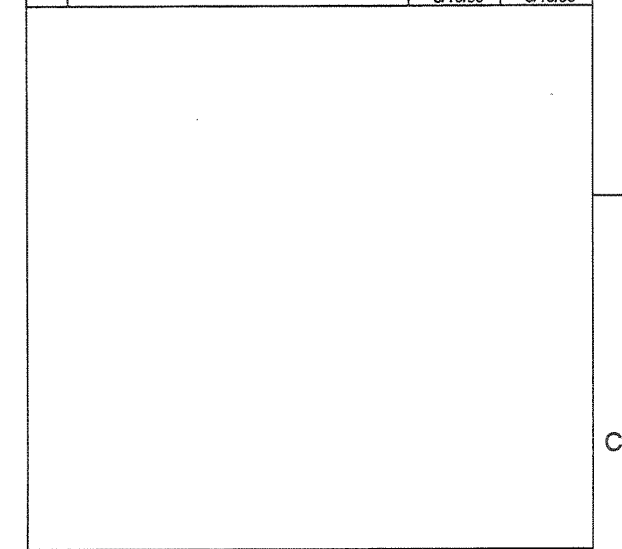
APPROVALS	DATE	TITLE
DRAWN RWH	10/27/97	SCHEM, MAIN BD, MPX100
CHECKED SLM	11/20/97	ADC, DAC
Q.C. CW	11/20/97	SIZE B CODE NUMBER
ISSUED JRW	11/20/97	FILE NAME 060-11918 REV 4

11918-4.1 SHEET 1 OF 5

3-20-1898_9:31



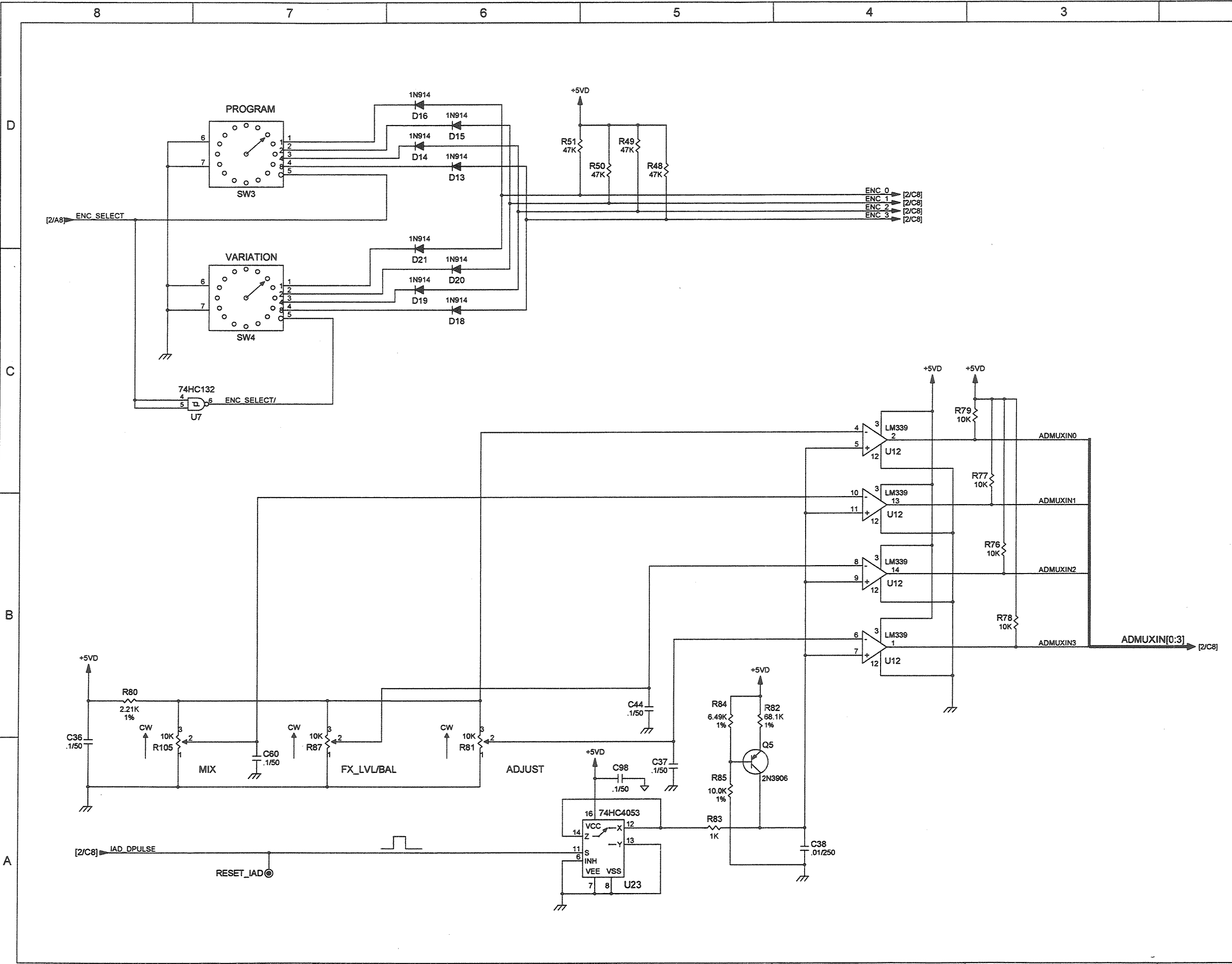
REVISIONS			
REV	DESCRIPTION	DRAFTER CHECKER	Q.C. AUTH.
1	REVISED C25 & C26 VALUES AND U9 & U10 SPEEDS PER ECO 980109-00	CW 1/12/98 JER 1/12/98	RWH 1/12/98 KE 1/12/98
2	ADDED R127-131 PER DCR 980227-00	RWH 2/27/98 JER 3/4/98	CW 3/5/98 KE 3/4/98
4	MOVED SIGNAL "SWITCH_ROW1" FROM U5.97 TO U5.31 & DELETED TP1 PER DCR 980319-00	RWH 3/19/98 JW 3/19/98	CW 3/19/98 JW 3/19/98



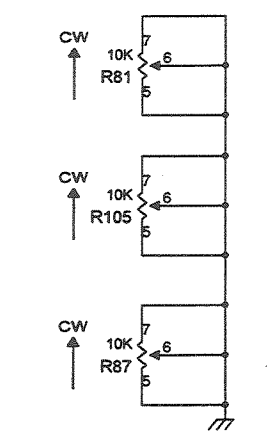
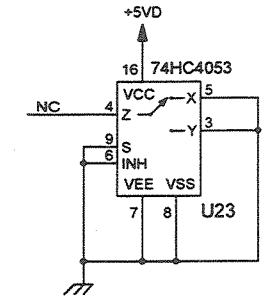
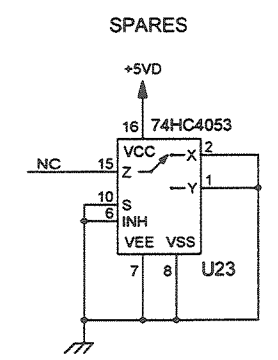
NOTES:
 1. NOT INSTALLED: R46, R75
 2. INSTALLED FOR LEXICHIP3 A ONLY: R40, R43
 INSTALLED FOR LEXICHIP3 B ONLY: R41, R42

CONTRACT NO.		lexicon		3 OAK PARK BEDFORD, MA 01730	
APPROVALS	DATE	TITLE			
DRAWN RWH	10/27/97	SCHEM.MAIN BD,MPX100			
CHECKED SLM	11/20/97	LEXICHIP3, ROM/RAM, uPROC			
Q.C. CW	11/20/97	SIZE B	CODE	NUMBER	REV 3
ISSUED JRW	11/20/97	FILE NAME	11918-4.2		SHEET 2 OF 5

9-20-1998 9:33

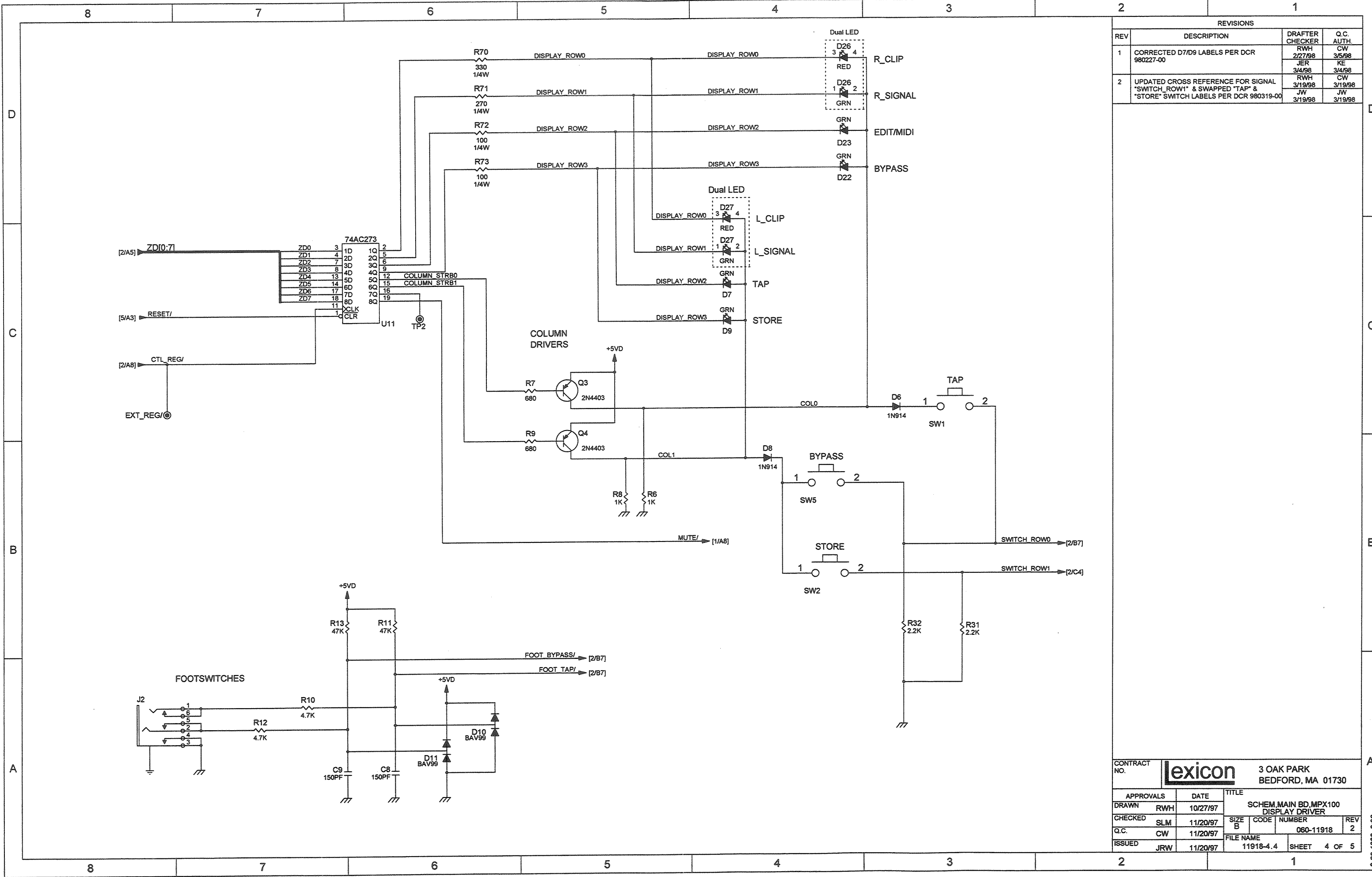


REVISIONS			
REV	DESCRIPTION	DRAFTER CHECKER	Q.C. AUTH.
1	ADDED U23 PER ECO 971222-00	RWH 12/22/97 KE 12/23/97	CW 12/22/97 CW 12/29/97
2	CHANGED U7 FROM VHC TO HC PER ECO 980220-00	RWH 2/27/98 JER 3/4/98	CW 3/5/98 KE 3/4/98



CONTRACT NO.		lexicon		3 OAK PARK BEDFORD, MA 01730	
APPROVALS	DATE	TITLE			
DRAWN RWH	10/27/97	SCHEM.MAIN BD.MPX100			
CHECKED SLM	11/20/97	SIZE B	CODE	NUMBER	REV
Q.C. CW	11/20/97			060-11918	2
ISSUED JRW	11/20/97	FILE NAME		SHEET	
		11918-4.3		3 OF 5	

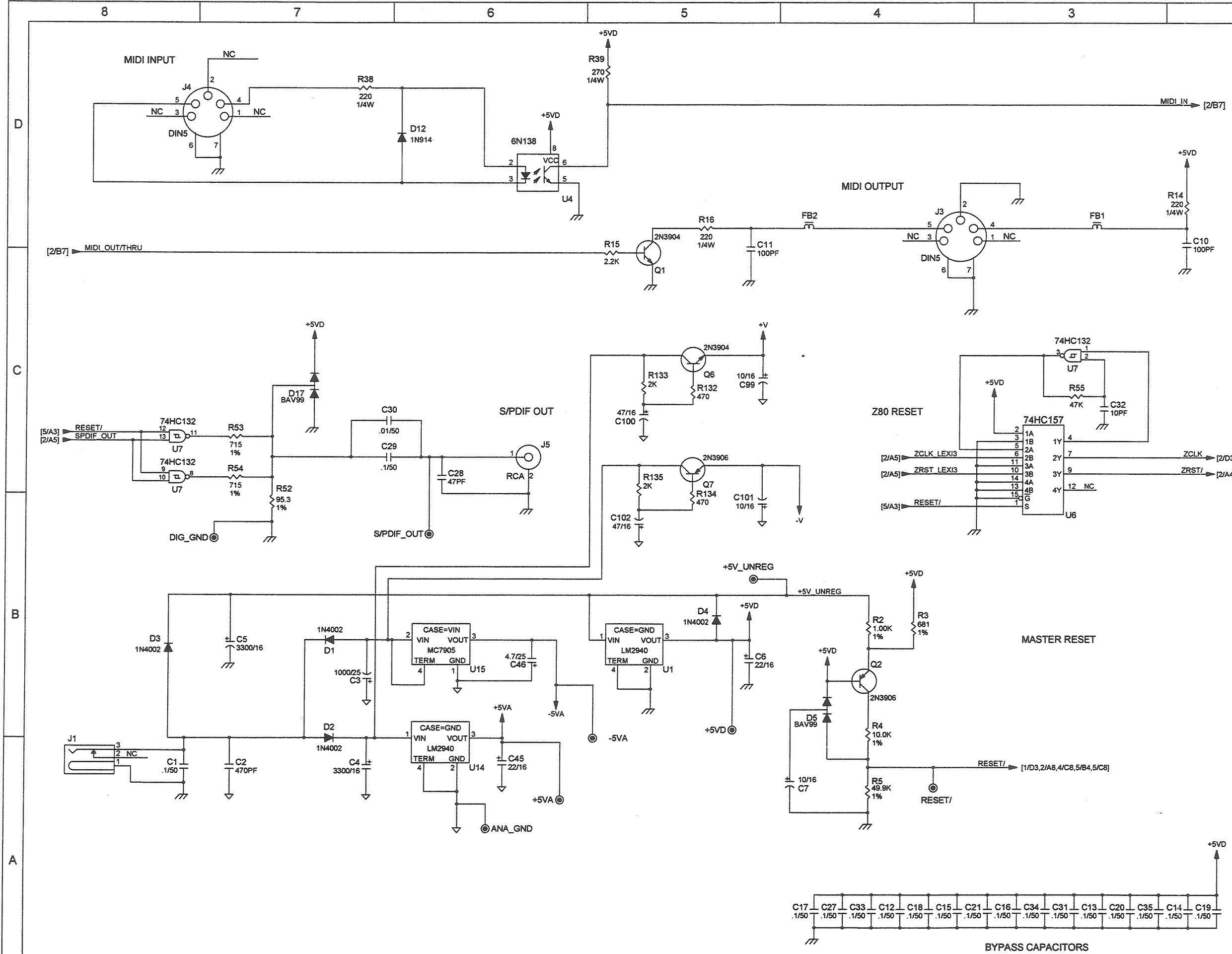
3-18-1998 10:39



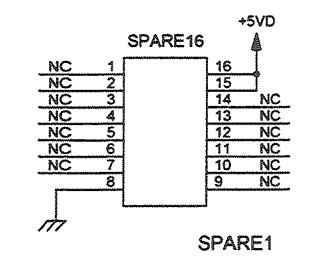
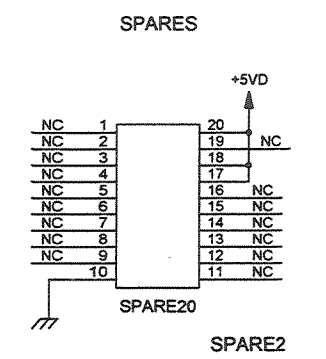
REVISIONS			
REV	DESCRIPTION	DRAFTER	Q.C. AUTH.
1	CORRECTED D7/D9 LABELS PER DCR 980227-00	RWH 2/27/98	CW 3/5/98
2	UPDATED CROSS REFERENCE FOR SIGNAL "SWITCH_ROW1" & SWAPPED "TAP" & "STORE" SWITCH LABELS PER DCR 980319-00	JER 3/4/98	KE 3/4/98
		RWH 3/19/98	CW 3/19/98
		JW 3/19/98	JW 3/19/98

CONTRACT NO.		lexicon		3 OAK PARK BEDFORD, MA 01730	
APPROVALS	DATE	TITLE			
DRAWN RWH	10/27/97	SCHEM MAIN BD.MPX100 DISPLAY DRIVER			
CHECKED SLM	11/20/97	SIZE B	CODE	NUMBER	REV 2
Q.C. CW	11/20/97	FILE NAME		060-11918	
ISSUED JRW	11/20/97	11918-4.4		SHEET	4 OF 5

3-20-1988 8:32

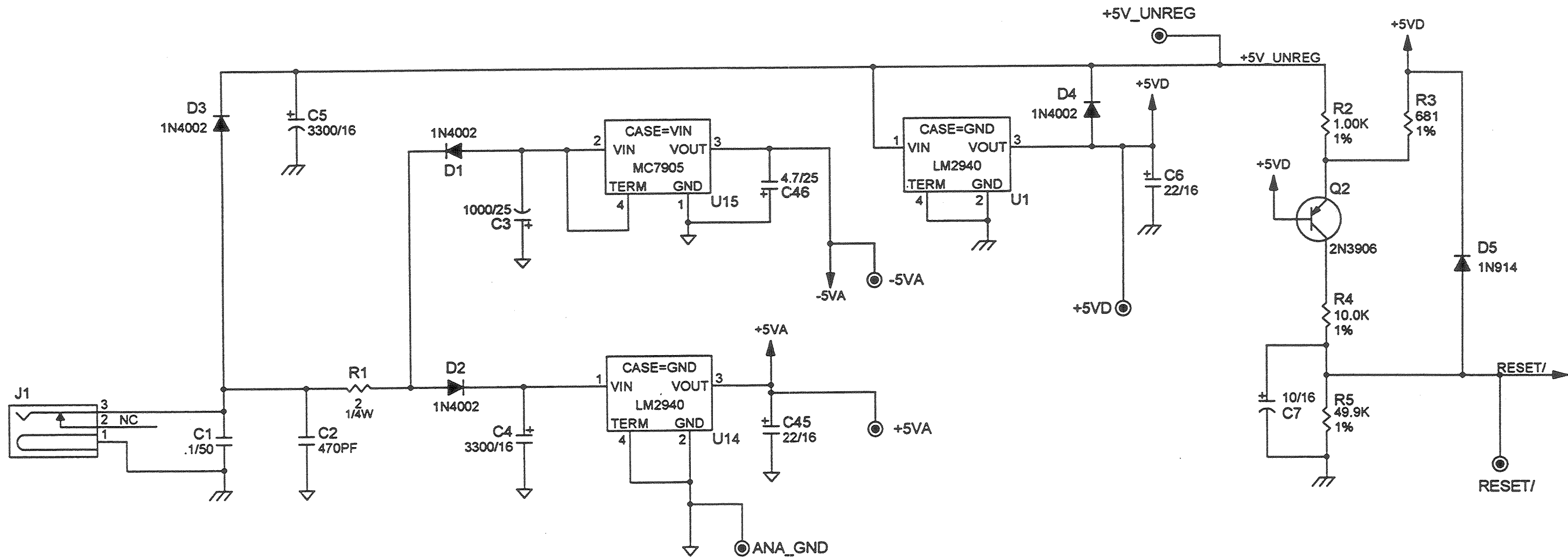


REVISIONS			
REV	DESCRIPTION	DRAFTER CHECKER	Q.C. AUTH.
1	REVISED R1, C4, C6, C45, U1, U14 VALUES PER 980109-00	CW 1/12/98	RWH 1/12/98
2	CHGD U6 & U7 FROM VHIC TO HC PER ECO 980220-00 CHGD RESET CKT PER DCR 980227-00	RWH 2/27/98 JER 3/4/98	CW 3/5/98 KE 3/4/98



CONTRACT NO.		lexicon		3 OAK PARK BEDFORD, MA 01730	
APPROVALS	DATE	TITLE			
DRAWN	RWH 10/27/97	SCHEM_MAIN BD,MPX100			
CHECKED	SLM 11/20/97	SIZE	CODE	NUMBER	REV
Q.C.	CW 11/20/97	B		060-11918	2
ISSUED	JRW 11/20/97	FILE NAME		SHEET	
		11918-4.5		5 OF 5	

3-18-1998 10:39



MASTER RESET CIRCUIT
MPX 100 MAIN BOARD, REV 5

EXICON

MPX100 MAIN BOARD
COMPONENT LAYOUT

