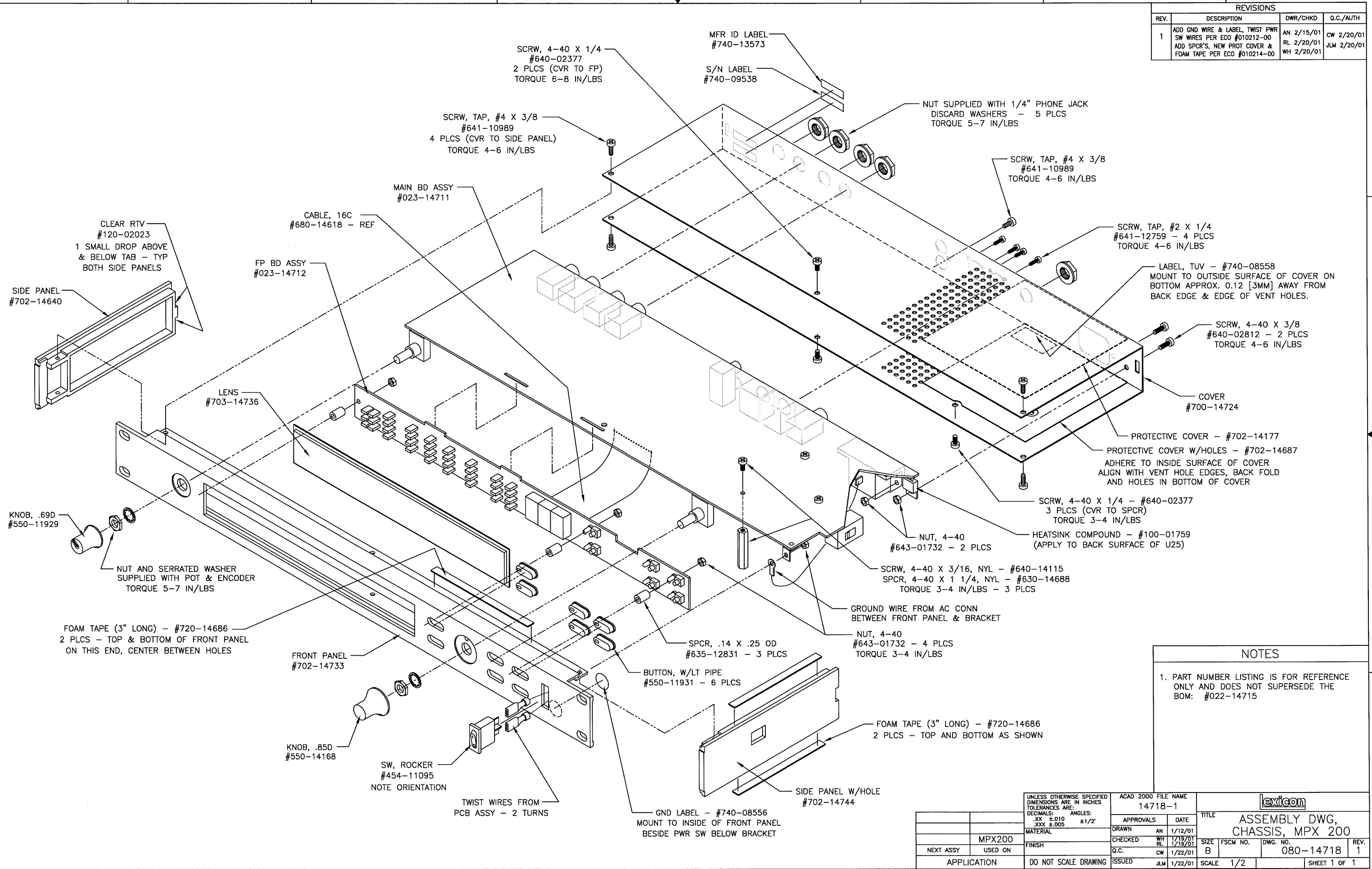


8 7 6 5 4 3 2 1

REVISIONS			
REV.	DESCRIPTION	DWR/CHKD	Q.C./AUTH
1	ADD GND WIRE & LABEL, TWIST PWR SW WIRES PER ECO #010212-00 ADD SPCR'S, NEW PROT COVER & FOAM TAPE PER ECO #010214-00	AN 2/15/01 RL 2/20/01 WH 2/20/01	CW 2/20/01 JLM 2/20/01

D
C
B
A



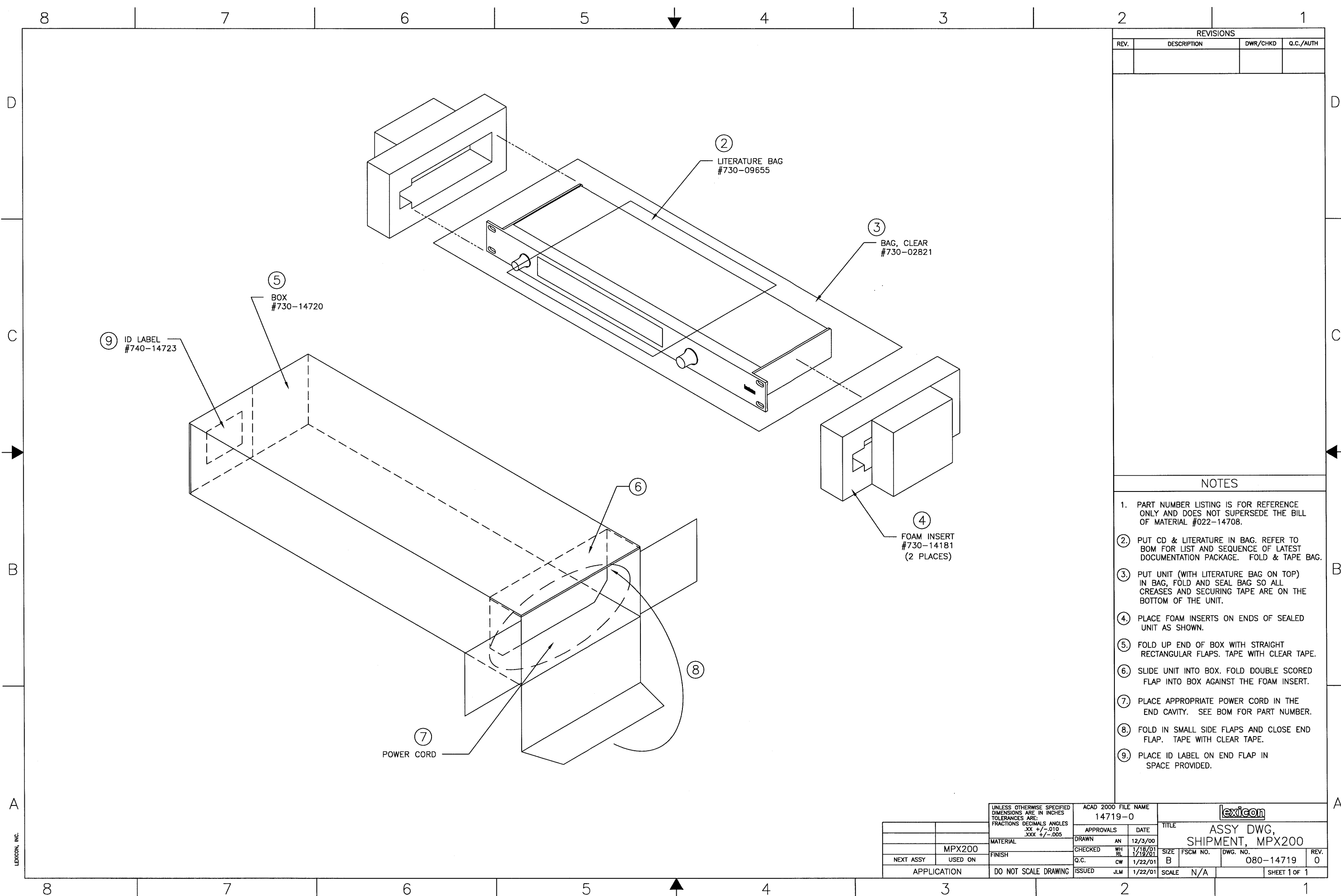
NOTES

1. PART NUMBER LISTING IS FOR REFERENCE ONLY AND DOES NOT SUPERSEDE THE BOM: #022-14715

UNLESS OTHERWISE SPECIFIED DIMENSIONS ARE IN INCHES TOLERANCES ARE: DECIMALS: .XX ±.010 .XXX ±.005		ACAD 2000 FILE NAME 14718-1		lexicon	
MATERIAL MPX200		APPROVALS		TITLE ASSEMBLY DWG, CHASSIS, MPX 200	
FINISH		DRAWN AN 1/12/01	DATE	SIZE B	FSCM NO.
NEXT ASSY USED ON		CHECKED WH 1/19/01	DATE 1/19/01	DWG. NO. 080-14718	REV. 1
APPLICATION DO NOT SCALE DRAWING		Q.C. CW 1/22/01	ISSUED JLM 1/22/01	SCALE 1/2	SHEET 1 OF 1

8 7 6 5 4 3 2 1

LEXICON, INC.



REVISIONS			
REV.	DESCRIPTION	DWR/CHKD	Q.C./AUTH

- NOTES
- PART NUMBER LISTING IS FOR REFERENCE ONLY AND DOES NOT SUPERSEDE THE BILL OF MATERIAL #022-14708.
 - PUT CD & LITERATURE IN BAG. REFER TO BOM FOR LIST AND SEQUENCE OF LATEST DOCUMENTATION PACKAGE. FOLD & TAPE BAG.
 - PUT UNIT (WITH LITERATURE BAG ON TOP) IN BAG, FOLD AND SEAL BAG SO ALL CREASES AND SECURING TAPE ARE ON THE BOTTOM OF THE UNIT.
 - PLACE FOAM INSERTS ON ENDS OF SEALED UNIT AS SHOWN.
 - FOLD UP END OF BOX WITH STRAIGHT RECTANGULAR FLAPS. TAPE WITH CLEAR TAPE.
 - SLIDE UNIT INTO BOX. FOLD DOUBLE SCORED FLAP INTO BOX AGAINST THE FOAM INSERT.
 - PLACE APPROPRIATE POWER CORD IN THE END CAVITY. SEE BOM FOR PART NUMBER.
 - FOLD IN SMALL SIDE FLAPS AND CLOSE END FLAP. TAPE WITH CLEAR TAPE.
 - PLACE ID LABEL ON END FLAP IN SPACE PROVIDED.

UNLESS OTHERWISE SPECIFIED DIMENSIONS ARE IN INCHES TOLERANCES ARE: FRACTIONS DECIMALS ANGLES .XX +/- .010 .XXX +/- .005		ACAD 2000 FILE NAME 14719-0		lexicon	
MATERIAL MPX200		APPROVALS DRAWN AN 12/3/00		TITLE ASSY DWG, SHIPMENT, MPX200	
NEXT ASSY USED ON		CHECKED WH 1/18/01		SIZE B	FSCM NO. 080-14719
APPLICATION DO NOT SCALE DRAWING		Q.C. CW 1/22/01		DWG. NO. 080-14719	REV. 0
		ISSUED JLM 1/22/01		SCALE N/A	SHEET 1 OF 1

LEXICON, INC.