

REVISIONS			
REV.	DESCRIPTION	DWR/CHKD	Q.C./AUTH
1	CHG MAIN BD & CHASSIS SIZE, REVISE ITEMS 1, 2, 26, 38 PER DCR #970717-00 CHG DISPLAY TO VFD (ITEM 17) PER ECO #970925-00 CHG CABLES TO FP BDS & VFD PER DCR #980121-00 CHG FROM 25 TO 40W PWR SUP PER DCR #980128-00	AN 1/28/98 MK 5/1/98	CW 5/1/98 BAC 5/1/98
2	CABLE QTY CHG - ITEMS 42 & 43 PER ECO #980609-00	AN 6/22/98 MK 6/25/98	CW 7/8/98 BAC 7/14/98
3	ADD LABEL - ITEM 50 PER ECO #990920-00	AN 9/23/99 NB 9/23/99	CW 9/24/99 MAG 9/24/99

ITEM#	PART#	DESCRIPTION	QTY	WHERE USED
1.	700-11556	CHASSIS, 1U X 12	1	
2.	700-12479	COVER, 1U X 12	1	
3.	700-11555	CHASSIS, INSERT, FP	1	
4.	701-11061	BRACKET, MTG, RACK, 1U	2	
5.	702-11550	PANEL, FRONT	1	
6.	702-11490	COVER, PROT, PS, 2.9 X 5.7	1	
7.	703-11553	LENS, 5.4 X 1.25	1	
8.				
9.				
10.	022-11511	PL, MAIN BD ASSY	1	
11.	023-11514	PL, FP POT BD ASSY	1	
12.	023-11515	PL, DISPLAY BD ASSY	1	
13.	023-11516	PL, FP INPUT BD ASSY	1	
14.	750-11565	ASSY, PCB/SW/CAP, 9SM/10LG	1	
15.	750-11396	PWR SUP, +5V/+15V, 40W	1	
16.				
17.	430-12512	DISP, VF, 16X2 CHAR, 5X7 DOT	1	
18.	454-11095	SW, ROCKER, 1P2T, 6A@250, VERTSLIM	1	PWR SW
19.				
20.	550-11063	KNOB, .84, 6MM/FL, BLK	1	ENCODER
21.	550-11560	KNOB, .43 X .65, 6MM/FL, BLK, LINE	3	FRONT LVL POTS
22.	550-11561	KNOB, .43 X .48, 6MM/FL, BLK, LINE	2	CONC POT, REAR LVL POT
23.	550-11562	KNOB, .61, 8MM, CONC, BLK, LINE	1	CONC POT
24.	630-11484	GASKET, KEYPAD, 3X3	1	SW ASSY
25.	640-10467	SCRW, M3X6MM, FH, PH, BZ	4	FP ASSY TO CHASSIS & INSERT
26.	640-10498	SCRW, M3X6MM, PNH, PH, BZ	16	MAIN BD TO CHASSIS (4) PWR SUP TO CHASSIS (4) COVER TO CHASSIS REAR (4) BRACKET TO COVER/CHASSIS/INSERT (4)
27.	641-11466	SCRW, TAP, #4 X 3/8, PNH, PH, BZ, TRI	4	XLR CONN TO CHASSIS
28.	641-11834	SCRW, TAP, AB, #2 X 1/4, PNH, PH, ZN	5	DIN CONN TO CHASSIS (3) DISPLAY TO INSERT (2)
29.				
30.	643-10492	NUT, M4X.7MM, KEP, ZN	1	CHASSIS GND
31.	644-01747	WSHR, INT STAR, #4	1	PWR SUP GND
32.	644-10494	WSHR, FL, M4 CL X 9 OD X .8MM THK	1	CHASSIS GND
33.				
34.	650-10427	RVT, SNAP-IN, .12DIA, NYL	5	SW ASSY TO INSERT (3) DISPLAY BD TO INSERT (2)
35.	680-11067	CABLE, .156, HSG/ST&T, 6C, 9.5"	1	PS TO MAIN BD (REF ONLY)
36.	680-11295	CABLE, .079, SCKT/SCKT, 16C, 2.5"	1	SW ASSY TO MAIN BD
37.	680-11587	CABLE, .079, SCKT/SCKTRA, 12C, 2.5"	1	DISPLAY BD TO MAIN BD (REF ONLY)
38.	680-12480	CABLE, AC PWR, 2C, SHLD, 12.75"	1	PS TO AC CONN & PWR SW
39.	680-12516	CABLE, RIB, 24G, 14C X .1, 3.25"L	1	DISPLAY TO MAIN BD
40.	680-12870	CABLE, .079, SCKT/SCKT, 12C, 2.5"	1	POT BD TO MAIN BD
41.	680-12871	CABLE, .079, SCKT/SCKT, 4C, 3"	1	FP INPUT BD TO POT BD
42.	680-12872	CABLE, COAX, .100, SCKT X 2, 2C, 2.5"	1	FP POT BD TO MAIN BD
43.	680-12873	CABLE, COAX, .100, SCKT X 2, 2C, 10"	3	FP INPUT BD TO MAIN BD (2), FP POT BD TO MAIN BD (1)
44.				
45.				
46.	740-08556	LABEL, GROUND SYMBOL, 0.5" DIA	1	CHASSIS GND
47.	740-08558	LABEL, TUV CERTIFIED, BAYERN	1	TOP COVER
48.	740-09538	LABEL, S/N, CHASSIS	1	CHASSIS REAR
49.	740-11482	LABEL, WARN/APP, FCC/C-UL/CE, PRO	1	TOP COVER
50.	740-13573	LABEL, MFR ID, .9X.25, SILVER	1	CHASSIS REAR

NOTES

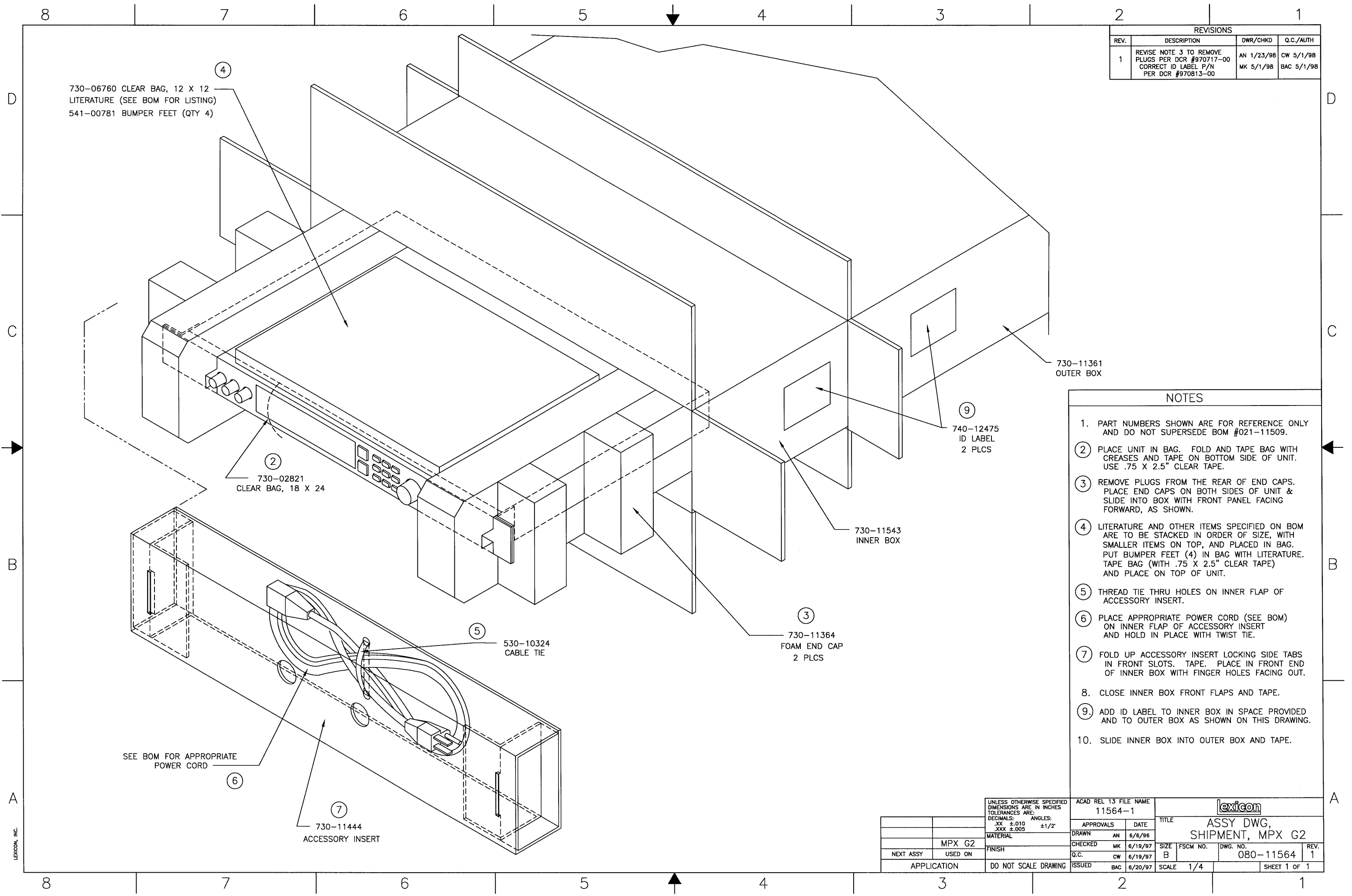
1. PART NUMBER LISTING IS FOR REFERENCE ONLY AND DOES NOT SUPERSEDE THE BILL OF MATERIAL: #021-11510 (CHASSIS ASSY)

UNLESS OTHERWISE SPECIFIED DIMENSIONS ARE IN INCHES TOLERANCES ARE: FRACTIONS DECIMALS ANGLES .xx +/- .010 .xxx +/- .005		ACAD REL 13 FILE NAME 11563-32		lexicon	
MATERIAL MPX G2		APPROVALS	DATE	TITLE ASSY DWG, CHASSIS, MPX G2	
FINISH		DRAWN AN	5/1/96	CHECKED MK	6/19/97
NEXT ASSY USED ON		Q.C. CW	6/19/97	SIZE B	FSCM NO.
APPLICATION DO NOT SCALE DRAWING		ISSUED BAC	6/20/97	DWG. NO. 080-11563	REV. 3
		SCALE NONE		SHEET 2 OF 2	

D
C
B
A

D
C
B
A

LEXICON, INC.



730-06760 CLEAR BAG, 12 X 12
LITERATURE (SEE BOM FOR LISTING)
541-00781 BUMPER FEET (QTY 4)

④

②
730-02821
CLEAR BAG, 18 X 24

⑤
530-10324
CABLE TIE

SEE BOM FOR APPROPRIATE
POWER CORD

⑥

⑦
730-11444
ACCESSORY INSERT

⑨
740-12475
ID LABEL
2 PLCS

③
730-11364
FOAM END CAP
2 PLCS

730-11543
INNER BOX

730-11361
OUTER BOX

REVISIONS			
REV.	DESCRIPTION	DWR/CHKD	Q.C./AUTH
1	REVISE NOTE 3 TO REMOVE PLUGS PER DCR #970717-00 CORRECT ID LABEL P/N PER DCR #970813-00	AN 1/23/98 MK 5/1/98	CW 5/1/98 BAC 5/1/98

NOTES

1. PART NUMBERS SHOWN ARE FOR REFERENCE ONLY AND DO NOT SUPERSEDE BOM #021-11509.
- ② PLACE UNIT IN BAG. FOLD AND TAPE BAG WITH CREASES AND TAPE ON BOTTOM SIDE OF UNIT. USE .75 X 2.5" CLEAR TAPE.
- ③ REMOVE PLUGS FROM THE REAR OF END CAPS. PLACE END CAPS ON BOTH SIDES OF UNIT & SLIDE INTO BOX WITH FRONT PANEL FACING FORWARD, AS SHOWN.
- ④ LITERATURE AND OTHER ITEMS SPECIFIED ON BOM ARE TO BE STACKED IN ORDER OF SIZE, WITH SMALLER ITEMS ON TOP, AND PLACED IN BAG. PUT BUMPER FEET (4) IN BAG WITH LITERATURE. TAPE BAG (WITH .75 X 2.5" CLEAR TAPE) AND PLACE ON TOP OF UNIT.
- ⑤ THREAD TIE THRU HOLES ON INNER FLAP OF ACCESSORY INSERT.
- ⑥ PLACE APPROPRIATE POWER CORD (SEE BOM) ON INNER FLAP OF ACCESSORY INSERT AND HOLD IN PLACE WITH TWIST TIE.
- ⑦ FOLD UP ACCESSORY INSERT LOCKING SIDE TABS IN FRONT SLOTS. TAPE. PLACE IN FRONT END OF INNER BOX WITH FINGER HOLES FACING OUT.
8. CLOSE INNER BOX FRONT FLAPS AND TAPE.
- ⑨ ADD ID LABEL TO INNER BOX IN SPACE PROVIDED AND TO OUTER BOX AS SHOWN ON THIS DRAWING.
10. SLIDE INNER BOX INTO OUTER BOX AND TAPE.

UNLESS OTHERWISE SPECIFIED
DIMENSIONS ARE IN INCHES
TOLERANCES ARE:
DECIMALS: .XX ±.010 ANGLES: ±1/2°
.XXX ±.005

ACAD REL 13 FILE NAME 11564-1	
APPROVALS	DATE
DRAWN AN	6/6/96
CHECKED MK	6/19/97
Q.C. CW	6/19/97
ISSUED BAC	6/20/97

lexicon			
TITLE ASSY DWG, SHIPMENT, MPX G2			
SIZE B	FSCM NO.	DWG. NO. 080-11564	REV. 1
SCALE 1/4			SHEET 1 OF 1

MPX G2	FINISH	APPLICATION	DO NOT SCALE DRAWING
NEXT ASSY	USED ON		

LEXICON, INC.